

F I A T P U N T O



PUNTO

O W N E R H A N D B O O K

## Dear Customer,

Thank you for selecting Fiat and congratulations on your choice of a Fiat Punto.

We have written this handbook to help you get to know all the features of your car and use it in the best possible way.

You should read it right through before taking to the road for the first time.

You will find information, tips and important warnings regarding the driving of your car to help you get the most from the technological features of your Fiat.

Carefully read the warnings and indications marked with the following symbols:



personal safety;



the car's wellbeing;



environmental protection.

The enclosed Warranty Booklet lists the services that Fiat offers to its customers:

- the Warranty Certificate with terms and conditions for maintaining its validity
- the range of additional services available to Fiat customers.

Enjoy the read. Happy motoring!

**This Owner Handbook describes all versions of the Fiat Punto;  
please consider only the information relevant to your version, engine and configuration.**

# READ THIS CAREFULLY!

## REFUELLING





**Petrol engines:** only refuel the car with unleaded petrol with an octane rating (RON) of no less than 95 conforming to the European specification EN228.

The use of petrol that does not conform to the above-mentioned specification may cause the EOBD warning light to switch on and the irregular operation of the engine.

**Diesel engines:** only refuel the car using diesel fuel that conforms to European specification EN590.

## STARTING THE ENGINE



Make sure that the handbrake is properly applied; place the gear lever in neutral; fully depress the clutch pedal, without pressing the accelerator, then turn the ignition key to the MAR position and wait for the  and  warning lights to switch off (diesel versions); turn the ignition key to the AVV position and release it as soon as the engine starts.

## PARKING ON FLAMMABLE MATERIAL



The catalytic converter reaches high temperatures during operation. Do not park the on grass, dry leaves, pine needles or other flammable material: fire hazard.

## RESPECTING THE ENVIRONMENT



The car is fitted with a system that carries out a continuous diagnosis of the emission-related components in order to help protect the environment.

## ELECTRICAL ACCESSORIES



If, after buying the car, you decide to add electrical accessories (with the risk of gradually draining the battery), visit a Fiat Dealership. They can calculate the overall electrical requirement and check that the car's electrical system can support the required load.

## CODE card



Keep this in a safe place, not in the car. You should have the electronic code from the CODE card with you at all times.




## SCHEDULED SERVICING



Correct maintenance of the car is essential for ensuring it stays in tip-top condition and safeguards its safety features, its environmental friendliness and low running costs for a long time to come.

## THE OWNER'S HANDBOOK CONTAINS...



... information, tips and important warnings on the correct use and maintenance of your car over time as well as safe driving tips. Pay special attention to the symbols  (personal safety)  (environmental protection)  (the car's wellbeing).

# KNOWING YOUR VEHICLE

## DASHBOARD

The presence and position of the controls, the instruments and the indicators may vary according to the versions.

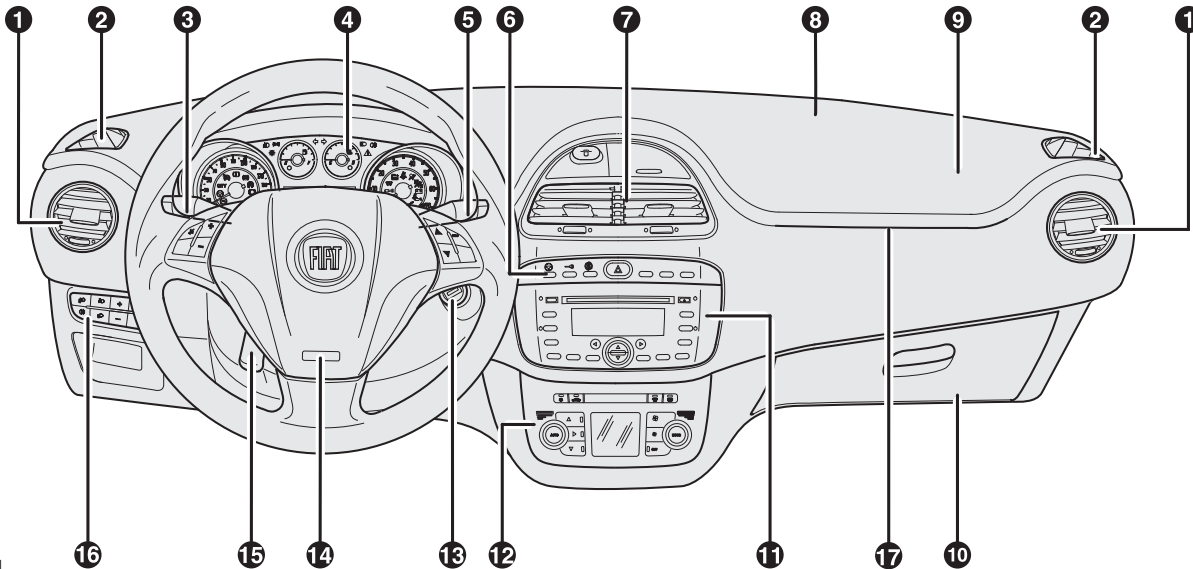


fig. 1

FOU0001m

1. Adjustable side air vents – 2. Fixed side air vents – 3. Left-hand lever: exterior lights control – 4. Instrument panel – 5. Right-hand lever: front and rear windscreen wiper controls, trip computer – 6. Controls on dashboard – 7. Adjustable central air vents – 8. Fixed upper air vent – 9. Front airbag, passenger side – 10. Glove compartment – 11. Sound system (for versions/markets where provided) – 12. HVAC controls – 13. Ignition – 14. Front airbag, driver's side – 15. Steering wheel adjustment lever – 16. Control panel: headlight position adjustment/digital display/multifunction display – 17. Light-guiding plate.

KNOWING  
YOUR  
VEHICLE

SAFETY

STARTING  
AND DRIVING

WARNING LIGHTS  
AND MESSAGES

IN AN  
EMERGENCY

SERVICING  
AND CARE

TECHNICAL  
SPECIFICATIONS

CONTENTS

## SYMBOLS

Special coloured labels have been attached near or actually on some of the components of your Fiat Punto. These labels bear symbols that remind you of the precautions to be taken as regards that particular component.

A plate summarising the symbols used can be found under the bonnet fig. 2.

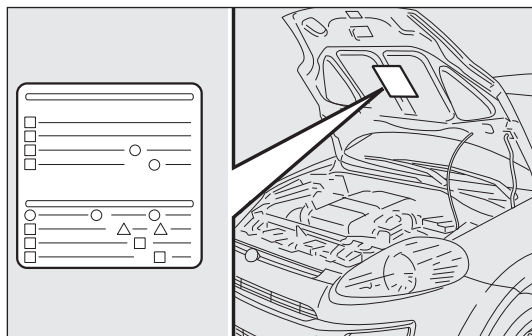


fig. 2

FOU002m

## THE FIAT CODE SYSTEM

This is an electrical engine locking system which increases protection against an attempted theft of the car. It is automatically activated when the ignition key is extracted.


Each key contains an electronic device which modulates the signal emitted during ignition by an antenna built into the ignition device. This signal is the 'password' which changes at each ignition and which the control unit uses to recognise the key and enable ignition.

### OPERATION

Each time the vehicle is started by turning the ignition key to MAR, the Fiat CODE system control unit sends a recognition code to the engine control unit to deactivate the immobiliser.



The code is sent only if the Fiat CODE system control unit has recognised the code transmitted from the key.

Each time the ignition key is turned to STOP, the Fiat CODE system deactivates the functions of the engine control unit.

If the code is not recognised correctly during ignition, the  warning light comes on in the instrument panel.

In this case turn the key to STOP and then to MAR; if the lock persists try again with the spare set of keys. Contact a Fiat Dealership if you still cannot start the engine.

### Warning light comes on when driving

- If the warning light  turns on, this means that the system is running a self-test (for example for a voltage drop).
- If the warning light  stays on, contact a Fiat Dealership.



**The electronic components inside the key may be damaged if the key is subjected to sharp knocks.**

## THE KEYS

### CODE CARD fig. 3

(available on request for versions/markets where provided)

The car is delivered with two copies of the ignition key and with the CODE card, which bears the following:

- A the electronic code;
- B the mechanical key code to be given to the Fiat Dealership when ordering duplicate keys.

You should have the electronic code A-fig. 3 with you at all times.

**IMPORTANT** In order to ensure complete efficiency of the electronic devices inside the keys, they should never be exposed to direct sunlight.

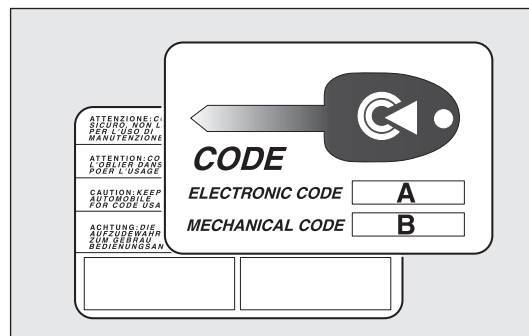


fig. 3

FOU0003m

## KNOWING YOUR VEHICLE

SAFETY

STARTING AND DRIVING

WARNING LIGHTS AND MESSAGES

IN AN EMERGENCY

SERVICING AND CARE

TECHNICAL SPECIFICATIONS

CONTENTS



**All the keys and the CODE card must be handed over to the new owner when selling the car.**

### KEY WITH REMOTE CONTROL fig. 4

The metal insert A operates:

- the ignition;
- the door locks;
- the fuel cap lock/release (for versions/markets where provided);

Pressing button B opens/closes the metal insert.

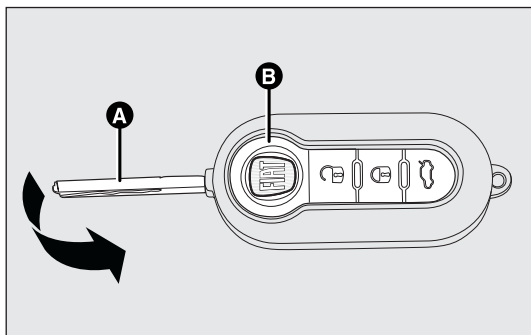


fig. 4

FOU0004m



### WARNING

**Only press button B with the key away from your body, specifically from your eyes and from objects which could get damaged (e.g. your clothes). Do not leave the key unattended to avoid the button being accidentally pressed while it is being handled, e.g. by a child.**

Button  is used for unlocking the doors and the boot.

Button  is used for locking the doors and the boot.

Button  is used to open the boot remotely.

When unlocking the doors, the passenger compartment ceiling lights will come on for a preset time.

## Dashboard LED indications

When locking the doors, the LED A-fig. 5 in the button switches on for about 3 seconds and then starts to flash (as a deterrent).

Once doors are locked, if one or more doors or the boot are not closed correctly, the LED and direction indicators start flashing quickly.

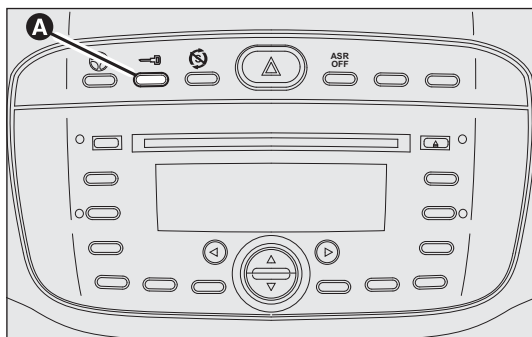

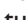


fig. 5

F0U0005m

## Replacing the battery of the key with remote control fig. 6

To replace the battery, proceed as follows:

- press button A and bring the metal insert B to the open position;
- turn the screw C to  using a fine screwdriver;
- take out the battery case D and replace the battery E, respecting its polarity;
- refit the battery case D inside the key and lock it by turning the screw C to .

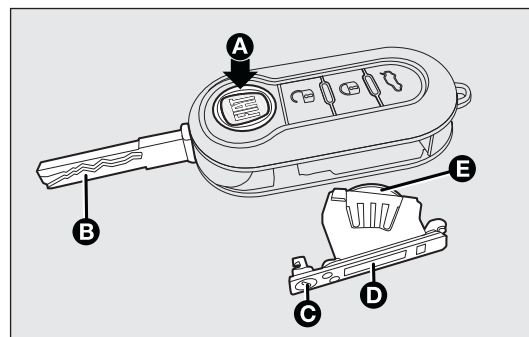


fig. 6

F0U0006m

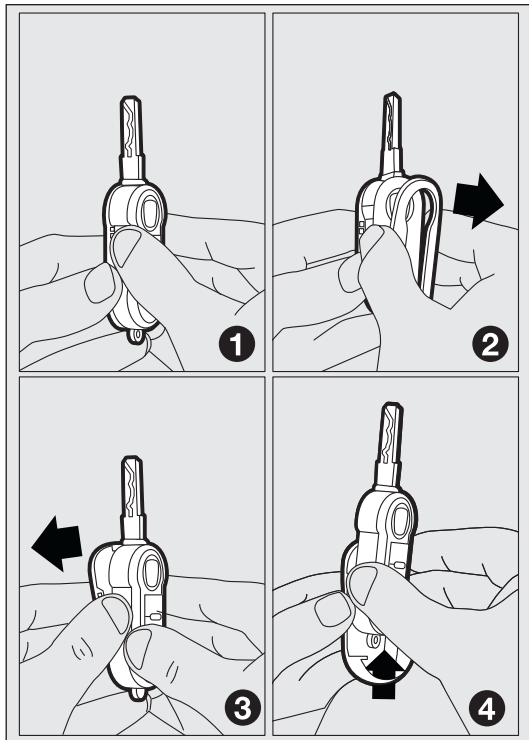


## REPLACING THE REMOTE CONTROL COVER fig. 7

To replace the remote control cover, follow the procedure shown in the diagram.



*Used batteries are harmful to the environment. You can dispose of them either in the correct containers as specified by law or by taking them to a Fiat Dealership, which will deal with their disposal.*



### Requesting additional remote controls

The system acknowledges up to 8 remote controls. Should a new remote control be necessary, contact a Fiat Dealership, taking with you the CODE card, a personal identity document and the car's ownership documents.

## KEY WITHOUT REMOTE CONTROL fig. 8

The metal insert A of the key is fixed.

The key operates:

- the ignition;
- the door locks;
- the fuel tank cap lock (for versions/markets where provided).

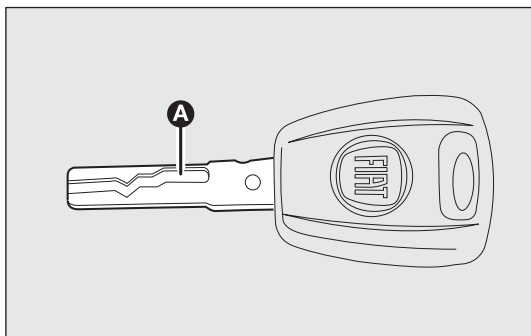


fig. 8

F0U008m

## ALARM

The car's alarm system is available from Lineaccessori Fiat.

### KNOWING YOUR VEHICLE

SAFETY

STARTING AND DRIVING

WARNING LIGHTS AND MESSAGES







IN AN EMERGENCY

SERVICING AND CARE

TECHNICAL SPECIFICATIONS

CONTENTS

The main functions that can be activated with the keys (with or without remote control) are the following:

Type of key	Unlocking the doors	Door locking from the outside	Activating Dead Lock (where provided)	Unlocking the boot	Windows down (where provided)	Windows up (where provided)
Key without remote control	Turn key anticlockwise (driver's side)	Turn key clockwise (driver's side)	–	–	–	–
Key with remote control	Turn key anticlockwise (driver's side)	Turn key clockwise (driver's side)	–	–	–	–
	Press briefly button 	Press briefly button 	Press twice button 	Press briefly button 	Hold down button  (for more than two seconds)	Hold down button  (for more than two seconds)
Direction indicators flashing (only for key with remote control)	blinks twice	blinks once	blinks three times	blinks twice	blinks twice	blinks once
Deterrence LED	Off	Lit for about 3 seconds followed by deterrence LED flashing	Double flash, followed by deterrence flashing	Deterrence LED	Off	Deterrence LED

**IMPORTANT** Window opening operation is a consequence of a door unlocking control; window closing operation is a consequence of a door locking control.

SAFETY

STARTING AND DRIVING

WARNING LIGHTS AND MESSAGES

IN AN EMERGENCY

SERVICING AND CARE

TECHNICAL SPECIFICATIONS

CONTENTS

## IGNITION

The key can be turned to 3 different positions fig. 9:

- STOP: engine off, key can be extracted, steering locked. Some electrical devices (e.g. sound system, central door locking system, etc.) can function.
- MAR: driving position. All electrical devices can function.
- AVV: engine starting (temporary position).

The ignition device is fitted with an electronic safety system that, in the event the engine fails to start, forces you to turn the ignition key back to STOP before repeating the starting operation.

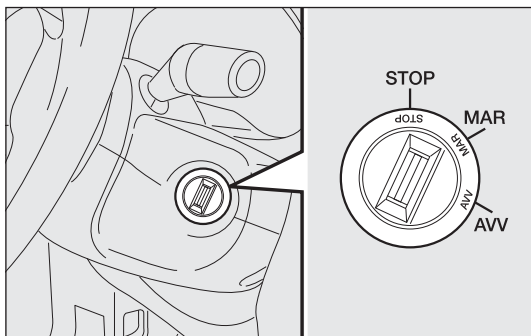


fig. 9

F0U009m



### WARNING

***If the ignition device has been tampered with (e.g. an attempted theft), have it checked over by a Fiat Dealership as soon as possible.***



### WARNING

***When getting out of the car, always remove the key to prevent someone from accidentally activating the controls. Remember to engage the handbrake. Engage first gear if the car is parked uphill or reverse if the car is parked downhill. Never leave children unattended in the car.***

## KNOWING YOUR VEHICLE

SAFETY

STARTING AND DRIVING

WARNING LIGHTS AND MESSAGES

IN AN EMERGENCY

SERVICING AND CARE

TECHNICAL SPECIFICATIONS

CONTENTS

## STEERING LOCK

### Engagement

When the key is at STOP, remove the key and turn the steering wheel until it locks.

### Disengagement

Move the steering wheel slightly as you turn the ignition key to MAR.



#### WARNING

**Never extract the key while the vehicle is moving. The steering wheel would lock automatically as soon as it is turned. This is always the case, even when the vehicle is being towed.**



#### WARNING

**It is absolutely forbidden to carry out any after-sales operation involving steering system or steering column modifications (e.g. installing an anti-theft device) that could badly affect performance and safety, invalidate the warranty and also result in the car failing to comply with regulations.**

# INSTRUMENT PANEL

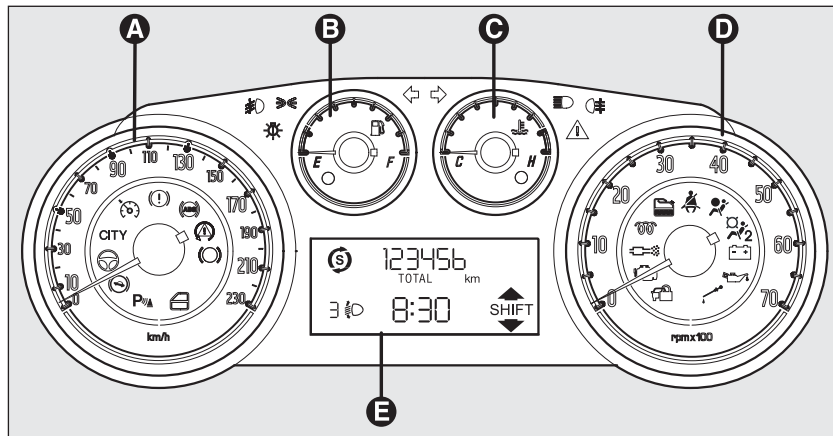


fig. 10

F0U0010m

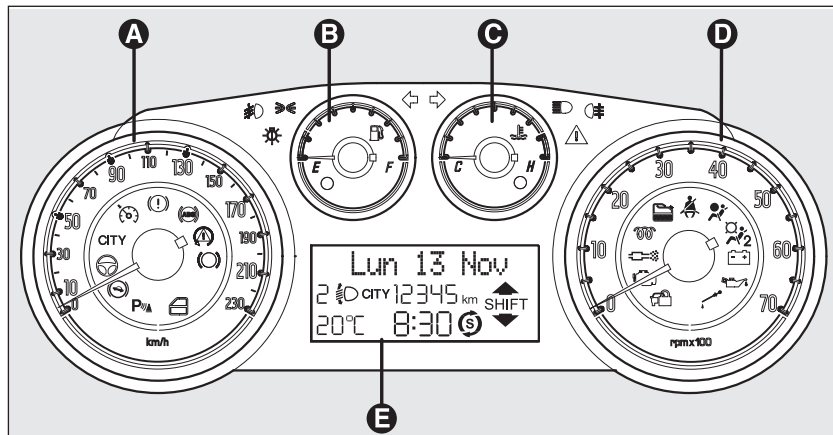


fig. 11

F0U0011m

## Versions with digital display

- A Speedometer
- B Fuel level gauge with reserve warning light
- C Engine coolant temperature gauge with overheating warning light
- D Rev counter
- E Digital display

## Versions with multifunction display

- A Speedometer
- B Fuel level gauge with reserve warning light
- C Engine coolant temperature gauge with overheating warning light
- D Rev counters
- E Multifunction display

**KNOWING  
YOUR  
VEHICLE**

SAFETY

STARTING  
AND DRIVING

WARNING LIGHTS  
AND MESSAGES

IN AN  
EMERGENCY

SERVICING  
AND CARE

TECHNICAL  
SPECIFICATIONS

CONTENTS

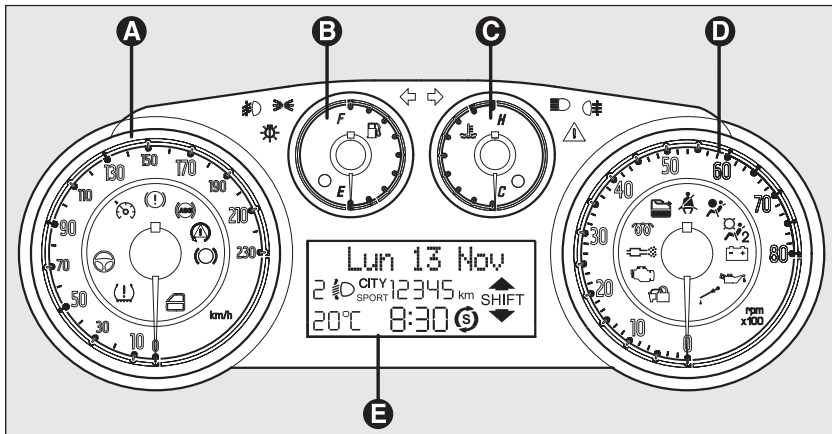


fig. 12

FOU0012m

**Sport versions (with  
multifunction display)**

- A Speedometer
- B Fuel level gauge with reserve warning light
- C Engine coolant temperature gauge with overheating warning light
- D Rev counter
- E Multifunction display

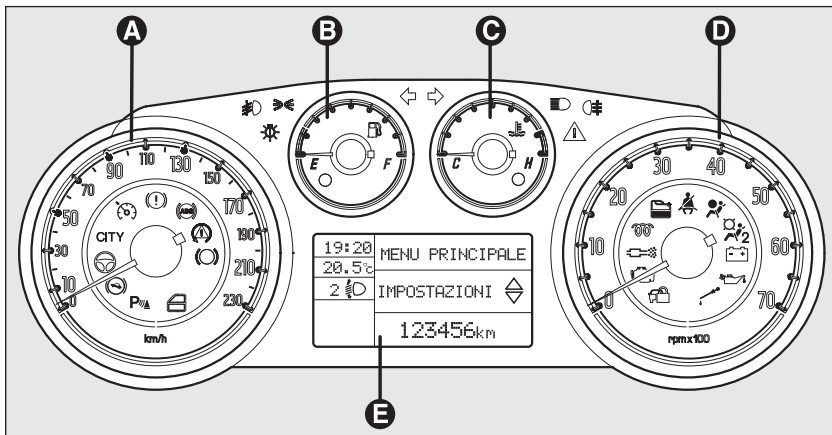


fig. 13

FOU0013m

**Versions with reconfigurable  
multifunction display**

- A Speedometer
- B Fuel level gauge with reserve warning light
- C Engine coolant temperature gauge with overheating warning light
- D Rev counters
- E Reconfigurable multifunction display

# INSTRUMENTS

Instrument background colour and type may vary according to the version.

## SPEEDOMETER fig. 14

This shows the speed of the vehicle.

## REV COUNTER fig. 15

The rev counter shows the number of engine revolutions per minute.

**IMPORTANT** The electronic injection control system gradually shuts off the flow of fuel when the engine is over-revving, resulting in a gradual loss of engine power.

When the engine is idling, the rev counter may indicate a gradual or sudden increase of the rate.

This is normal and does not indicate a fault. It may be

caused, for example, by the operation of the climate control system or fan. In these cases, a slow change in revs is used to protect the battery charge.

## FUEL GAUGE fig. 16

This shows the amount of fuel left in the tank.

E tank empty.

F tank full.

The reserve warning light A comes on to indicate that approximately 7 litres of fuel are left in the tank.

Do not travel with the fuel tank almost empty: the gaps in fuel delivery could damage the catalyst.

See the description in the “Refuelling” paragraph.

**IMPORTANT** The needle will point to E and warning light A will blink to indicate a fault in the system. If this is the case, go to a Fiat Dealership to have the system checked.

### KNOWING YOUR VEHICLE

SAFETY

STARTING AND DRIVING

WARNING LIGHTS AND MESSAGES

IN AN EMERGENCY

SERVICING AND CARE

TECHNICAL SPECIFICATIONS

CONTENTS

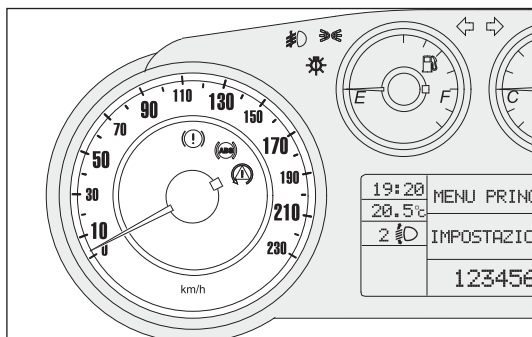


fig. 14

FOU0014m

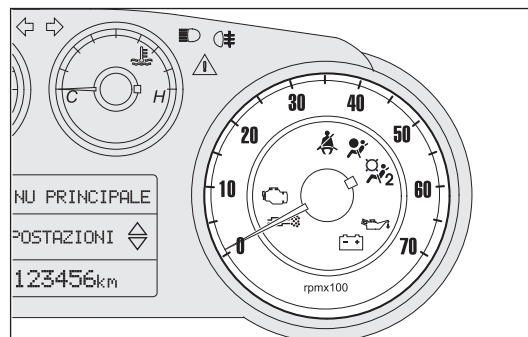


fig. 15

FOU0015m



## ENGINE COOLANT TEMPERATURE GAUGE fig. 17

This shows the temperature of the engine coolant fluid and starts working when the fluid temperature exceeds approx. 50°C.

Under normal usage, the needle should hover around the middle of the scale according to the working conditions.

C Low engine coolant temperature.

H High engine coolant temperature.

Warning light B may light up (and a message on the multifunction display may appear on certain versions) to indicate that the coolant fluid temperature is too high; in this case, stop the engine and contact a Fiat Dealership.



**If the needle reaches the red area, stop the engine immediately and contact a Fiat Dealership.**

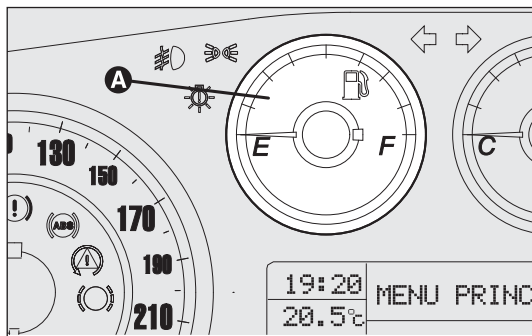


fig. 16

FOU0016m

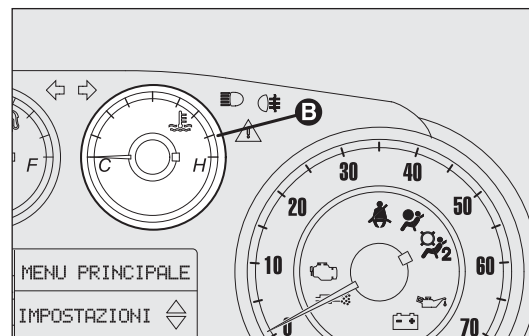


fig. 17

FOU0017m

# DIGITAL DISPLAY

## STANDARD SCREEN fig. 18

The standard screen shows the following information:

- A Headlamp alignment position (only with dipped headlamps on).
- B Time.
- C Odometer (distance covered in kilometres or miles) and TRIP computer data.
- D Start&Stop indicator (for versions/markets where provided)
- E Gear Shift Indicator (for versions/markets where provided).

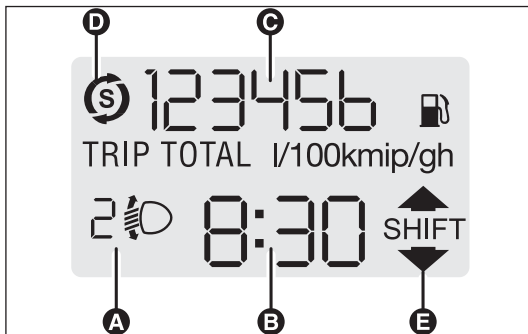


fig. 18

F0U0018m

**NB** With key removed (when opening one of the front doors), the display turns on and shows for a few seconds the time and distance covered.

**NB** The sign on the instrument panel remains on until the driver changes gear or until the driving conditions return to a situation where a gear change is not required to reduce consumption.

### KNOWING YOUR VEHICLE

SAFETY

STARTING AND DRIVING

WARNING LIGHTS AND MESSAGES

IN AN EMERGENCY

SERVICING AND CARE

TECHNICAL SPECIFICATIONS

CONTENTS

## CONTROL BUTTONS fig. 20

**+** To scroll the displayed menu and the related options upwards or to increase the displayed value.

**MENU** Press briefly to display the menu and/or go to next screen or confirm the required menu option.

Hold down to go back to the standard screen.

**–** To scroll the displayed menu and the related options downwards or to decrease the displayed value.

**NB** Buttons **+** and **–** activate different functions according to the following situations:

## Adjusting the car's interior lighting

– on the standard screen, they control instrument panel brightness, the sound system and the automatic climate control system.

### Setup menu

– within the menu, they scroll up and down;

– during setting operations they allow an increase or decrease in value.

## SETUP MENU

The menu comprises a series of functions arranged in a circle which can be selected through the **+** and **–** buttons to access the different operations and settings described in the following paragraphs.

The setup menu can be activated by briefly pressing the MENU ESC button.

Single presses on the **+** and **–** buttons will scroll the setup menu options.

Management modes differ from each other according to the option selected.

### Selecting a menu option

– briefly press the MENU ESC button to select the menu option to set;

– press the **+** and **–** buttons (with single presses) to select the new setting;

– briefly press the MENU ESC button to store the new setting and go back to the previous menu option.

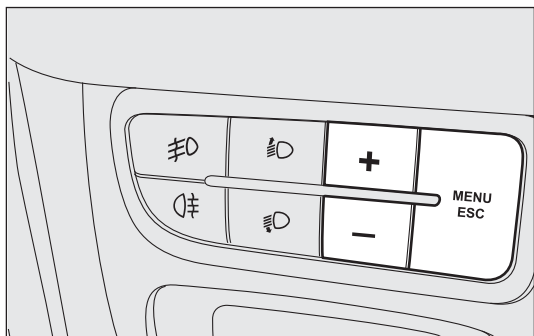


fig. 20

FOU0019m

### Selecting “Set Clock”

- briefly press the MENU ESC button to select the first value to change (hours);
- press the + and – buttons (with single presses) to select the new setting;
- briefly press the MENU ESC button to store the new setting and go to the next setup menu option (minutes);
- after setting the values with the same procedure, go back to the previous menu item.

### Hold down the MENU ESC button:

- to quit the setup menu if you are in the menu;
- to quit to the menu if you are setting an option;
- to save only the settings already stored (and confirmed by pressing the MENU ESC button).

The setup menu environment is timed; when quitting the menu due to timing expiry, only the settings stored by the user are saved (having been confirmed by briefly pressing button MENU ESC).

Briefly press button MENU ESC to start browsing from the standard screen. Press + or – to browse within the menu.

**NB** For safety reasons, only the short menu may be accessed while the car is moving (“SPEEd” setting). Stop the car to access the full menu.

The menu includes the following items:

- SPEEd
- CornEr (for versions/markets where provided)
- Hour
- bUZZ
- Unit
- BAG P
- drl (for versions/markets where provided)

## KNOWING YOUR VEHICLE

SAFETY

STARTING AND DRIVING

WARNING LIGHTS AND MESSAGES

IN AN EMERGENCY

SERVICING AND CARE

TECHNICAL SPECIFICATIONS

CONTENTS

## SPEED (Setting the speed limit)

With this function, it is possible to set the car speed limit (km/h or mph). When this limit is exceeded, the driver is immediately alerted (see section “Warning lights and messages”).

To set the desired speed limit, proceed as follows:

- briefly press MENU ESC. The message (SPEEd) and the previously set unit (km/h or mph) will appear on the display;

- press + or – to select speed limit activation (On) or deactivation (Off);

- if the function is on, press + or – to select the required speed limit and then press MENU ESC to confirm;

**NB** The speed may be set in the range from 30 to 200 km/h, or from 20 to 125 mph according to the previously chosen unit (see “Setting the distance unit (Unit)” below). The setting will increase/decrease by five units each time +/- is pressed. Hold down +/- to increase/decrease the setting rapidly. When you get close to the desired value, finish the setting with single presses.

- briefly press MENU ESC to return to the menu screen or hold the button down to return to the standard screen without saving.

To cancel the setting, proceed as follows:

- press the MENU ESC button briefly to make the display flash (On);

- press -: (Off) will flash on the display;

- briefly press the MENU ESC button to go back to the menu screen or hold the button down to go back to the standard screen without saving.

## CornEr (activate/deactivate cornering lights) (for versions/markets where provided)

This function activates/deactivates the corner lights. To activate/deactivate (ON/OFF) the lights, proceed as follows:

- press the MENU ESC button briefly: the display will show “On” or “Off” flashing depending on the previous setting;

- press + or – to make your choice;

- briefly press the MENU ESC button to go back to the menu screen or hold the button down to go back to the standard screen without saving.

## Hour (Setting the clock)

With this function, it is possible to set the time.

To do so, proceed as follows:

- briefly press MENU ESC: the “hours” will flash on the display;
- press **+** or **-** to set the value;
- briefly press MENU ESC: the “minutes” will flash on the display;
- press **+** or **-** to set the value;
- briefly press the MENU ESC button to go back to the menu screen or hold the button down to go back to the standard screen without saving.

## bUZZ (Adjusting the buzzer volume)

This function is used to adjust the volume of the audible signal (buzzer) that sounds in the event of failure/warning indications and when the MENU ESC, **+** and **-** buttons are pressed.

To set the desired volume, proceed as follows:

- briefly press MENU ESC: the display will show the word- ing (bUZZ);
- press **+** or **-** to select the required volume (adjustable over 8 levels).
- briefly press the MENU ESC button to go back to the menu screen or hold the button down to go back to the standard screen without saving.

## Unit (Setting the distance unit)

With this function, it is possible to set the distance unit.

To do so, proceed as follows:

- briefly press MENU ESC: the display will show the word- ing (Unit) and the previously set unit (km or mi);
- press **+** or **-** to select the required distance unit.
- briefly press the MENU ESC button to go back to the menu screen or hold the button down to go back to the standard screen without saving.

**Bag P  
(Passenger front and side airbag activation/  
deactivation)**

(for versions/markets where available)

This function is used to activate/deactivate the front passenger's air bag.

Proceed as follows:

- press MENU ESC and, after the message BAG P OFF (to deactivate) or BAG P On (to activate) is displayed by pressing buttons + or -, press MENU ESC again;
- the confirmation request message will be displayed;
- press + or - to select YES (confirming activation/deactivation) or no (to abort);
- briefly press MENU ESC to confirm setting and go back to the menu screen or hold the button down to go back to the standard screen without saving.

**drl  
(activate/deactivate daytime running lights)**  
(for versions/markets where provided)

This function allows you to activate/deactivate the daytime running lights.

Proceed as follows to switch this function on or off:

- press the MENU ESC button briefly: the display will show a submenu;
- press the MENU ESC button briefly, the display will show On or Off flashing depending on the previous setting;
- press + or - to change the setting;
- briefly press the MENU ESC button to go back to the submenu screen or hold the button down to go back to the main menu screen without saving;
- hold down MENU ESC again to go back to the standard screen or main menu, depending on which point in the menu you have reached.

## MULTIFUNCTION DISPLAY

(for versions/markets where provided)

The car can be equipped with the multifunction display that, depending on previous settings, shows useful information when driving.

## STANDARD SCREEN fig. 21

The standard screen shows the following information:

- A Date.
- B Odometer (distance covered in km or miles).
- C Time.
- D Outside temperature.
- E Headlamp alignment position (only with dipped headlamps on).
- F Start&Stop indicator (for versions/markets where provided).
- G Gear Shift Indicator (for versions/markets where provided).

**NB** When one of the front doors is opened, the display turns on and shows for a few seconds the time and distance covered.

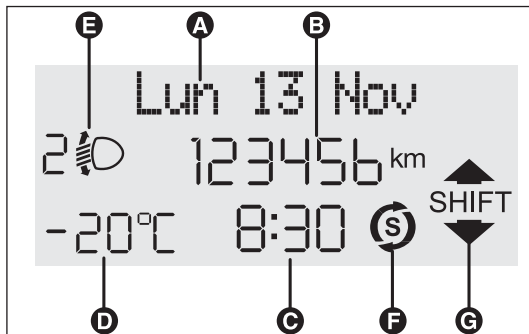


fig. 21

F0U0020m

KNOWING  
YOUR  
VEHICLE

SAFETY

STARTING  
AND DRIVING

WARNING LIGHTS  
AND MESSAGES

IN AN  
EMERGENCY

SERVICING  
AND CARE

TECHNICAL  
SPECIFICATIONS

CONTENTS



## RECONFIGURABLE MULTIFUNCTION DISPLAY

(for versions/markets where provided)

The car may be equipped with a reconfigurable multi-function display that, according to previous settings, will show useful driving information.

### STANDARD SCREEN fig. 24

The standard screen shows the following information:

- A Time
- B Date
- D Odometer (distance travelled in kilometres/miles)

- E Car conditions (e.g. doors open, possible ice on road, etc.)
- F Headlamp alignment position (only with dipped headlamps on).
- G Outside temperature
- H Start&Stop indicator (for versions/markets where provided)
- I Gear Shift Indicator (for versions/markets where provided).

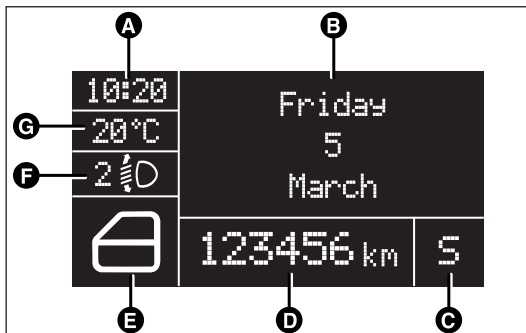


fig. 24

F0U2050g

## CONTROL BUTTONS MULTIFUNCTION DISPLAY/RECONFIGURABLE MULTIFUNCTION DISPLAY fig. 23

**+** To scroll the displayed menu and the related options upwards or to increase the displayed value.

**MENU** Press briefly to access the menu and/or **ESC** go to the next screen or confirm your choice.

Hold down to go back to the standard screen.

**-** To scroll the displayed menu and the related options downwards or to decrease the displayed value.

**NB** Buttons **+** and **-** activate different functions according to the following situations:

### *Adjusting the car's interior lighting*

– on the standard screen, they control instrument panel brightness, the sound system and the automatic climate control system.

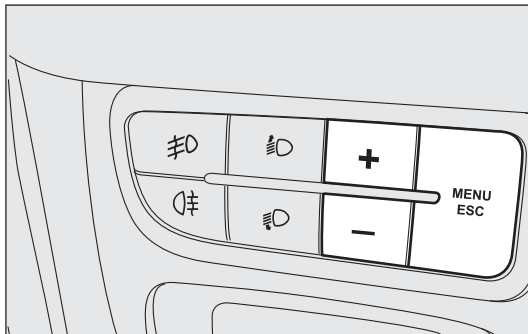


fig. 23

F0U0019m

### *Setup menu*

- within the menu, they scroll up and down;
- during setting operations they allow an increase or decrease in value.

## KNOWING YOUR VEHICLE

SAFETY

STARTING AND DRIVING

WARNING LIGHTS AND MESSAGES

IN AN EMERGENCY

SERVICING AND CARE

TECHNICAL SPECIFICATIONS

CONTENTS

## SETUP MENU (multifunction display/ reconfigurable multifunction display)

The menu comprises a series of functions arranged in a circle which can be selected through the + and – buttons to access the different operations and settings described in the following paragraphs. A submenu is provided for some items (clock and unit setting).

The setup menu can be activated by pressing the MENU ESC button briefly.

Press buttons + and – to scroll the setup menu options.

Management modes differ from each other according to the option selected.

*Selecting an option from the main menu without a submenu*

- Briefly press MENU ESC to select the main menu option you wish to set;

- Press + or – (with single presses) to select the new setting;

- briefly press the MENU ESC button to store the new setting and to go back to the main menu option selected previously.

*Selecting an option from the main menu with a submenu:*

- Briefly press the MENU ESC button to display the first submenu option;

- Press + or – (with single presses) to scroll all the submenu options;

- Briefly press the MENU ESC button to select the displayed submenu option and to open the relevant setup menu;

- Press + or – (with single presses) to select the new setting for this submenu option;

- Briefly press the MENU ESC button to store the new setting and go back to the previous menu option.

*Selecting “Date” and “Set time”:*

- Briefly press MENU ESC to select the first value to change (e.g. hours/minutes or year/month/day);

- Press + or – (with single presses) to select the new setting;

- Briefly press MENU ESC to store the new setting and go to the next setup menu option; if this is the last one you will go back to the previous menu option.

Hold down the MENU ESC button:

- to quit the setup menu if you are in the main menu;
- to quit the main menu if you are in another point of the menu (e.g. at submenu option setting level, at submenu level or at main menu option setting level);
- to save only the settings already stored (and confirmed) by pressing the MENU ESC button).

The setup menu environment is timed. Only the changes saved by the user (having been confirmed by briefly pressing MENU ESC) will be stored when the menu is automatically closed.

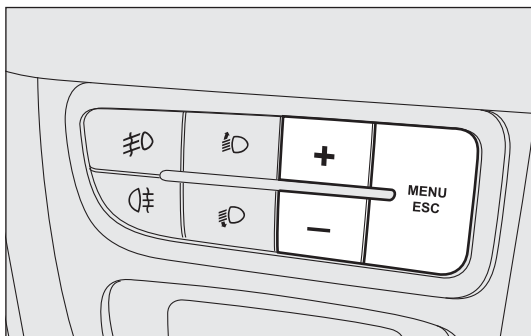


fig. 27

F0U0019m

The menu consists of the following items:

- MENU
- SPEED BEEP
- CORNER LIGHTS  
(for versions/markets where provided)
- RAIN SENSOR  
(for versions/markets where provided)
- TRIP B ACTIVATION/DATA
- SET TIME
- SET DATE
- FIRST PAGE (for versions/markets where provided)
- SEE RADIO
- AUTOCLOSE
- UNITS OF MEASUREMENT
- LANGUAGE
- WARNING VOLUME
- BUTTON VOLUME
- SEAT BELT BEEP/BUZZ
- SERVICE
- AIRBAG/PASSENGER BAG
- DAYTIME RUNNING LIGHTS
- EXIT MENU

## DISPLAY FUNCTIONS (see multifunction display or reconfigurable multifunction display)

### SPEED BEEP (Setting the speed limit)

This function is used to set the car speed limit (km/h or mph); the driver is immediately alerted when this limit is exceeded (see section “Warning lights and messages”).

To set the desired speed limit, proceed as follows:

- briefly press the MENU ESC button: the display will show the words (Speed Beep);
- press + or – to select speed limit activation (On) or deactivation (Off);
- when the function has been activated (On) by pressing buttons + or –, select the speed limit and press MENU ESC to confirm selection.

**NB** You can select a speed between 30 and 200 km/h, or 20 and 125 mph depending on the selected unit, see “Setting measurement unit (Unit)”. The setting will increase/decrease by five units each time + / – is pressed. Hold down +/- to increase/decrease the setting rapidly. Complete the setting with single presses of the button when you approach the required setting.

– briefly press the MENU ESC button to go back to the menu screen or hold the button down to go back to the standard screen without saving.

To cancel the setting, proceed as follows:

- press the MENU ESC button briefly to make the display flash (On);
- press -: (Off) will flash on the display;
- briefly press the MENU ESC button to go back to the menu screen or hold the button down to go back to the standard screen without saving.

## CORNER LIGHTS

### (activation/deactivation of corner lights – fog lights with cornering function)

(for versions/markets where provided)

This function activates/deactivates the corner lights. To activate/deactivate (ON/OFF) the lights, proceed as follows:

- press the MENU ESC button briefly: the display will show “On” or “Off” flashing depending on the previous setting;
- press + or – to make your choice;
- briefly press the MENU ESC button to go back to the menu screen or hold the button down to go back to the standard screen without saving.

## RAIN SENSOR

### (Adjusting sensitivity)

(for versions/markets where provided)

This function allows you to adjust the rain sensor sensitivity over 4 levels.

To set the required sensitivity level, proceed as follows:

- briefly press MENU ESC: the previously set sensitivity level will flash on the display;
- press + or – to set the value;
- briefly press the MENU ESC button to go back to the menu screen or hold the button down to go back to the standard screen without saving.

## TRIP B ACTIVATION/DATA (Trip B enablement)

This function may be used to activate (On) or deactivate (Off) the Trip B display (partial trip).

For more information see the “Trip computer” section.

For activation/deactivation, proceed as follows:

- briefly press MENU ESC: On or Off will flash on the display (depending on previous setting);
- press + or – to make your choice;
- briefly press the MENU ESC button to go back to the menu screen or hold the button down to go back to the standard screen without saving.

## SET TIME (Setting the clock)

This function allows you to set the clock through two sub-menus: “Time” and “Mode”.

To carry out the adjustment, proceed as follows:

- briefly press MENU ESC: the display will show the two submenus “Time” and “Mode”;
- press + or – to switch between the two sub-menus;
- once you have selected a submenu, press MENU ESC briefly;
- *if selecting “Time”*, briefly press MENU ESC – the “hours” will flash on the display;
- press + or – to set the value;
- briefly press MENU ESC: the “minutes” will flash on the display;
- press + or – to set the value;
- *if selecting “Mode”*, briefly press MENU ESC: the mode will flash on the display;
- press + or – to select “24h” or “12h”.

When you have made the required adjustments, briefly press button MENU ESC to go back to the submenu screen or hold the button down to go back to the main menu screen without saving.

– hold down MENU ESC again to go back to the standard screen or main menu, depending on which point in the menu you have reached.

### **Set date (Setting the date)**

Using this function it is possible to change the date (day – month – year).

To update, proceed as follows:

- briefly press MENU ESC: the day (dd) will flash on the display;
- press + or – to set the value;
- briefly press MENU ESC: the month (mm) will flash on the display;
- press + or – to set the value;
- briefly press MENU ESC: the year (yyyy) will flash on the display;
- press the + or – button to make the adjustment.

**NB** Each time the + or – buttons are pressed there is an increase or decrease of one unit. Hold the button down to increase/decrease the setting rapidly. Complete the setting with single presses of the button when you approach the required setting.

– briefly press the MENU ESC button to go back to the menu screen or hold the button down to go back to the standard screen without saving.

### **FIRST PAGE (information displayed on the main screen)** (for versions/markets where available)

This function allows you to choose the information you would like to see on the main screen. You can choose to display the date or the turbocharger boost pressure.

To make your choice, proceed as follows:

- briefly press MENU ESC: “First page” will appear on the display;
- briefly press MENU ESC again to show the display options: “Date” and “Engine info”;
- press + or – to select the information you wish to see on the main page of the display;



– briefly press the MENU ESC button to go back to the menu screen or hold the button down to go back to the standard screen without saving.

When the key is turned to MAR and the initial check stage is over, the display will show the information selected via the “First page” menu function.

### **SEE RADIO (Relaying audio information)**

With this function the display shows information relevant to the sound system.

– Radio: selected radio station frequency or RDS message, automatic tuning activation or AutoSTore;

– CD, MP3: track number;

– CD Changer: CD number and track number;

To show the sound system information in the display (On) or clear it (Off), proceed as follows:

– briefly press MENU ESC: On or Off will flash on the display (depending on previous setting);

– press + or – to make your choice;

– briefly press the MENU ESC button to go back to the menu screen or hold the button down to go back to the standard screen without saving.

### **AUTOCLOSE (Automatic central locking with car moving)**

When activated (On), this function automatically locks the doors when the car speed exceeds 20 km/h.

To activate (On) or deactivate (Off) this function, proceed as follows:

– press the MENU ESC button briefly: the display will show a submenu;

– briefly press MENU ESC: On or Off will flash on the display (depending on previous setting);

– press + or – to make your choice;

– briefly press the MENU ESC button to go back to the submenu screen or hold the button down to go back to the main menu screen without saving;

– hold down MENU ESC again to go back to the standard screen or main menu, depending on which point in the menu you have reached.

## MEASUREMENT UNITS (Setting measurement units)

With this function it is possible to set the measurement units through three sub-menus: “Distance”, “Consumption” and “Temperature”.

To set the desired measurement unit, proceed as follows:

- briefly press MENU ESC to display the three submenus;
- press + or – to switch between the three sub-menus;
- once the submenu to be modified has been selected, briefly press the MENU ESC button;
- *if selecting “Distance”*: briefly press MENU ESC and the display will show “km” or “mi” (depending on the previous setting);
- press + or – to make your choice;
- *if selecting “Consumption”*: briefly press MENU ESC and the display will show “km/l”, “l/100km” or “mpg” (depending on the previous setting);

If the set distance unit is “km”, you can set the fuel consumption unit to km/l or l/100km depending on the amount of fuel consumed.

If the distance unit set is “mi” the fuel consumption unit will be displayed in “mpg”.

- press + or – to make your choice;
- *if selecting “Temperature”*: briefly press MENU ESC and the display will show “°C” or “°F” (depending on the previous setting);
- press + or – to make your choice.

When you have made the required adjustments, briefly press MENU ESC to go back to the submenu screen or hold the button down to go back to the main menu screen without saving.

- hold down MENU ESC again to go back to the standard screen or main menu, depending on which point in the menu you have reached.

## **LANGUAGE** **(Selecting language)**

Display messages can be shown in different languages: Italian, German, English, Spanish, French, Portuguese, Polish, Dutch and Turkish.

To set the required language, proceed as follows:

- briefly press MENU ESC: the previously set language will flash on the display;
- press **+** or **-** to make your choice;
- briefly press the MENU ESC button to go back to the menu screen or hold the button down to go back to the standard screen without saving.

## **WARNING VOLUME** **(Adjusting the failure/warning buzzer volume)**

This function allows the volume of the buzzer which accompanies the display of failures/warnings to be adjusted (over 8 levels).

To set the desired volume, proceed as follows:

- briefly press MENU ESC: the previously set volume level will flash on the display;
- press **+** or **-** to set the value;
- briefly press the MENU ESC button to go back to the menu screen or hold the button down to go back to the standard screen without saving.

## **BUTTON VOLUME** (Adjusting the button volume)

This function may be used to adjust (over 8 levels) the volume of the noise made when the MENU ESC, + e – buttons are pressed.

To set the desired volume, proceed as follows:

- briefly press MENU ESC: the previously set volume level will flash on the display;
- press + or – to set the value;
- briefly press the MENU ESC button to go back to the menu screen or hold the button down to go back to the standard screen without saving.

## **SEAT BELT BUZZ** (SBR buzzer reactivation (for versions/markets where provided)

This function can be displayed only after a Fiat Dealership has deactivated the SBR system (see “SBR system” in the “Safety” section).

## **SERVICE** (Scheduled servicing)

Through this function it is possible to display information related to regular scheduling intervals.

This information can be consulted as follows:

- briefly press MENU ESC: service intervals in km or mi, depending on the previous setting, will be displayed (see “Measurement units”);
- press the MENU ESC button briefly to return to the menu screen or hold the button down to return to the standard screen.

**NB** The “Scheduled Servicing Plan” requires the vehicle to be serviced every 30,000 km (or 18,000 mi). This indication will appear automatically, with the key at MAR, starting from 2,000 km (or 1,240 mi) and will be displayed every 200 km (or 124 mi). Below 200 km the signals become more frequent. The indication will appear in kilometres or miles depending on the unit of measurement settings. When the next scheduled service is approaching, the message “Service” will appear on the display, followed by the number of kilometres or miles left, when the key is turned to MAR. Go to a Fiat Dealership, where the “Scheduled Servicing Plan” operations will be performed and the message will be reset.

## **AIRBAG/PASSENGER BAG (Passenger front and side airbag activation/ deactivation)**

(for versions/markets where available)

This function is used to activate/deactivate the front passenger's air bag.

Proceed as follows:

- press MENU ESC and, after the message BAG P OFF (to deactivate) or BAG P On (to activate) is displayed by pressing buttons + or -, press MENU ESC again;
- the display will show the confirmation request message;
- press + or - to select either Yes (to confirm activation/deactivation) or No (to abort);
- briefly press MENU ESC to confirm setting and go back to the menu screen or hold the button down to go back to the standard screen without saving.

## **DAYTIME RUNNING LIGHTS (D.R.L.)**

(for versions/markets where provided)

This function allows you to activate/deactivate the daytime running lights.

Proceed as follows to switch this function on or off:

- press the MENU ESC button briefly: the display will show a submenu;
- press the MENU ESC button briefly, the display will show On or Off flashing depending on the previous setting;
- press + or - to change the setting;
- briefly press the MENU ESC button to go back to the submenu screen or hold the button down to go back to the main menu screen without saving;
- hold down MENU ESC again to go back to the standard screen or main menu, depending on which point in the menu you have reached.

## **EXIT MENU**

This function closes the cycle of settings listed in the menu screen.

Briefly press MENU ESC to go back to the standard screen without saving.

Press - to return to the first menu option (Speed Beep).

# TRIP COMPUTER

## Introduction

The Trip computer is used to display information on car operation when the key is turned to MAR. This function allows you to define two separate trips, called “Trip A” and “Trip B”, for monitoring the car’s “complete mission” (journey) in a reciprocally independent manner.

Both functions can be reset (reset – start of a new journey).

“Trip A” is used to display the figures relating to:

- Outside temperature
- Range
- Distance travelled
- Average consumption
- Current consumption
- Average speed
- Journey time (driving time).

“Trip B”, available on multifunction display only, is used to display the figures relating to:

- Distance travelled B
- Average consumption B
- Average speed B
- Travel time B (driving time).

**NB** “Trip B” functions may be excluded (see “Trip B on”). “Range” and “Instant consumption” parameters cannot be reset.

## Values displayed

### *Outside temperature*

Indicates the temperature outside the vehicle passenger compartment.

### *Range*

This indicates the approximate distance that may be travelled with the fuel remaining in the tank, assuming that driving conditions do not change. The display will show the reading “----” when the following events take place:

- value lower than 50 km (or 30 mi)
- car left parked with engine running for a long time.

### *Distance travelled*

This value shows the distance covered from the start of the new journey.

### *Average consumption*

This value shows the approximate average fuel consumption from the start of the new journey.

### *Current consumption*

Indicates the fuel consumption. The value is constantly updated. The message “----” will appear on the display if the car is parked with the engine running.

### *Average speed*

This value shows the car’s average speed based on the overall time elapsed since the start of the new journey.

KNOWING  
YOUR  
VEHICLE

SAFETY

STARTING  
AND DRIVING

WARNING LIGHTS  
AND MESSAGES

IN AN  
EMERGENCY

SERVICING  
AND CARE

TECHNICAL  
SPECIFICATIONS

CONTENTS

### *Journey time*

This value shows the time elapsed since the start of the new journey.

**IMPORTANT** If information is not available, the message “----” will appear instead of the Trip Computer values. Counting of the different values will resume regularly when normal operation is restored. This will not reset any of the values displayed before the failure nor start a new journey.

### **TRIP control button fig. 28**

The TRIP button, located on the top of the right steering column stalk, is used (with ignition at MAR) to display and reset the previous values to start a new journey:

- press briefly to display the different values;
- hold down to reset and then start a new journey.

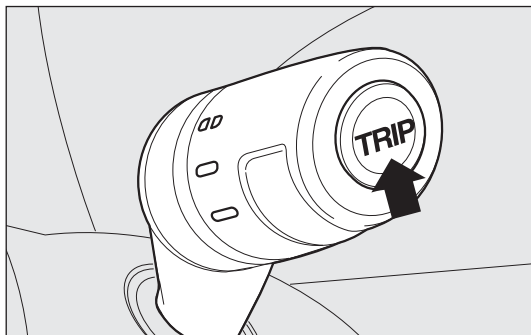


fig. 28

FOU0022m

### **New journey**

The new journey begins after:

- “manual” resetting by the user, by pressing the relevant button;
- “automatic” resetting, when the distance travelled reaches 99,999.9 km or when the journey time reaches 99.59 (99 hours and 59 minutes);
- disconnection and subsequent reconnection of the battery.

**IMPORTANT** The reset operation when “Trip A” details are being displayed resets only the information associated with this function.

**IMPORTANT** The reset operation when “Trip B” details are being displayed resets only the information associated with this function.

### **Start trip procedure**

With the ignition key in the MAR position, reset by pressing the TRIP button and keeping it pressed for more than 2 seconds.

### **Trip Exit**

To quit the Trip function: keep MENU ESC pressed for over 2 seconds.

## FRONTSEATS



### WARNING

Any adjustments should be carried out only when the vehicle is stationary.



The fabric covers on your vehicle have been designed to resist normal wear and tear. Some precautions are however needed.

Avoid prolonged rubbing against clothing accessories, such as metal buckles, bosses, Velcro strips and the like, which by applying a high pressure on the fabric in a small area could cause the breakage of some threads and damage the upholstery.

### Horizontal adjustment fig. 29

Lift the lever A and push the seat forwards or backwards: in the driving position your arms should rest on the rim of the steering wheel.



### WARNING

After releasing the adjustment lever, always check that the seat is locked on the guides by trying to move it back and forth. If it is not locked, the seat may move unexpectedly and make you lose control of the car.

### Height adjustment fig. 29

(for versions/markets where provided)

Move lever B upwards or downwards to achieve the required height.

**IMPORTANT** Adjustment must be carried out only when seated in the relevant seat.

### Backrest angle adjustment fig. 29

Turn knob C.

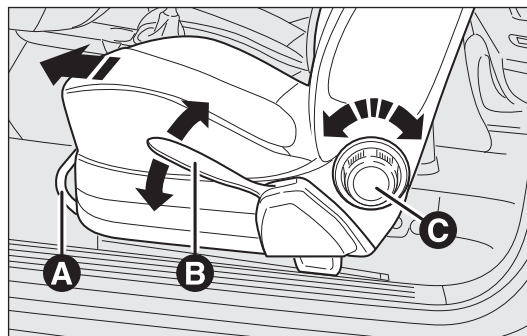


fig. 29

F0U0023m

KNOWING  
YOUR  
VEHICLE

SAFETY

STARTING  
AND DRIVING

WARNING LIGHTS  
AND MESSAGES

IN AN  
EMERGENCY

SERVICING  
AND CARE

TECHNICAL  
SPECIFICATIONS

CONTENTS





**WARNING**

*For maximum protection, keep the back of your seat upright, lean back into it and make sure the seat belt fits closely across your chest and hips.*

**Folding down the backrest (3-door versions)  
fig. 30**

To access the rear seats, pull handle A upwards: the backrest will fold forwards and the seat will slide forwards when you push the backrest.

When you put the backrest back up, the seat will return to its original position (mechanical memory).

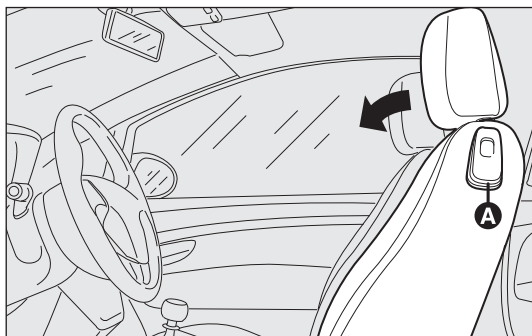


fig. 30

FOU0024m



**WARNING**

*Always check that the seat is properly locked on the guides by trying to push it backwards and forwards.*

**Electric lumbar support adjustment fig. 31  
(for versions/markets where available)**

To adjust the support for your back, use controls E.

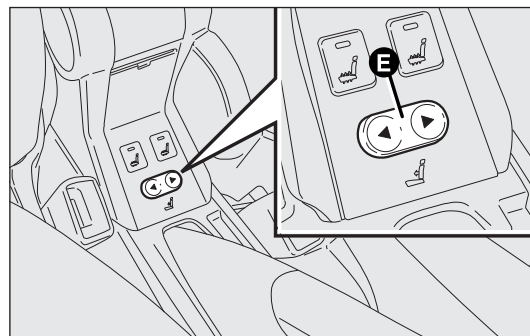


fig. 31

FOU0025m

## Heated seats fig. 32

(for versions/markets where available)

With the key turned to MAR, press button F to switch the function on/off. When the function is enabled, the LED on the button turns on.

## REAR SEATS

To fold the rear seats, refer to the “Extending the boot” paragraph in this section.



*The fabric upholstery of your car is designed to withstand normal wear and tear for a long time. Some precautions are however needed. Avoid prolonged rubbing against clothing accessories, such as metal buckles, bosses, Velcro strips and the like, which by applying a high pressure on the fabric in a small area could cause the breakage of some threads and damage the upholstery.*

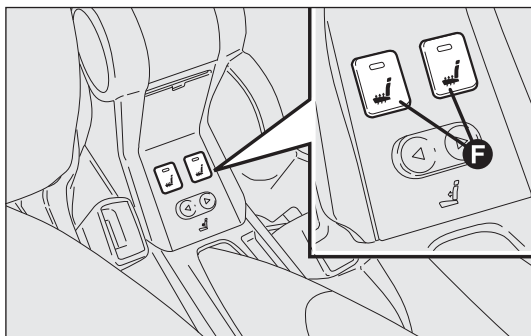


fig. 32

F0U0026m

### KNOWING YOUR VEHICLE

SAFETY

STARTING AND DRIVING

WARNING LIGHTS AND MESSAGES

IN AN EMERGENCY

SERVICING AND CARE

TECHNICAL SPECIFICATIONS

CONTENTS

## HEAD RESTRAINTS

### FRONT HEAD RESTRAINTS fig. 33

On certain versions the head restraints are adjustable in height and they lock automatically in the required position.

To adjust head restraints, proceed as follows:

- upwards adjustment: lift the head restraint until it locks.
- downwards adjustment: press the button A and lower the head restraint.

To extract the front head restraints press buttons A and B simultaneously and release them upwards.

To make the best use of the head restraint protection, adjust the backrest to keep a straight back, with the head as close as possible to its restraint.



#### WARNING

**Head restraints must be adjusted so that the head, rather than the neck, rests on them. Only then can they protect your head correctly.**

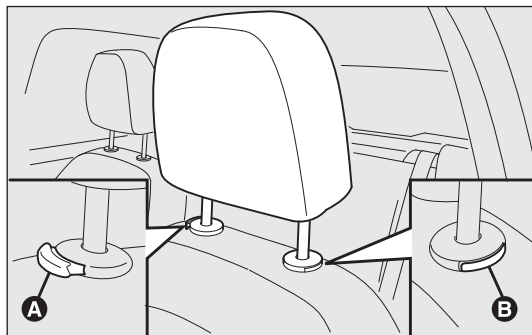


fig. 33

FOU0027m

## REAR HEAD RESTRAINTS fig. 34

(for versions/markets where provided)

To move the head restraint upwards, raise it until hearing the click (position of use).

To bring it back to the position of non-use, press button A and push the head restraint down into the back rest.

To extract the rear head restraints press buttons A and B simultaneously and release them upwards.

**IMPORTANT** When the rear seats are in use, the head restraints must always be in the position of use.

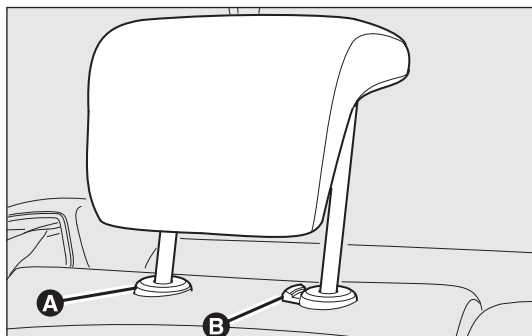


fig. 34

F0U0028m

## STEERING WHEEL

The driver can adjust the height and axial position of the steering wheel.

To carry out the adjustment, proceed as follows:

- release lever A-fig. 35 by pushing it forwards (position 1);
- adjust the steering wheel;
- lock lever A by pulling it towards the steering wheel (position 2).



### WARNING

**Any adjustment of the steering wheel position must be carried out only with the car stationary and the engine turned off.**

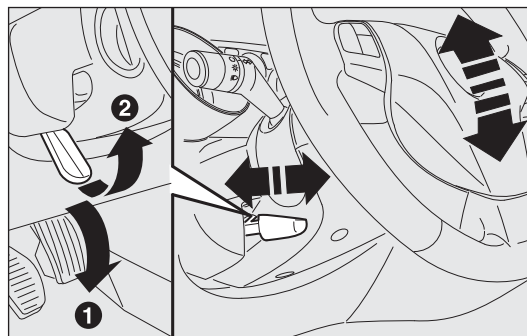


fig. 35

F0U0029m

### KNOWING YOUR VEHICLE

SAFETY

STARTING AND DRIVING

WARNING LIGHTS AND MESSAGES

IN AN EMERGENCY

SERVICING AND CARE

TECHNICAL SPECIFICATIONS

CONTENTS



**WARNING**

*It is absolutely forbidden to carry out any after-market operation involving steering system or steering column modifications (e.g. installing an anti-theft device) that could badly affect performance and safety, invalidate the warranty and also result in the car failing to comply with regulations.*

**MIRRORS**

**REAR-VIEW MIRROR fig. 36**

The mirror is fitted with a safety device that causes its release in the event of a violent impact with the passenger.

Lever A can be used to move the mirror to two different positions: normal or antiglare.

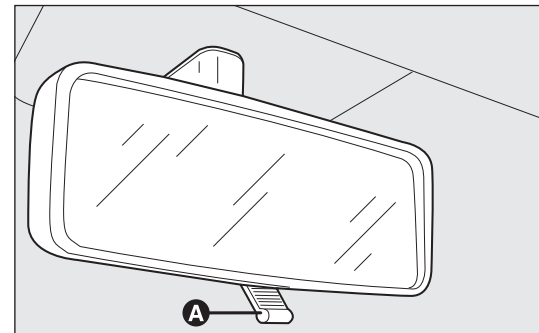


fig. 36

F0U0030m

## ELECTROCHROMIC REAR-VIEW MIRROR

### fig. 37

(for versions/markets where provided)

Some versions have an electrochromic mirror with automatic antiglare function.

When the function is active, LED A on the mirror is lit.

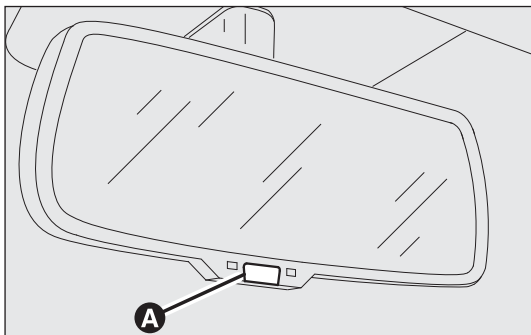


fig. 37

FOU0342m

## WING MIRRORS

### Adjustment fig. 38

This operation is possible only with the key turned to MAR.

To carry out the adjustment, proceed as follows:

- use switch B to select the required mirror (left or right);
- to adjust the mirror, move switch C in the four directions.

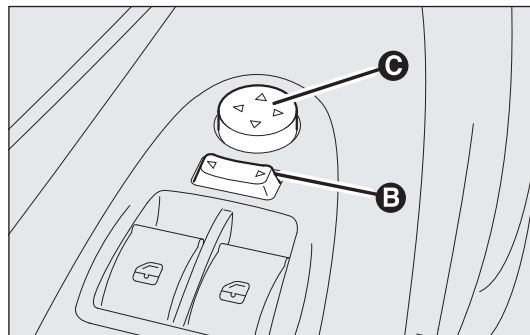


fig. 38

FOU0032m

## Folding

When required (for example when the shape causes difficulty in narrow spaces), it is possible to fold the mirrors by moving them from position 1-fig. 39 to position 2.



**When driving, the mirrors should always be in position 1-fig. 39.**




fig. 39

FOU0033m

## Defrosting/demisting

(for versions/markets where provided)

The mirrors are fitted with resistors that are activated when the heated rear windscreen is turned on (by pressing button )

**IMPORTANT** This function is timed and it will turn off automatically after a few minutes.



### WARNING

**As the driver's wing mirror is curved, it may slightly alter the perception of distance.**

# HEATING AND VENTILATION SYSTEM

F0U0034m

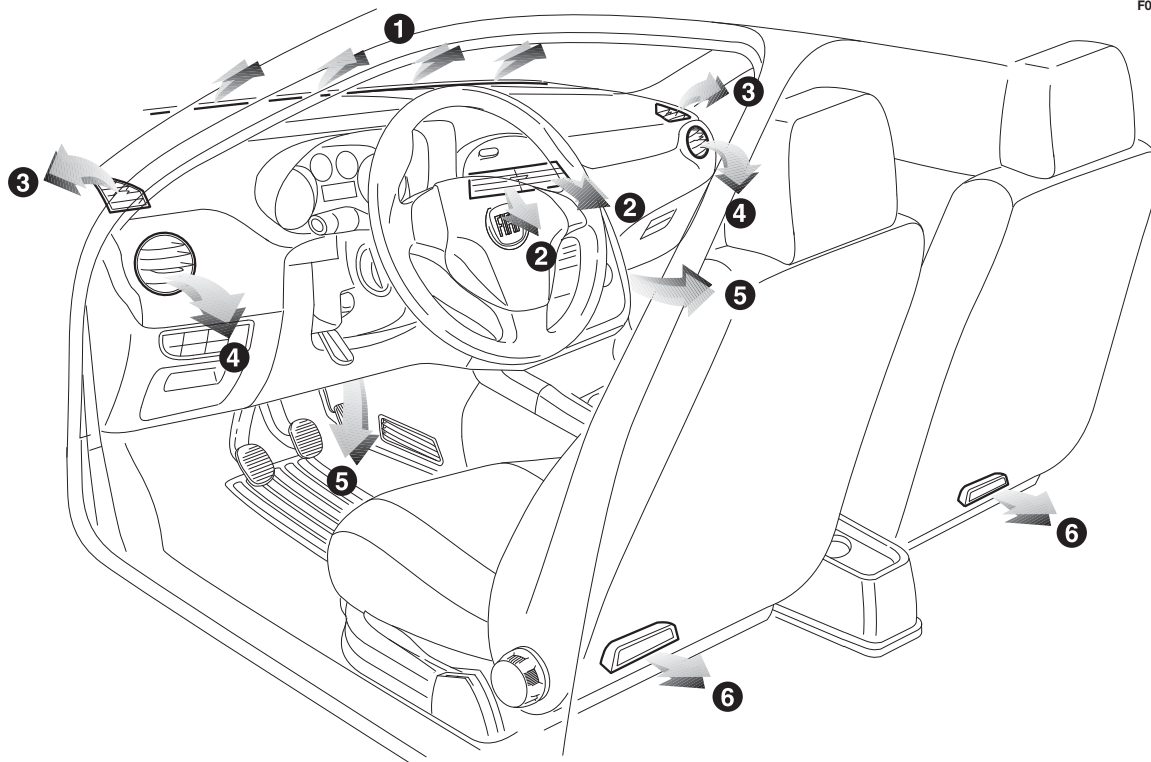


fig. 40

1. Fixed upper vent – 2. Adjustable central vents – 3. Fixed side vents – 4. Adjustable side vents – 5. Lower vents for front seats – 6. Lower vents for rear seats.

KNOWING  
YOUR  
VEHICLE

SAFETY

STARTING  
AND DRIVING

WARNING LIGHTS  
AND MESSAGES

IN AN  
EMERGENCY

SERVICING  
AND CARE

TECHNICAL  
SPECIFICATIONS

CONTENTS



## ADJUSTABLE SIDE AND CENTRE VENTS fig. 41-42-43

- A Fixed vent for side windows.
- B Adjustable side vents.
- C Adjustable centre vents.

Vents A are fixed.

To use vents B and C, adjust them as required.

### OPENING/CLOSING THE VENTS

To open/close the air vents, move the wheel fig. 42.

- = vents closed
- = vents open

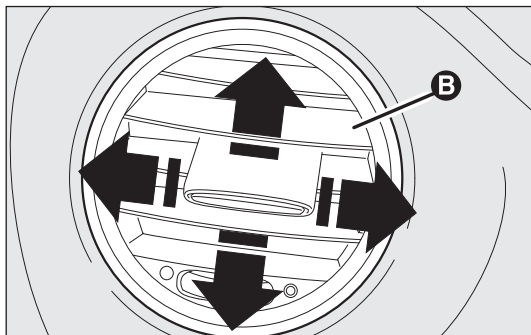


fig. 41

FOU0035m

## CONTROLS fig. 44

**Knob A regulates the air temperature (mixing hot and cold air)**

Red section = hot air

Blue section = cold air

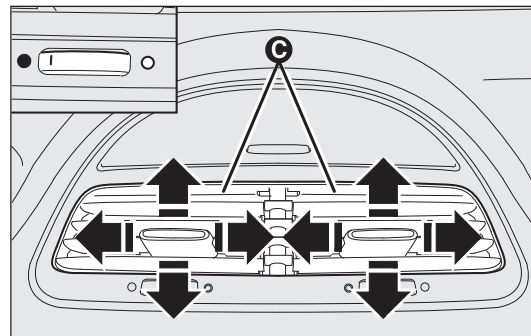


fig. 42

FOU0036m

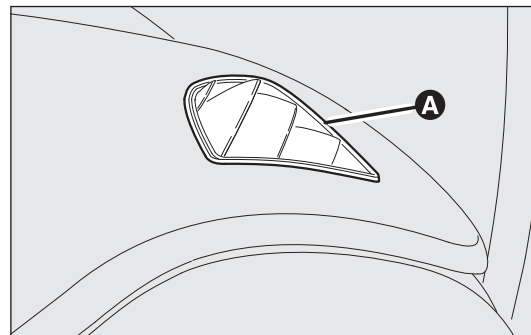



fig. 43

FOU0271m






## Knob B activates/adjusts the fan

 0 = fan off

1-2-3 = fan speed

4  = max. fan speed

## Knob C adjusts air distribution

-  to direct air to the centre and side vents;
-  to send air to the feet and direct cooler air to the dashboard vents, in intermediate temperature conditions;
-  for heating when the outside temperature is very low: to direct as much air as possible to the feet;
-  to warm the feet and, at the same time, demist the windscreen;
-  for quick windscreen demisting.

## Button D turns air recirculation on/off

Press the button (button LED on) to turn the air internal recirculation on.

Press the button (button LED off) to turn air internal recirculation off.

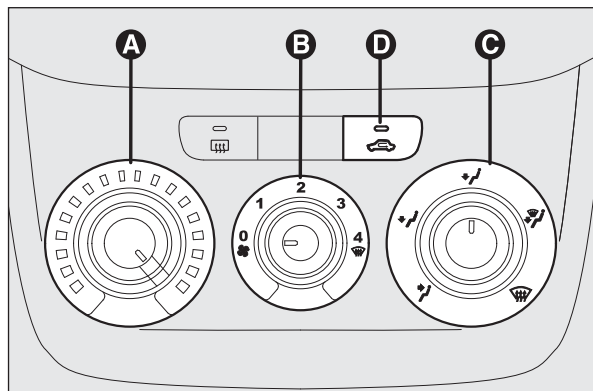



fig. 44

FOM0037m

## PASSENGER COMPARTMENT VENTILATION

To ventilate the passenger compartment properly, proceed as follows:

- turn knob A to blue section;
- turn air recirculation off by pressing button D (button LED off);
- turn knob C to ;
- turn knob B to the required speed.



## PASSENGER COMPARTMENT HEATING

Proceed as follows:

- turn knob A to red section;
- turn knob C to the required position;
- turn knob B to the required speed.

## RAPID PASSENGER COMPARTMENT HEATING

For the rapid heating of the passenger compartment, proceed as follows:



- turn knob A to red section;
- turn air recirculation on by pressing button D (button LED on);
- turn knob C to ;
- rotate knob B to 4  (max. fan speed).

Then use the controls to keep the required comfort conditions and press button D to turn air recirculation off (button LED off) and prevent misting up.

**IMPORTANT** With a cold engine, you have to wait for a few minutes to let the system fluid reach optimum operating temperature.

## FRONT WINDOWS FAST DEMISTING/DEFROSTING (WINDSCREEN AND SIDE WINDOWS)

Proceed as follows:



- turn knob A to red section;
- turn air recirculation off by pressing button D (button LED off);
- turn knob C to ;
- rotate knob B to 4  (max. fan speed).

After demisting/defrosting, operate the controls to restore the required comfort conditions.

### Window demisting

In the event of considerable external moisture and/or rain and/or large differences in temperature inside and outside the passenger compartment, perform the following preventive window demisting procedure:

- turn knob A to red section;
- turn air recirculation off by pressing button D (button LED off);

- turn knob C to  or to position  if the windows do not demist;
- turn knob B to 2nd speed.

## HEATED REAR WINDSCREEN AND WING MIRRORS DEMISTING/DEFROSTING fig. 45

(for versions/markets where provided)

Press the button A to activate this function; once enabled, the light on the button comes on.

This function is timed and will turn off automatically after 20 minutes. Press button A again to switch the function off.

**IMPORTANT** Do not apply stickers on the inside of the rear window over the heating filaments to avoid damage that might cause it to stop working properly.

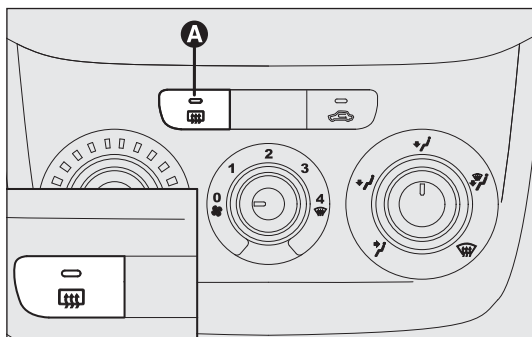


fig. 45

F0U0038m

## INTERNAL air internal recirculation ACTIVATION

Press  so that the button LED is on.

It is advisable to switch the internal air internal recirculation on while standing in queues or in tunnels to prevent the introduction of polluted air. Do not use the function for a long time, particularly if there are many passengers on board, to prevent the windows from misting up.

**IMPORTANT** The air recirculation system makes it possible to reach the required heating or cooling conditions faster.

Do not use the air internal recirculation function on rainy/cold days as it would considerably increase the possibility of the windows misting up.

## MANUAL CLIMATE CONTROL

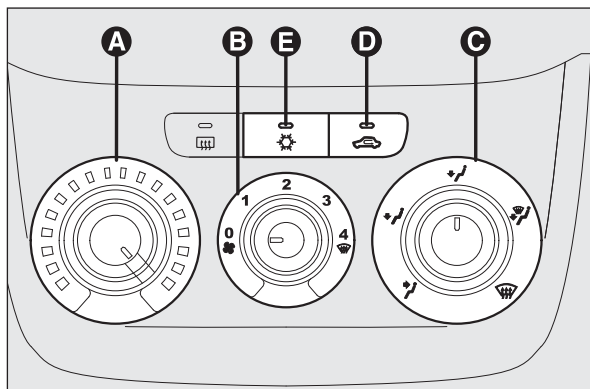
(for versions/markets where provided)

### CONTROLS fig. 46

**Knob A** regulates the air temperature  
(mixing hot and cold air)

Red section = hot air

Blue section = cold air



**Knob B** activates/adjusts the fan

❁ 0 = fan off

1-2-3 = fan speed

4 🌀 = max. fan speed

**Knob C** adjusts air distribution

↙ to direct air to the centre and side vents;

↘ to send air to the feet and direct cooler air to the dashboard vents, in intermediate temperature conditions;

↕ for heating when the outside temperature is very low: to direct as much air as possible to the feet;

↕ to warm the feet and, at the same time, demist the windscreen;

🌀 for quick windscreen demisting.

fig. 46

FOM0039m

### Button D turns air recirculation on/off

Press the button (button LED on) to turn the air internal recirculation on.

Press the button again (button LED off) to turn the air internal recirculation off.


### Button E turns climate control system on/off

Press the button (button LED on) to turn the climate control system on.

Press the button again (button LED off) to turn the climate control system off.



### PASSENGER COMPARTMENT VENTILATION

To ventilate the passenger compartment properly, proceed as follows:

- turn knob A to blue section;
- turn air recirculation off by pressing button D (button LED off);
- turn knob C to ;
- turn knob B to the required speed.

### CLIMATE CONTROL (cooling)

For fast cooling of the passenger compartment, proceed as follows:

- turn knob A to blue section;
- turn air recirculation on by pressing button D (button LED on);
- turn knob C to ;
- press button E to turn the climate control system on; the LED on the button will come on;
- rotate knob B to 4  (max. fan speed).

### Cooling adjustment

- turn knob A to the right to increase the temperature;
- turn air recirculation off by pressing button D (button LED off);
- turn the knob B to reduce the fan speed.



### PASSENGER COMPARTMENT HEATING

Proceed as follows:

- turn knob A to red section;
- turn knob C to the required symbol;
- turn knob B to the required speed.

## RAPID PASSENGER COMPARTMENT HEATING

For the rapid heating of the passenger compartment, proceed as follows:


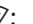
- turn knob A to red section;
- turn air recirculation on by pressing button D (button LED on);
- turn knob C to ;
- rotate knob B to 4  (max. fan speed).

Then use the controls to keep the required comfort conditions and press button D to turn air recirculation off (button LED off).

**IMPORTANT** With the engine cold you have to wait for a few minutes to let the system fluid reach the optimum operating temperature.

## FRONT WINDOWS FAST DEMISTING/DEFROSTING (WINDSCREEN AND SIDE WINDOWS)

Proceed as follows:



- turn knob A to red section;
- rotate knob B to 4  (max. fan speed);
- turn knob C to ;
- turn air recirculation off by pressing button D so the button LED goes out.

After demisting/defrosting, operate the controls to restore the required comfort conditions.

**IMPORTANT** The climate control system is very useful for faster demisting because it dries the air. Adjust the controls as described above and press button E to switch the climate control system on; the LED on the button will light up.

## Window demisting

In the event of considerable external moisture and/or rain and/or large differences in temperature inside and outside the passenger compartment, perform the following preventive window demisting procedure:

- turn knob A to red section;
- turn air recirculation off by pressing button D so the button LED goes out;
- turn knob C to  or to position  if the windows do not demist;
- turn knob B to 2nd speed.

**IMPORTANT** The climate control system is very useful to prevent the windows misting up in the presence of high humidity since it dries the air introduced into the passenger compartment.

## HEATED REAR WINDSCREEN AND WING MIRRORS DEMISTING/DEFROSTING fig. 47 (for versions/markets where provided)

Press the button A to activate this function; once enabled, the light on the button comes on.

This function is timed and will turn off automatically after 20 minutes. Press button A again to switch the function off.

**IMPORTANT** Do not apply stickers on the inside of the rear window over the heating filaments to avoid damage that might cause it to stop working properly.

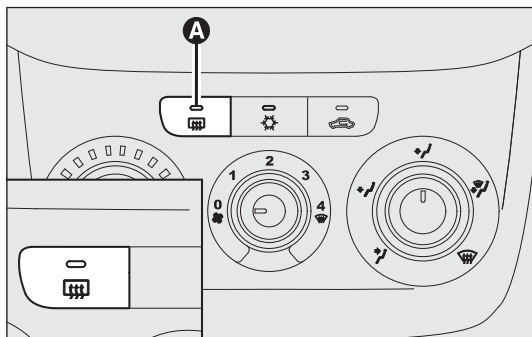


fig. 47

F0U0040m

## INTERNAL AIR INTERNAL RECIRCULATION ACTIVATION

Press  so that the button LED is on.

It is advisable to switch the internal air internal recirculation on while standing in queues or in tunnels to prevent the introduction of polluted air. Do not use the function for a long time, particularly if there are many passengers on board, to prevent the windows from misting up.

**IMPORTANT** The air recirculation system makes it possible to reach the required heating or cooling conditions faster.

Do not use the air internal recirculation function on rainy/cold days as it would considerably increase the possibility of the windows misting up.

## SYSTEM MAINTENANCE

Run the climate control system for at least 10 minutes every month during the winter. Have the system inspected at a Fiat Dealership before the summer.



**The system uses R134a refrigerant fluid which does not harm the environment in the event of accidental leakage. Never use R12 fluid which is not compatible with the system components.**

## KNOWING YOUR VEHICLE

SAFETY

STARTING AND DRIVING

WARNING LIGHTS AND MESSAGES

IN AN EMERGENCY

SERVICING AND CARE

TECHNICAL SPECIFICATIONS

CONTENTS



## TWO-ZONE AUTOMATIC CLIMATE CONTROL

(for versions/markets where provided)

### DESCRIPTION

The car is equipped with a two-zone climate control system which allows you to adjust separately the air temperature on the driver's and the passenger's side.

### CONTROLS fig. 48

- A climate control compressor on/off button
- B air recirculation on/off button
- C climate control system information display
- D button for activating the MAX-DEF function (fast front window defrosting/demisting);
- E heated rear windscreen on/off button
- F MONO function activation button (set temperature alignment) and passenger side temperature adjustment knob
- G climate control on/off button
- H fan speed increase/decrease
- I air distribution selection buttons;
- L AUTO function activation button (automatic operation) and driver side temperature adjustment knob
- M interior air temperature sensor

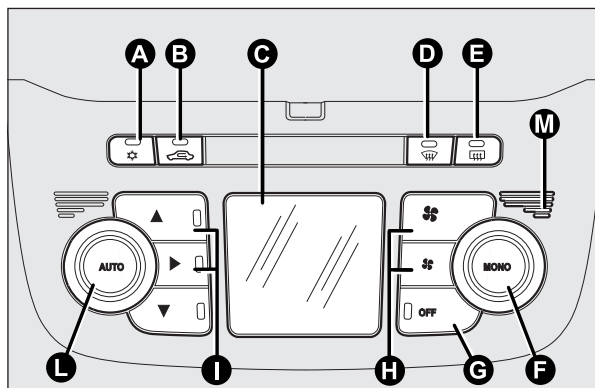


fig. 48

F0M0041m

## SWITCHING ON THE CLIMATE CONTROL SYSTEM

The system can be activated by pressing any of the buttons; it is, however, advisable to set the desired temperatures on the display, then press the AUTO button.

The climate control system allows you to customise the temperatures (driver side and passenger side) with a maximum difference of 7°C.

The climate control system compressor works only with the engine running and with an outside temperature of above 4°C.

## AUTOMATIC FUNCTION OF THE CLIMATE CONTROL SYSTEM (AUTO function)

Press the AUTO button; the system will automatically adjust:

- the amount of air introduced into the passenger compartment;
- the distribution of air inside the passenger compartment; cancelling any previous manual settings.

During climate control system automatic operation, the words FULL AUTO appear on the display.

During automatic operation it is still possible to adjust the set temperature and carry out the following operations manually:

- adjust fan speed;
- select air distribution;
- switch air recirculation on/off;
- switch on the climate control system compressor.



### WARNING


*It is advisable not to use the air recirculation function when the outside temperature is low to prevent the windows from rapidly misting up.*

## REGULATING THE FAN SPEED

Press button  to increase/decrease the fan speed.


The 12 possible speeds are indicated by bars lighting up on the display:

- max fan speed = all bars lit;
- min. fan speed = one bar lit.

The fan can be disabled (no bars lit) only if the climate control compressor has been switched off by pressing button .

To restore automatic fan speed control after a manual adjustment, press AUTO.

## RAPID FRONT WINDOWS DEMISTING/DEFROSTING (MAX-DEF function)

Press button  to automatically activate the timed operation of all the functions required to rapidly demist/defrost the windscreen and front side windows.

### KNOWING YOUR VEHICLE

SAFETY

STARTING AND DRIVING

WARNING LIGHTS AND MESSAGES



IN AN EMERGENCY

SERVICING AND CARE


TECHNICAL SPECIFICATIONS

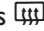
CONTENTS

These functions are:


- climate control compressor engagement (with an outside temperature above 4°C);
- switching off, if previously on, of the interior air recirculation (the LED on button  should be off);
- switching on of heated rear windscreen (the LED on button  should be on) and wing mirror heater coils;
- setting maximum air temperature;
- activation of air flow.

### DEMISTING/DEFROSTING OF HEATED REAR WINDSCREEN AND WING MIRRORS

Press button  to activate; when this function is on, the button LED lights up.

This function is timed and will turn off automatically after 20 minutes. Press  again to disable the function in advance.



**IMPORTANT** Do not apply stickers on the inside of the rear window over the heating filaments to avoid damage that might cause it to stop working properly.



**IMPORTANT** Press  to introduce air from the outside (in this case the LED on the button should be off).

### ACTIVATION OF INTERIOR AIR RECIRCULATION

Press button .

Air recirculation is carried out according to two possible operating modes:

- permanently off (air recirculation always off with introduction of external air), indicated by the LED on button  being off;
- permanently on (air recirculation always on), signalled by the LED on button  being lit up.

When OFF is pressed, the climate control system automatically activates air recirculation (the LED on button  should be on). It is still possible to activate outside air recirculation (LED on the button is off) and vice versa, by pressing button .

**IMPORTANT** The air recirculation system makes it possible to reach the required heating or cooling conditions faster. It is not advisable to switch the air recirculation on when it is rainy/cold or the windows might mist up, especially if the climate control is not turned on. It is advisable to switch the internal air internal recirculation on while standing in queues or in tunnels to prevent the introduction of polluted air. Do not use the function for a long time, particularly if there are many passengers on board, to prevent the windows from misting up.


## SET TEMPERATURE ALIGNMENT (MONO function)

Press the MONO button to align the temperature between the driver side and passenger side.



Then turn the AUTO or MONO knob to increase/decrease the temperature between the two areas by the same amount.

Press MONO again to deactivate the function.



## CLIMATE CONTROL COMPRESSOR ACTIVATION/DEACTIVATION


Press button  to switch on the climate control system compressor.


Compressor on

- the LED on button  is lit up;
- symbol  is shown on the display.




Compressor off






- the LED on button  is lit up;
- symbol  is shown on the display.
- internal air recirculation is prevented.

With the climate control compressor switched off, air cannot be introduced into the passenger compartment at a lower temperature than the outside; in this case the  symbol on the display will flash.

The deactivation of the climate control compressor is memorized even after the engine has stopped. To turn the climate control compressor back on, press button  once again or press AUTO: if you press AUTO, the other manual settings will be cancelled.

## SETTING THE AIR DISTRIBUTION

Press one or more of buttons // to manually select one of the 7 possible air distribution settings for the passenger compartment:

-  Air flow to the windscreen and front side window vents to demist/defrost them.
-  Air flow to the front and rear footwell vents. This air distribution warms up the passenger compartment quickly.
-  Air flow distribution between front and rear vents, centre/side dashboard vents, rear vent and windscreen and front side window demisting/defrosting vents.
-  Air flow distribution to centre/side dashboard vents (passenger's body).
-  Air flow distribution between the footwell vents and the windscreen and front side window demisting/defrosting vents. This distribution setting allows warms up the passenger compartment and prevents the windows from misting up.

↘➡ Air flow distribution between footwell vents (hotter air) and centre/side dashboard vents and rear vent (cooler air).

➡↗ Air flow distribution between centre/side dashboard vents, rear vent and windscreen and front side window demisting/defrosting vents. This distribution setting ventilates the passenger compartment and prevents the windows from misting up.

**IMPORTANT** For the climate control system to function, at least one of the following buttons must be on: ↗/↘/↙. The system does not allow all the buttons ↗/↘/↙ to be switched off.

**IMPORTANT** Push the OFF button to turn the climate control system back on: in this way, all previously saved operating conditions are restored before switching off.

To restore automatic control of the air distribution after a manual selection, press the AUTO button.

## ADDITIONAL HEATER

(for versions/markets where provided)

This device warms up the passenger compartment more quickly when it is very cold and the engine coolant temperature is low.

In these conditions, the device comes on automatically when the engine is started and the fan is on.


The additional heater turns off automatically after reaching the required comfort conditions.

**IMPORTANT** The heater will not turn on if the battery voltage is too low.

## SWITCHING OFF THE CLIMATE CONTROL SYSTEM

Press the OFF button.

The following information is shown on the display:

- the word OFF;
- outside temperature reading;
- indication that air recirculation is switched on (LED on button  is lit).

## EXTERIOR LIGHTS

The left-hand stalk operates most of the external lights. The ignition key has to be in the MAR position for the exterior lights to come on. The instrument panel and the various controls on the dashboard will be lit up when the exterior lights are switched on.

### DAYTIME RUNNING LIGHTS (D.R.L.) fig. 49 (for versions/markets where provided)

With the ignition key turned to MAR and the twist switch turned to position **O** the daytime running lights are automatically activated; the other lights and interior lighting remain off. The daytime running lights function can be switched on/off using the display menus (see “Multifunction display and reconfigurable multifunction display” in this section). If the daytime running lights are deactivated, no light comes on when the twist switch is turned to **O**.

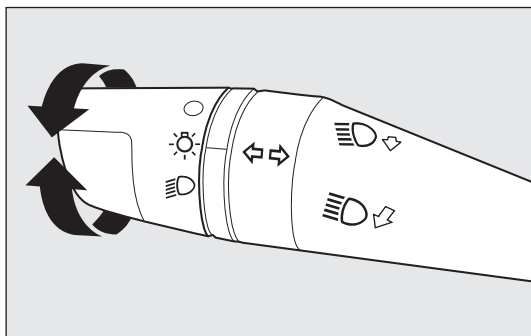


fig. 49

FOU0042m

### DIPPED HEADLAMPS/SIDE LIGHTS fig. 49

With the ignition key turned to MAR, turn the twist switch to **⦿**. If dipped beams are activated, the daytime lights go out and the side lights and dipped beams come on. The light 3 on the instrument panel comes on. When the ignition key is turned to STOP or removed and the twist switch is turned from **O** to **⦿**, all the side lights and tail-lights and number plate lights come on. The **⦿** warning light will come on in the instrument panel.

### MAIN BEAM HEADLIGHTS fig. 49

With the twist switch at position **⦿**, push the stalk forwards toward the dashboard (stable position). The warning light **⦿** on the instrument panel will come on. They switch off when the stalk is pulled towards the wheel (dipped beams come back on).

### FLASHING fig. 49

You can flash the headlights by pulling the stalk towards the wheel (temporary position). The light **⦿** on the instrument panel will come on.



#### WARNING

*The daytime running lights are an alternative to the dipped beam headlights for driving during the daytime in countries where it is compulsory to have lights on during the day, and they are also permitted in those countries where this not obligatory. Daytime running lights cannot replace dipped headlights when driving at night or through tunnels. The use of daytime running lights is governed by the highway code of the country in which you are driving. Keep to the rules.*

KNOWING  
YOUR  
VEHICLE

SAFETY

STARTING  
AND DRIVING

WARNING LIGHTS  
AND MESSAGES

IN AN  
EMERGENCY

SERVICING  
AND CARE

TECHNICAL  
SPECIFICATIONS

CONTENTS

## DIRECTION INDICATORS fig. 50

Put the stalk in the permanent position:

up (position 1): activates the right direction indicator;

down (position 2): activates the left direction indicator.

Lights ⇨ or ⇩ will blink on the instrument panel. The indicators switch off automatically when the steering wheel is straightened.

### Lane change function

If you wish to signal a lane change, put the left stalk in the temporary position for less than half a second. The direction indicator on the selected side flashes three times and then switches off automatically.

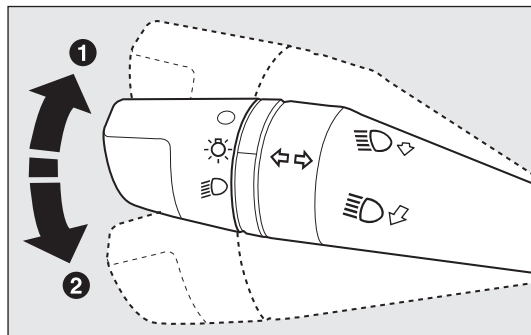


fig. 50

FOU0043m

## “FOLLOW ME HOME” DEVICE

This will light up the space in front of the vehicle for a certain period of time.

### Activation

With the key turned to STOP or removed, pull the left-hand stalk towards the steering wheel within 2 minutes from when the engine is turned off.

Each time the stalk is moved, the lights stay on for an extra 30 seconds up to a maximum of 210 seconds; then the lights are switched off automatically.

The warning light ⇨⇩ on the instrument panel will light up and the corresponding message will appear in the display (see “Warning lights and messages”) for as long as the function is activated. The light comes on when the stalk is first moved and stays on until the function is automatically deactivated. Each movement of the stalk increases only the amount of time the lights stay on.

### Deactivation

Keep the stalk pulled towards the steering wheel for more than 2 seconds.

## FRONT FOG LIGHTS WITH CORNERING LIGHTS FUNCTION

When the dipped headlamps are on and the speed is below 40 km/h, if the steering wheel rotation angle is large or the direction indicators are on, a light (incorporated in the fog light) will come on on the relevant side to improve visibility at nighttime. This function can be activated/deactivated via the display menu (see “Display” in this section).

## WINDOW CLEANING

The right-hand lever fig. 51 controls windscreen wiper/washer and heated rear window wiper/washer operation.

### WINDSCREEN WIPER/WASHER

This operates only with the ignition turned to MAR.

The twist switch on the right stalk can be moved to four different positions:

- windscreen wiper off;
- ⏏ intermittent operation;
- ⏏ continuous slow operation;
- ⏏ continuous fast operation.

Move the stalk to position A (temporary) to limit operation to the time for which the stalk is held in this position.

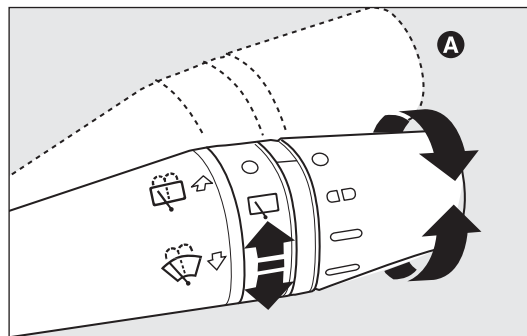


fig. 51

F0U0044m



When released, the stalk returns to its default position and the wipers automatically switch off.

With the twist switch at **0D**, the windscreen wiper will automatically adapt to the speed of the car.

**IMPORTANT** Replace the wiper blades as specified in the “Maintenance and care” section.



***Do not use the windscreen wipers to remove layers of snow or ice from the windscreen. In such conditions, the windscreen wipers may be subjected to excessive stress, prompting intervention from the motor protection which prevents operation for a few seconds. If operation is not restored, even after turning the key and restarting the engine, go to a Fiat Dealership.***

### “Smart washing” function

Pull the stalk towards the steering wheel (temporary position) to operate the windscreen washer.

Keeping the stalk pulled for more than half a second, with just one movement it is possible to operate the washer jet and the wiper at the same time.

The wiper stops working three strokes after releasing the stalk. A further stroke 6 seconds later completes the wiping operation.

## RAIN SENSOR

(for versions/markets where provided)

The rain sensor is located behind the rear-view mirror in contact with the windscreen and has the purpose of automatically adjusting the frequency of the windscreen wiper strokes depending on the intensity of the rain during intermittent operation.

**IMPORTANT** Keep the glass in the sensor area clean.

### Activation

Move the twist switch on the right-hand stalk to **0D** fig. 51. The activation of the sensor is signalled by a wiper stroke. Through the setup menu it is possible to increase the sensitivity of the rain sensor. The increasing of the rain sensor sensitivity is also signalled by a stroke of the wipers. If the windscreen washer is used with the rain sensor activated, the normal washing cycle is performed, after which the rain sensor resumes its normal automatic operation.

### Deactivation

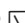
Move the stalk twist switch away from **0D** fig. 51 or turn the ignition key to STOP. When the engine is next started (key at MAR), the sensor will not be reactivated even if the twist switch is still at **0D** fig. 51. To activate the rain sensor, you have to move the twist switch from **0D** to another position and then back to **0D**. Rain sensor activation will be indicated by at least one wiper stroke, even if the windscreen is dry.

The rain sensor is able to recognise, and automatically adjust itself in the presence of, the following particular conditions:

- impurities on the surface (salt, dirt, etc.);
- difference between day and night.

**IMPORTANT** Streaks of water may cause the blades to move unnecessarily.

## REAR WINDOW WIPER/WASHER

This operates only with the ignition turned to MAR. The function stops when the stalk is released. Turning the twist switch from **O** to  will operate the rear window wiper as follows:

- intermittent operation if the windscreen wiper is off;
- synchronised operation (but with half-stroke frequency) when the windscreen wiper is on;
- continuous operation with reverse engaged and function on.

With the windscreen wiper on and reverse gear engaged, rear window wiping will be continuous.

Pushing the stalk towards the dashboard (temporary position) will activate the rear window washer jet.

Keeping the stalk pushed for more than half a second will also activate the rear window wiper.

Releasing the stalk will activate the smart washing function, as described for the windscreen wiper.



**Do not use the rear window wiper to remove layers of snow or ice. In such conditions, the rear window wiper may be subjected to excessive stress, prompting intervention from the motor protection which prevents operation for a few seconds. If operation is not restored, even after turning the key and restarting the engine, go to a Fiat Dealership.**

## KNOWING YOUR VEHICLE

SAFETY

STARTING AND DRIVING

WARNING LIGHTS AND MESSAGES

IN AN EMERGENCY

SERVICING AND CARE

TECHNICAL SPECIFICATIONS

CONTENTS

## CRUISE CONTROL

(for versions/markets where provided)


This is an electronically controlled device which allows the vehicle to be driven at a chosen speed above 30 km/h on long stretches of dry, straight roads with few variations (e.g. motorways), without having to press the accelerator pedal. It is therefore not recommended to use this device on country roads with traffic. Do not use it in town.

### ENGAGING THE DEVICE

Turn twist switch A-fig. 52 to ON.

The cruise control cannot be engaged in 1st or reverse gear. It is advisable to engage it in 4th gear or higher.

When travelling downhill with the device engaged, the car speed may slightly exceed the preset one.

When the device is activated, light  comes on together with the relevant message on the instrument panel (where provided).

### SETTING VEHICLE SPEED

Proceed as follows:

- turn twist switch A-fig. 52 to ON and press the accelerator pedal until you reach the required speed;

- move the stalk upwards (+) for at least one second, then release it. The car speed is now memorised and you can therefore come off the accelerator pedal.

If needed (when overtaking for instance), you can accelerate simply by pressing the accelerator pedal; when you come off the pedal, the car will return to the speed memorised previously.

### RESTORING THE MEMORISED SPEED

If the device has been switched off, for example by pressing the brake or clutch pedal, the memorised speed can be restored as follows:

- accelerate gradually until reaching a speed approaching the memorised speed;
- engage the gear that was selected when you memorised the speed;
- press button RES B-fig. 52.

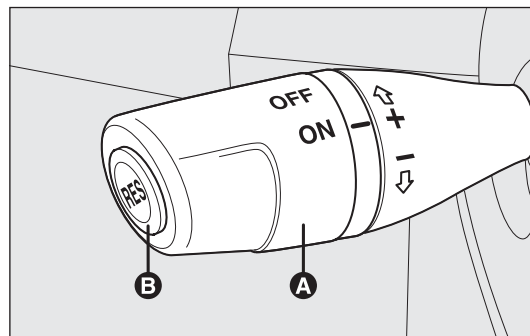


fig. 52

FOU0047m

## INCREASING THE MEMORISED SPEED

This can be done in two ways:

- by pressing the accelerator and then memorising the new speed reached;

or

- moving the stalk upwards (+).

Each movement of the stalk will correspond to an increase in speed of about 1 km/h, while keeping the stalk held upwards will continuously increase the speed.

## REDUCING THE MEMORISED SPEED

This can be done in two ways:

- by turning the device off and then storing a new speed;

or

- by moving the stalk downwards (–) until reaching the new speed which will be memorised automatically.

Each movement of the stalk will correspond to a reduction in speed of about 1 km/h, while keeping the stalk held downwards will continuously reduce the speed.

## DISENGAGING THE DEVICE

The device can be switched off by the driver in the following ways:

- turning twist switch A to OFF;
- switching off the engine;
- pressing the brake pedal;

- pressing the clutch pedal;
- pressing the accelerator pedal; in this case, the system is not really switched off but the request for acceleration takes priority. The cruise control is, however, active and you do not need to press button RES B-fig. 52 to restore the previous conditions when you have finished accelerating.

The device is automatically switched off in the following cases:

- if the ABS or ESP systems cut in;
- if the car speed drops below the preset limit;
- if there is a system failure.



### WARNING

***While travelling with the device engaged, do not put the gear lever into neutral.***



### WARNING

***In case of malfunctioning or if the device fails, turn twist switch A to OFF and contact a Fiat Dealership.***

## CEILING COURTESY LIGHTS

### FRONT CEILING LIGHT WITH MOVABLE LENS

The light will turn on/off by pressing the right or left side as shown in fig. 53.

### FRONT CEILING LIGHT WITH SPOT LIGHTS

Switch A-fig. 54 switches the ceiling courtesy lights on/off.

With switch A-fig. 54 in the centre, lights C and D come on/go off when front doors are opened/closed.

With switch A-fig. 54 pressed to the left, lights C and D are always off.

With switch A-fig. 54 pressed to the right, lights C and D are always on.

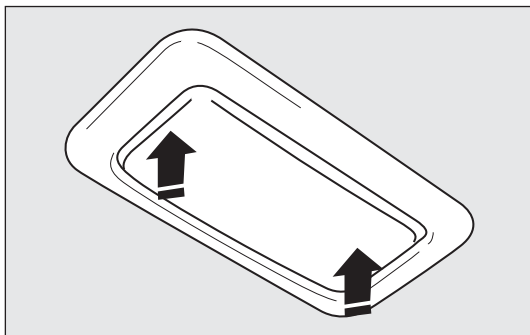


fig. 53

FOU0048m

The lights switch on/off gradually.

Switch B-fig. 54 controls the spot light function; when the ceiling light is off, it switches the following on individually:

- light C if pressed on the left side;
- light D if pressed on the right side.

**CAUTION** Before getting out of the car, make sure both switches are in the centre; when the doors are closed, the lights switch off to prevent the battery running down.

In any case, if the switch is left in on position, the courtesy light switches off automatically 15 minutes after the engine switching off.

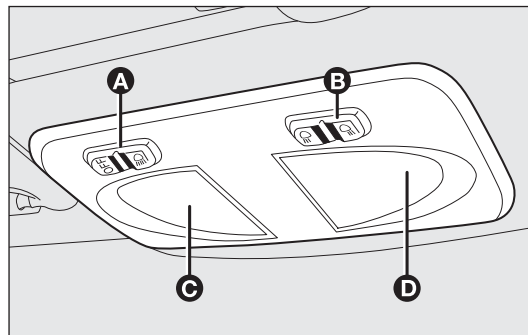


fig. 54

FOU0049m

## Courtesy light timing

On certain versions, to facilitate getting in/out of the car at night or in poorly-lit areas, two timed modes have been provided.

### TIMED OPERATION FOR GETTING INTO THE VEHICLE

The courtesy lights switch on according to the following modes:

- for about 10 seconds when unlocking the front doors;
- for about 3 minutes when opening one of the side doors;
- for about 10 seconds when closing the doors.

The timed period is interrupted when the ignition is turned to MAR.

### TIMED OPERATION FOR GETTING OUT OF THE VEHICLE

After removing the key from the ignition, the courtesy lights switch on according to the following modes:

- within 2 minutes from turning the engine off for about 10 seconds;
- when opening one of the side doors for about 3 minutes;
- when one of the doors is closed for a period of about 10 seconds.

Timing will stop automatically when the doors are locked.

## KNOWING YOUR VEHICLE

SAFETY

STARTING AND DRIVING

WARNING LIGHTS AND MESSAGES

IN AN EMERGENCY

SERVICING AND CARE

TECHNICAL SPECIFICATIONS

CONTENTS

**BOOT COURTESY LIGHT fig. 55**

(for versions/markets where provided)

On versions where it is fitted, the light comes on automatically when the boot is opened and goes out when it is closed.

**PUDDLE LIGHTS fig. 56**

(for versions/markets where provided)

These lights A are located in the doors and they turn on when the relevant door is opened, regardless of the ignition key position.

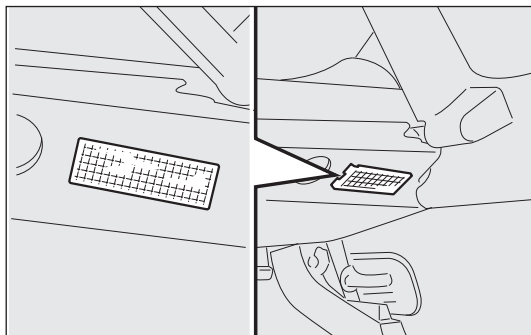


fig. 55

FOU0051m

**COURTESY LIGHT fig. 57**

(for versions/markets where provided)

On some versions a courtesy light is fitted behind the passenger-side sun visor. Use button A-fig. 57 to turn the light on/off.

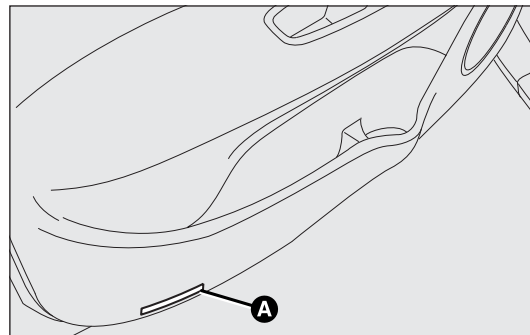


fig. 56

FOU0052m

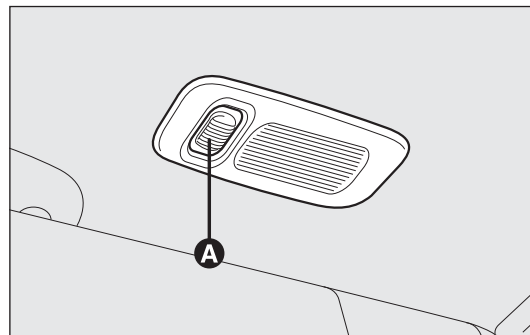




fig. 57

FOU0053m

# CONTROLS

## HAZARD WARNING LIGHTS fig. 58



They are turned on by pressing switch A, regardless of the position of the ignition key.

When the device is on, the lights  and  on the instrument panel come on.

Press the switch again to turn the lights off.

The use of hazard lights is governed by the highway code of the country you are in. Keep to the rules.

## Emergency braking

During emergency braking, the hazard warning lights come on automatically and lights  and  on the panel also come on. The function switches off automatically when the nature of the braking changes. This function complies with the relevant legal regulations currently in force.

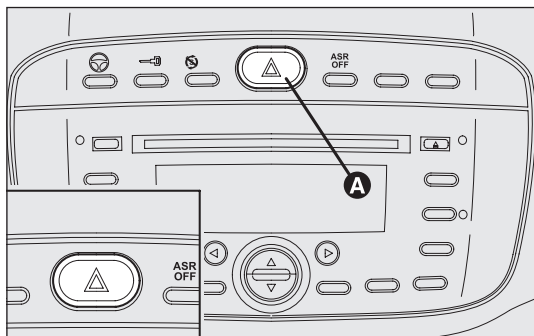





fig. 58

FOU0054m


## PARKING LIGHTS

These lights can be turned on only with the ignition key at STOP or removed, by moving the left stalk twist switch first to  and then to  or .

The  light on the instrument panel comes on.

## FRONT FOG LIGHTS fig. 59

(for versions/markets where provided)

To turn the front fog lights on, press the button  with the side lights on.

The  light on the instrument panel will come on.

Press the button again to turn the lights off.

The use of fog lights is governed by the highway code of the country in which you are driving. Keep to the rules.

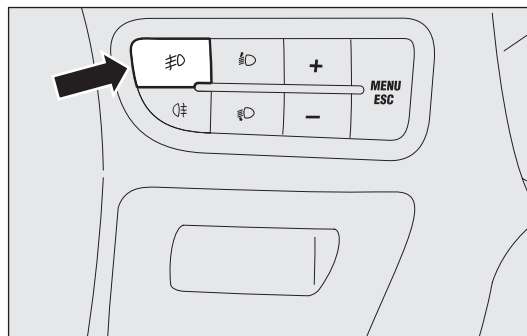


fig. 59

FOU0055m

KNOWING  
YOUR  
VEHICLE

SAFETY

STARTING  
AND DRIVING

WARNING LIGHTS  
AND MESSAGES

IN AN  
EMERGENCY


SERVICING  
AND CARE

TECHNICAL  
SPECIFICATIONS

CONTENTS



## REAR FOG LIGHTS fig. 60

Press button  to turn these lights on with the dipped beam headlights or the front fog lights (where provided) switched on.

The  light on the instrument panel will come on.

Press the button again to turn the lights off, or turn off the dipped beams and/or the front fog lights (where provided).

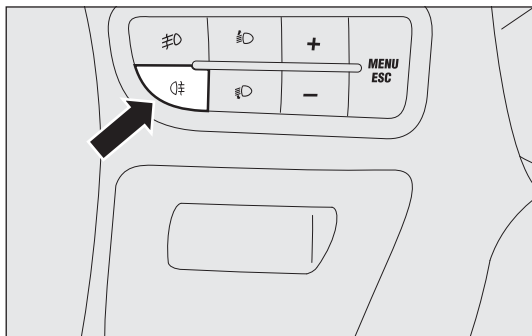


fig. 60

FOU0056m

The use of rear fog lamps is governed by the Highway Code of the country you are in. Keep to the rules.

## DUALDRIVE ELECTRIC POWER STEERING SYSTEM fig. 61

Press button A to activate the “CITY” function (see the “Electric power steering system” paragraph in this section). When the function is active, the word CITY is lit up on the instrument panel. Press the button again to deactivate the function.

## HEATED REAR WINDOW fig. 62

Press button A to turn this function on. It will turn off automatically after about 20 minutes.

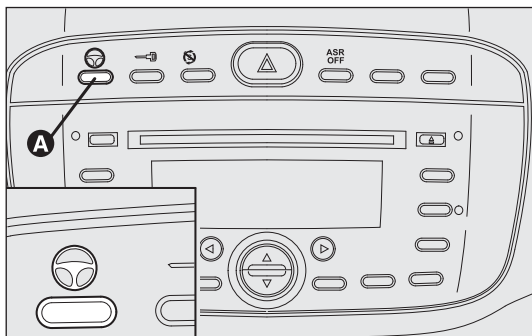


fig. 61

FOU0057m

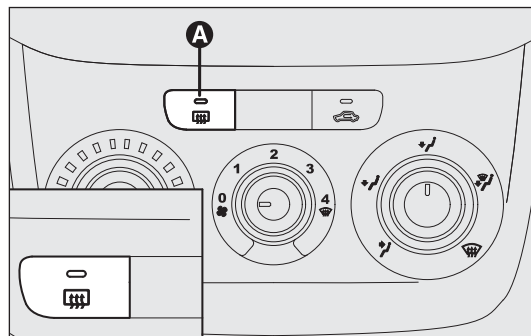


fig. 62

FOU0038m

## DOOR LOCKING fig. 63

To lock all doors at the same time, press button A, located on the centre console control panel, regardless of the position of the ignition key.

## FUEL CUT-OFF SYSTEM

This system triggers after a collision and activates the following:

- cut-off of fuel supply with consequent switching off of the engine;
- automatic door unlocking;
- switching on of all interior lights.

The intervention of the system is indicated by a message shown on the display. Carefully check the car for fuel leaks, for instance in the engine compartment, under the car or near the tank area. After a crash, turn the key to STOP to avoid draining the battery.

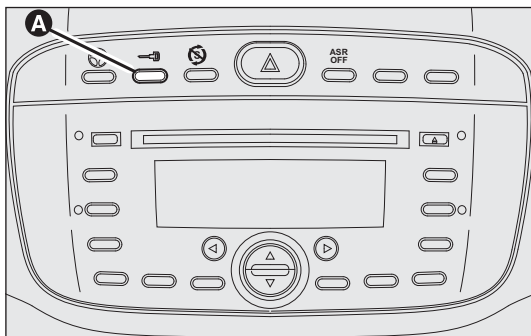


fig. 63

F0U0005m



## WARNING

*If, after a crash, you smell fuel or notice leaks from the fuel system, do not reactivate the system to avoid the risk of fire.*

## Door unlocking in the event of an accident

If the fuel cut-off system activates following an accident, the doors will be automatically unlocked to allow access to the passenger compartment and the ceiling lights will be switched on at the same time. The doors can always be opened from the inside of the car by using the appropriate controls. If no fuel leakage is found and the car is road-worthy, ensure the correct operation of the vehicle by adhering to the following instructions.

The following procedure should be carried out to restore the correct operation of the vehicle:

- turn the ignition key to MAR;
- activate the right-hand indicator;
- deactivate the right-hand indicator;
- activate the left-hand indicator;
- deactivate the left-hand indicator;
- activate the right-hand indicator;
- deactivate the right-hand indicator;
- activate the left-hand indicator;
- deactivate the left-hand indicator;
- turn the key to STOP.

## KNOWING YOUR VEHICLE

SAFETY

STARTING AND DRIVING

WARNING LIGHTS AND MESSAGES

IN AN EMERGENCY

SERVICING AND CARE

TECHNICAL SPECIFICATIONS

CONTENTS

## INTERIOR FITTINGS

### GLOVE COMPARTMENT fig. 64

Use the handle A-fig. 64 to open the compartment. The glove compartment features a document shelf.

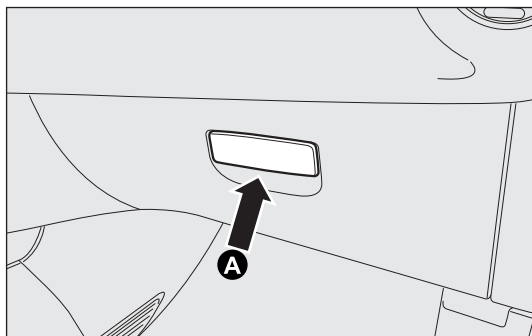


fig. 64

F0U0058m

### COMPARTMENTS IN THE GLOVE BOX

Inside the glove compartment, for versions/markets where provided, there may be a card carrier A-fig. 65, a pen holder B, a document shelf C and an oddments compartment D.

To access the document shelf, use the handle to remove it from its housing by pulling in the direction shown by the arrow in fig. 65.

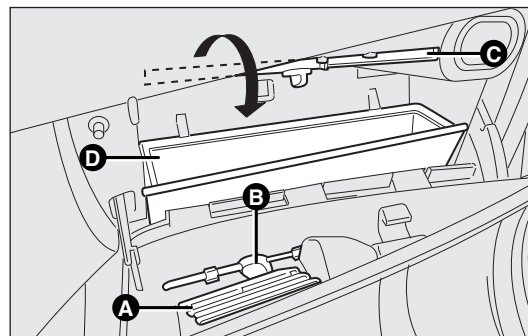


fig. 65

F0U0272m

## SIDE ODDMENTS COMPARTMENT

Storage compartment A-fig. 67 is located to the left of the steering wheel.

It is built into the dashboard.

To open and close the compartment, use handle B located on the flap fig. 66.

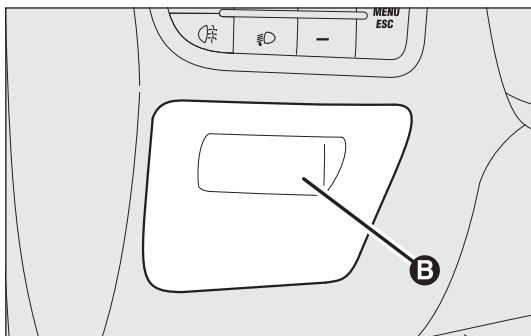


fig. 66

FOU0060m

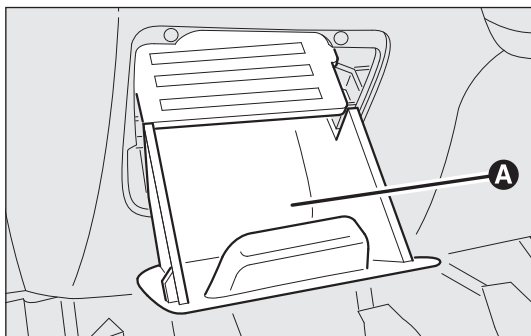


fig. 67

FOU0061m

## COMPARTMENT IN CENTRAL CONSOLE

Compartment A-fig. 68 is located on the central console in front of the handbrake.

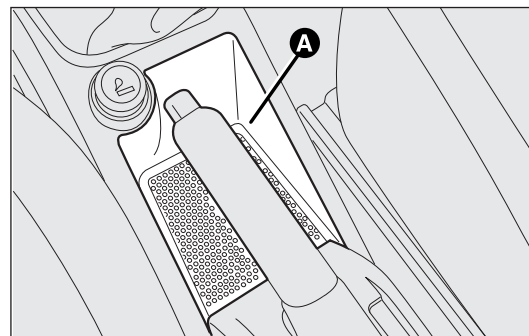


fig. 68

FOU0062m

## KNOWING YOUR VEHICLE

SAFETY

STARTING AND DRIVING

WARNING LIGHTS AND MESSAGES

IN AN EMERGENCY

SERVICING AND CARE

TECHNICAL SPECIFICATIONS

CONTENTS

## FRONT ARMREST WITH STORAGE COMPARTMENT

(for versions/markets where provided)

Certain versions are fitted with an armrest A-fig. 69 between the front seats.

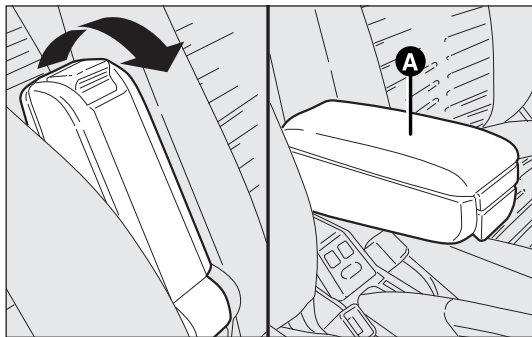


fig. 69

FOU0064m

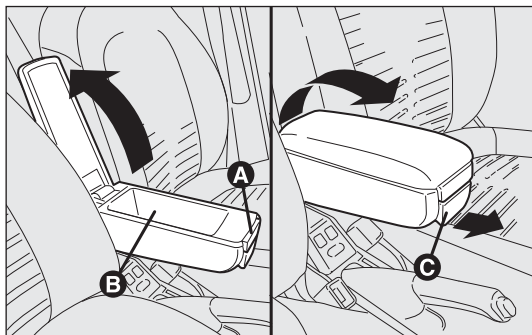


fig. 70

FOU0065m

To bring this to the standard position of use, push it down as shown in fig. 69.

Press button A-fig. 70 to raise the top of the armrest in order to use storage compartment B. Use lever C to tilt down the armrest with respect to its normal position.

## DOOR POCKETS fig. 71

There are document/map pockets and a bottle holder built into each of the door panels.

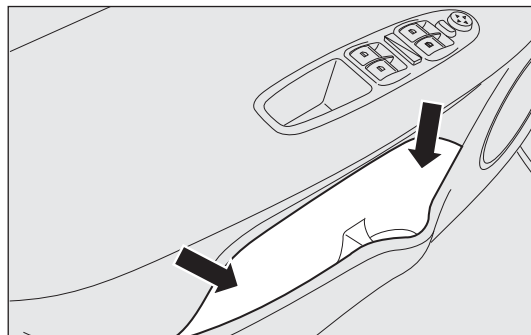


fig. 71

FOU0063m

## CAN HOLDERS fig. 72-73

There are two cup/can holders on the central console in front of the handbrake and one behind it.

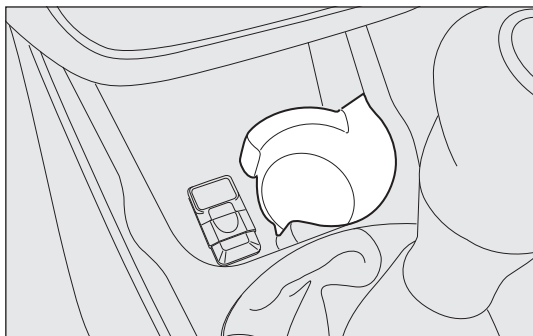


fig. 72

FOU0066m

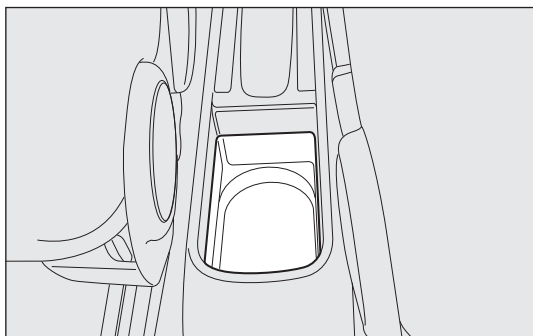


fig. 73

FOU0067m

## CARD/TICKET HOLDERS fig. 74

The central console has slots where you can keep telephone cards, tickets, CDs etc.

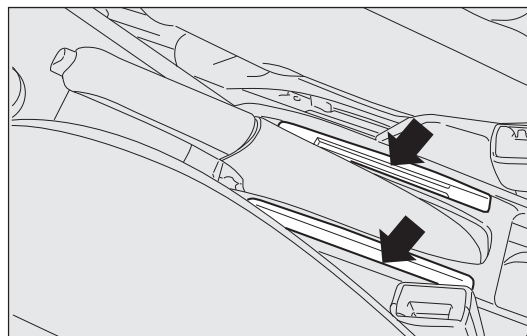


fig. 74

FOU0068m

**KNOWING  
YOUR  
VEHICLE**

SAFETY

STARTING  
AND DRIVING

WARNING LIGHTS  
AND MESSAGES

IN AN  
EMERGENCY

SERVICING  
AND CARE

TECHNICAL  
SPECIFICATIONS

CONTENTS

**CIGARETTE LIGHTER fig. 75**  
(for versions/markets where provided)

This is located on the central console in front of the hand-brake. Press button A to switch on the cigarette lighter when the ignition key is turned to MAR.

After about 15 seconds, the button will return to its original position and the cigarette lighter is ready for use. For versions/markets where provided, there may be an electrical socket in place of the cigarette lighter.

**IMPORTANT** Always check that the cigarette lighter has turned itself off.



**WARNING**

*The cigarette lighter gets very hot. Handle it carefully and make sure children don't touch it: risk of fire and/or burning.*

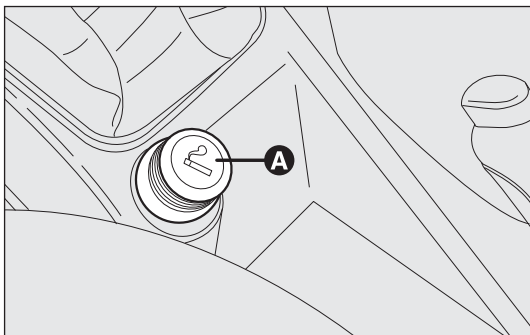


fig. 75

FOU0069m

**ASHTRAY fig. 76-77**  
(for versions/markets where provided)

The ashtray is a removable plastic box that can be fitted into the cup/can holders on the central console.

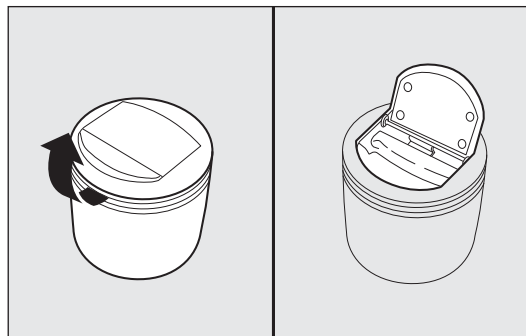


fig. 76

FOU0070m

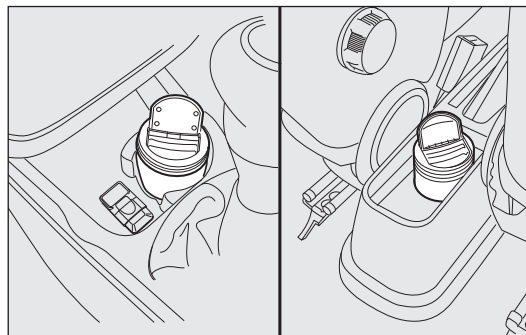


fig. 77

FOU0071m

**IMPORTANT** Do not use the ashtray as a waste paper basket at the same time: fire hazard.

### SUN VISORS fig. 78

These are located at the sides of the rear-view mirror. They may be positioned at the front and to the side. A vanity mirror may be present on the back of the sun visors.

On certain versions, to use the mirror (for versions/markets where provided) you need to open sliding cover A

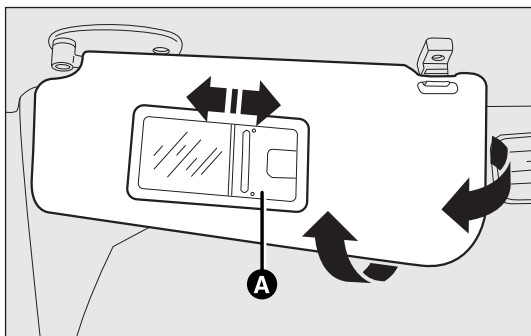


fig. 78

FOU0072m

### SEAT POCKET

(for versions/markets where provided)

On certain versions a map pocket is located on the back of the seat's backrest fig. 79.

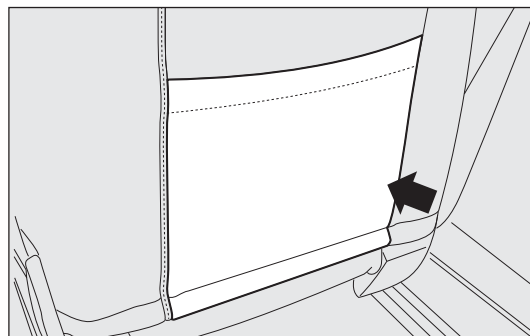


fig. 79

FOU0073m

## KNOWING YOUR VEHICLE

SAFETY

STARTING AND DRIVING

WARNING LIGHTS AND MESSAGES

IN AN EMERGENCY

SERVICING AND CARE

TECHNICAL SPECIFICATIONS

CONTENTS



## SOCKET

(for versions/markets where provided)

This is located in the boot, on the left side of the plastic support for the parcel shelf fig. 80.

To use it, open cap A.

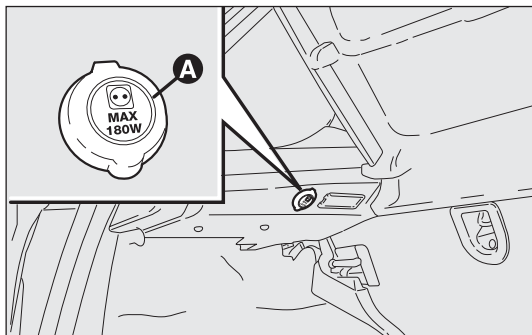


fig. 80

FOU0074m

## DASHBOARD STORAGE COMPARTMENT

Compartment A-fig. 81 is located in the middle of the dashboard. To use it, open flap B by pushing its button.

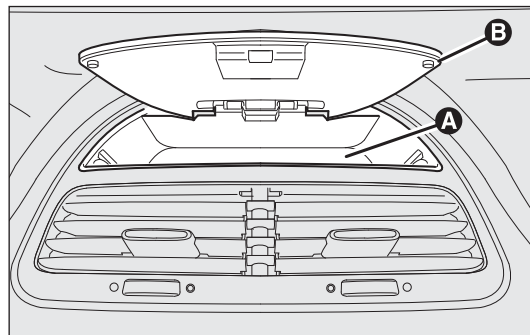


fig. 81

FOU0276m

## EXTINGUISHER fig. 81a

(for versions/markets, where provided)

The extinguisher is located on the left side of the luggage compartment.

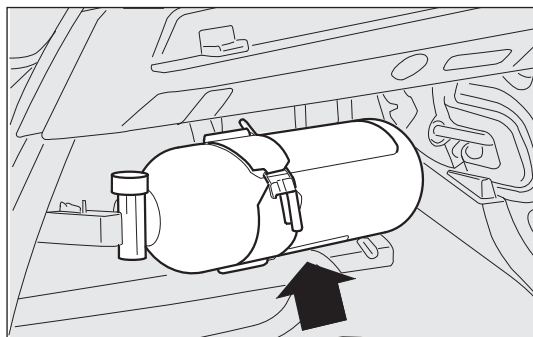


fig. 81a

FOU0552m

## SKY DOME SUNROOF

(for versions/markets where provided)

The large electric sunroof comprises two panes of glass, one of which is mobile and the other fixed. These are equipped with two shutters (front and rear) that can be moved manually. The shutters can be used in the “fully closed” or “fully open” positions (they have no fixed intermediate positions). To open the shutters: flick switch A-fig. 82 in the direction of the arrows to the “fully open” position. To close them, carry out the procedure in reverse. The sunroof can be operated only with the ignition key turned to MAR. Controls A-B fig. 82, located on a dedicated control panel near the front ceiling light, open and close the sunroof.

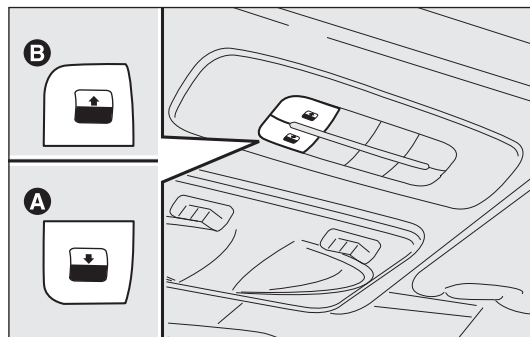


fig. 82

FOU0075m

KNOWING  
YOUR  
VEHICLE

SAFETY

STARTING  
AND DRIVING

WARNING LIGHTS  
AND MESSAGES

IN AN  
EMERGENCY

SERVICING  
AND CARE

TECHNICAL  
SPECIFICATIONS

CONTENTS

## To open

Press and hold button B-fig. 82, and the front pane will set to the “spoiler” position; press button B-fig. 82 again for over half a second to make the sunroof slide automatically to the wide open position; press the button once more to stop the sunroof at an intermediate position.

## To close

From the wide open position, press button A-fig. 83 for over half a second to set the front pane to the “spoiler” position; press the button again to stop the sunroof at an intermediate position; press button A-fig. 83 once more and hold it down to close the sunroof completely.

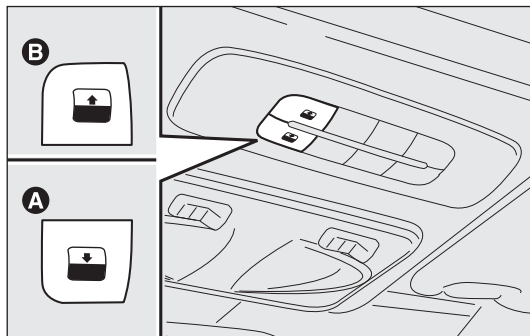


fig. 83

FOU0075m



**If a cross roof rack is fitted, the sunroof should be used in the “spoiler” position only.**



**Do not open the sunroof when there is snow or ice as it could get damaged.**



## WARNING

**When leaving the vehicle, always remove the key from the ignition to avoid the risk of injury to those still inside the car due to accidental operation of the sunroof. Improper use of the roof can be dangerous. Before operation, always check that no-one is at risk of being injured by the moving sunroof or by objects getting caught and dragged by it.**

## ANTI-PINCH SAFETY SYSTEM

The sunroof has an anti-pinch safety system capable of detecting the presence of an obstacle whilst the roof is closing; when this happens, the system stops and the movement of the glass is immediately reversed.

## INITIALISATION PROCEDURE

The sunroof must be re-initialised after disconnecting the battery or if the relevant protection fuse is blown.

Proceed as follows:

- press button A-fig. 83 at close position;
- hold the button down so that the sunroof closes in stages;
- after full closing, wait for sunroof's electric motor to stop.

When leaving the vehicle, always remove the key from the ignition to avoid the risk of injury to those still inside the car due to accidental operation of the sunroof. Improper use of the roof can be dangerous. Before and during operation, always check that no-one is exposed to the risk of being injured by the moving sunroof or by objects getting caught and dragged by it.

## EMERGENCY OPERATION

If the switch does not work, the sunroof can be operated manually as follows:

- remove the protection cap located between the two shutters;
- take the Allen key (provided as standard) from the toolbox in the boot;
- insert the key into hole A-fig. 84 and turn it:
  - clockwise to open the roof;
  - anticlockwise to close the roof.

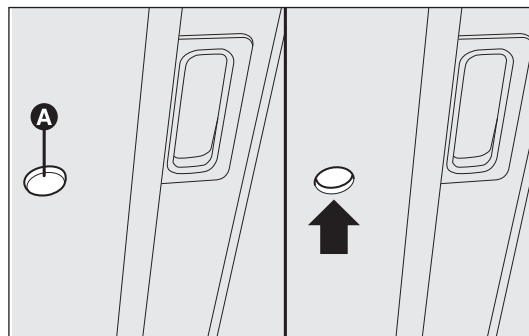


fig. 84

FOU0077m

KNOWING  
YOUR  
VEHICLE

SAFETY

STARTING  
AND DRIVING

WARNING LIGHTS  
AND MESSAGES

IN AN  
EMERGENCY

SERVICING  
AND CARE



TECHNICAL  
SPECIFICATIONS


CONTENTS

## DOORS


### Central door locking/unlocking system

#### Locking from the outside


With the doors closed, press button  on the remote control fig. 85 or insert the key in the driver-side door and turn clockwise fig. 86. The locking of the doors is signalled by the LED on button A-fig. 87 flashing once. The doors can be locked only if they are all shut. If one or more doors are open after pressing button  on the remote control fig. 85, the direction indicators and the LED on the button A-fig. 87 flash quickly for approximately 3 seconds.

If one or more doors are open turning the key, only the button LED flashes. If the doors are closed but the boot is open, the doors are locked: the direction indicators (only when locking is carried out using button  fig. 85) and the LED on button A-fig. 87 flash quickly for approximately 3 seconds.

With this function on, you can still unlock the other doors by pressing button A-fig. 87 on the central control panel.

Double-tapping button  on the remote control fig. 85 activates the dead lock device (see “Dead lock”).

#### Door unlocking from the outside

Briefly press button  fig. 85 to unlock the doors remotely, turn on the ceiling lights for a limited period and double flash the direction indicators, or insert the key into the driver’s door lock and turn it anti-clockwise as shown in fig. 86.

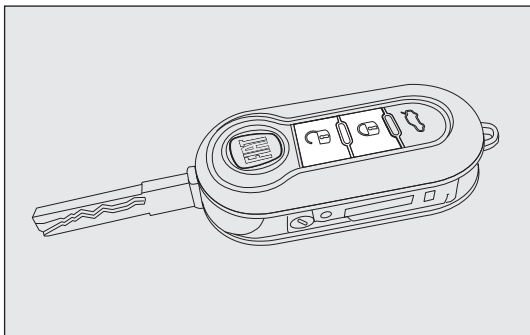


fig. 85

F0U0078m

## Door locking/unlocking from the inside

Press button A-fig. 87 to lock/unlock all doors. The button has an LED that indicates whether the doors are locked or unlocked. When the doors are locked, the LED is on and pressing the button brings about central unlocking of all the doors and turns off the LED. When the doors are unlocked, the LED is off and pressing the button brings about central locking of all the doors. The doors will be locked only if all the doors are properly shut.

For versions/markets where provided, when the exterior lights are on, the interior door handle is lit up by an LED.

After locking doors by:

- remote control;
- door catch;

it will not be possible to unlock them by pressing button A-fig. 87 on the dashboard.

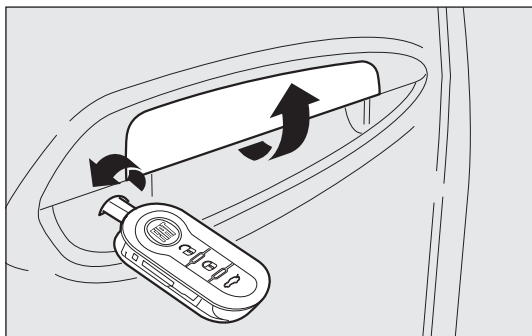


fig. 86

F0U0079m

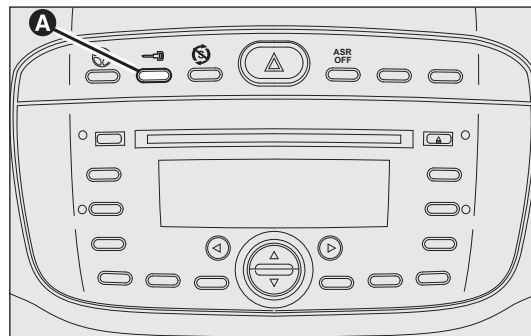


fig. 87

F0U0005m

**IMPORTANT** With central locking on, pulling the internal handle of one of the front doors will unlock that door. Individual doors can be unlocked by pulling the internal handle of one of the rear doors.

If a power supply is not present (blown fuse, battery disconnected, etc.) it is, however, possible to lock the doors manually.

After exceeding 20 km/h, all the doors will be locked automatically if the setup menu function has been selected (see “Multifunction display” paragraph in this section).

## DEAD LOCK

(for versions/markets where provided)

This safety device inhibits the operation of:

- interior handles;
- locking/unlocking button A-fig. 87;

thereby preventing the opening of the doors from inside the passenger compartment if there has been a break-in attempt (e.g. a window has been broken).


The dead lock device therefore offers the best possible protection against break-in attempts. We recommend engaging it whenever the vehicle is parked and left unattended.



## WARNING

**Once the dead lock system is engaged, it is impossible to open the doors from inside the vehicle. Before getting out of the car, please therefore check that there is no-one left inside. If the remote control battery is flat, the system can be disengaged only by inserting the key in either of the door locks as described previously: in this case the device remains active only for the rear doors.**

## Device activation

The dead lock device is automatically activated on every door when you double-tap button  on the remote control fig. 85.

Device activation is indicated by 3 flashes of the direction indicators and the flashing of the LED on button A-fig. 87 on the dashboard.

If one or more of the doors is not closed correctly, the dead lock device will not activate, thus preventing a person from getting stuck inside the passenger compartment by entering the car through, and then closing, the open door.

## Device deactivation

The system is disabled automatically on every door in the following cases:

- when opening the driver's door using the mechanical key;
- when unlocking doors using the remote control;
- when turning the ignition key to the MAR position.

## CHILD LOCK (5-door versions) fig. 88

This system prevents the rear doors from being opened from the inside.

This device can be engaged only with the doors open.

- position 1 – engaged (door locked);
- position 2 – disengaged (door can be opened from inside).

The device A-fig. 88 stays on even if the doors are unlocked by the centralised system.



### WARNING

**Always use this feature when transporting children.**

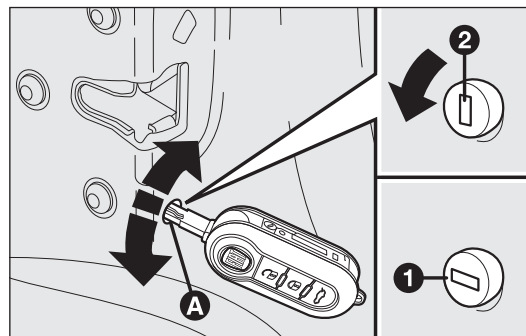


fig. 88

FOU0080m

KNOWING  
YOUR  
VEHICLE

SAFETY

STARTING  
AND DRIVING

WARNING LIGHTS  
AND MESSAGES

IN AN  
EMERGENCY

SERVICING  
AND CARE

TECHNICAL  
SPECIFICATIONS

CONTENTS





**WARNING**

*After engaging the child lock on both rear doors, check for proper engagement by trying to open a door with the internal handle.*

**REAR DOORS EMERGENCY LOCK DEVICE (5-door versions) fig. 89**

The rear doors are fitted with a device to lock doors when there is no current.

In this event, proceed as follows:

- insert the ignition key into latch B;
- turn it from position 2 to position 1 and close the door.

When the device is active, use the internal doors handles to open the rear doors.



**WARNING**

*Do not activate the child lock device if the rear doors emergency lock device is already activated. If both have been activated, you need to use the interior handle to disengage the rear doors emergency locking system and then open the door from the outside.*

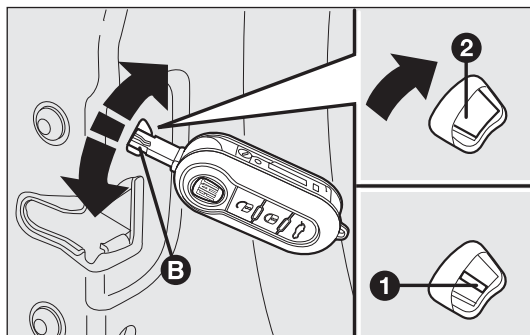


fig. 89

FOU0081m

# ELECTRIC WINDOW

## OPENING

The driver's door armrest features two fig. 91 or (for versions/markets where provided) five fig. 90 switches that, with the key turned to MAR, can be used:

- A to open/close the left front window;
- B to open/close the right front window;
- C to open/close the left rear window (for versions/markets where provided)
- D to open/close the right rear window (for versions/markets where provided)
- E to disable the controls located on the rear doors (for versions/markets where provided).

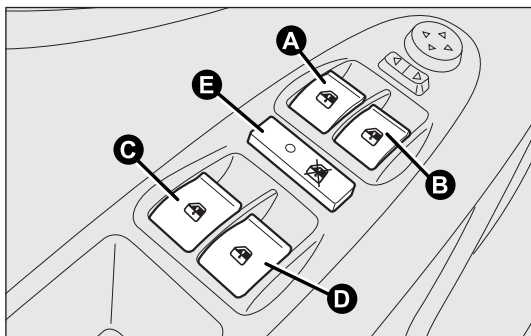


fig. 90

F0U0082m

## Continuous automatic operation

Versions with 2 electric windows (at the front) are equipped with automatic window opening.

Versions with 4 electric windows (front and rear) are fitted with automatic window opening/closing on all doors.

**Keep one of the buttons pressed for longer than half a second** to activate the automatic continuous operation of the window. The window will stop when it is fully opened or closed, or when the button is pressed again.

Versions with 4 electric windows (front and rear) are fitted with an anti-crushing safety device to detect the presence of an obstacle when the window is being closed. If an obstacle is detected, the safety system will stop the closing process and, according to window position, reverse the movement of the glass.

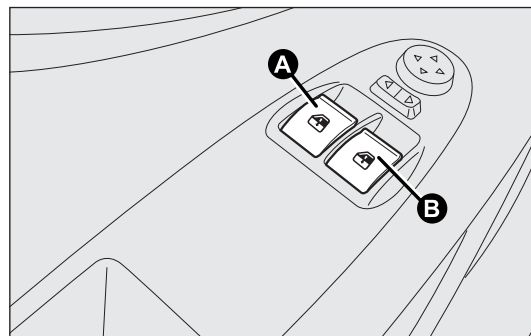


fig. 91

F0U0083m

KNOWING  
YOUR  
VEHICLE

SAFETY

STARTING  
AND DRIVING

WARNING LIGHTS  
AND MESSAGES

IN AN  
EMERGENCY

SERVICING  
AND CARE

TECHNICAL  
SPECIFICATIONS

CONTENTS

**IMPORTANT** In the event that the anti-crushing function is activated 5 times in only 1 minute, the system will automatically enter the “recovery” mode (self-protection). This condition is apparent from the window closing in stages.

On such occasions, it is necessary to carry out the system restore procedure, acting as follows:

open the windows;

or

turn the ignition key to STOP and then to MAR.



If no malfunction is present, the window returns to its normal operation automatically.

**IMPORTANT** With the ignition key at STOP or removed, the windows remain activated for about 2 minutes and are deactivated as soon a door is opened.



**WARNING**

*The system conforms to the 2000/4/EC standard concerning the safety of passengers leaning out of the passenger compartment.*

**IMPORTANT** On some versions, pressing the remote control button  for over 2 seconds will open the windows, whereas pressing the remote control button  for over 2 seconds will close them.

**Front passenger-side and rear doors**

(for versions/markets where provided)

The front passenger door armrest and rear door armrests feature switches A-fig. 92 for controlling the corresponding window.

Press button A-fig. 93 to disable the controls located on the rear doors (for versions/markets where provided).

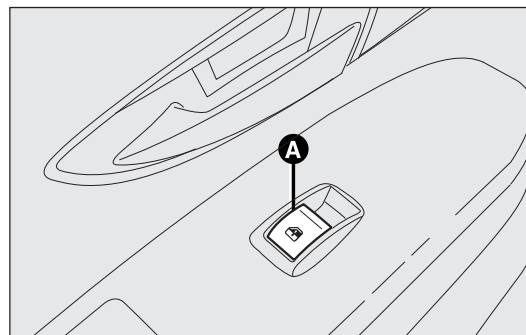


fig. 92

F0U0084m



## WARNING

*Improper use of the electric windows can be dangerous. Before and during operation, always check that no-one is exposed to the risk of being injured either directly by the moving window or through objects getting caught and being dragged by it. When leaving the vehicle, always remove the key from the ignition to avoid the risk of injury to anyone remaining in the car due to accidental operation of the electric windows.*

### Electric window system initialisation

The system must be re-initialised after disconnecting the battery or if the relevant protection fuse is blown.

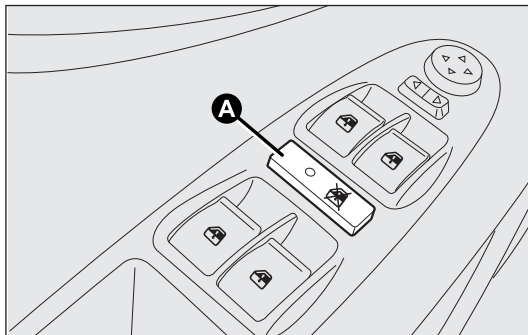


fig. 93

FOU0085m

Initialisation procedure:

- fully close the window to be initialised manually;
- once fully closed, keep holding down the closing control for at least 1 second.

### REAR WINDOW WINDERS (5-door versions) fig. 94 (for versions/markets where provided)

To open and to close the window, use the relevant handle.

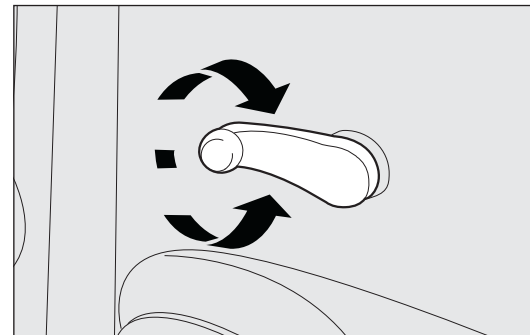


fig. 94

FOU0086m

## KNOWING YOUR VEHICLE

SAFETY

STARTING AND DRIVING

WARNING LIGHTS AND MESSAGES

IN AN EMERGENCY

SERVICING AND CARE


TECHNICAL SPECIFICATIONS

CONTENTS

# BOOT

## OPENING THE BOOT

The boot can be opened by pressing button A-fig. 95.

It can also be opened by pressing button  on the re-  
mote control fig. 96.

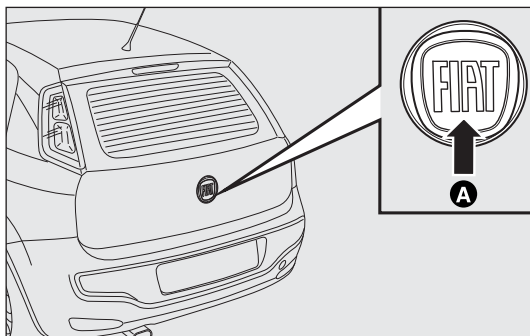


fig. 95

FOU0088m

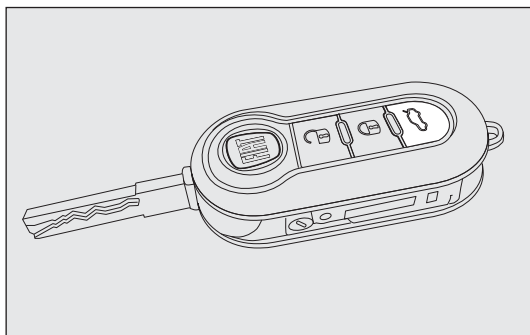


fig. 96

FOU0087m

When you open the boot using the remote control, the direction indicators will flash twice.

## OPEN VIA DASHBOARD CONTROL

(for versions/markets where provided)

On some versions, you can unlock the boot using the dash-  
board button A-fig. 97

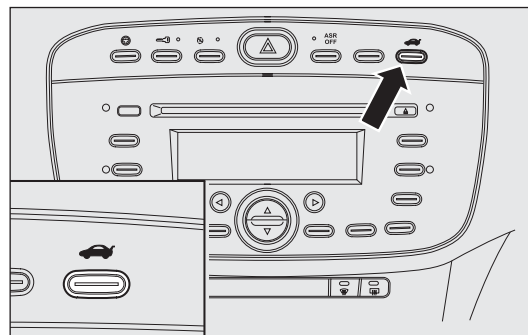


fig. 97

FOU0273m



**Putting additional objects onto the parcel shelf or rear door (speakers, spoiler, etc.), except when approved by the manufacturer, can affect the correct operation of the side gas shock absorbers of the rear door itself.**



#### **WARNING**

**When using the boot, never exceed the maximum admissible loads (see the “Technical specifications” section). Make sure that the objects are well arranged in the boot so that they will not be projected forwards following sudden braking, causing injury to passengers.**



#### **WARNING**

**When travelling, do not put any object on the parcel shelf because they can injure passengers in the event of an accident or sudden braking.**

## **CLOSING THE BOOT**

Lower the rear door until you hear the locking click fig. 98.

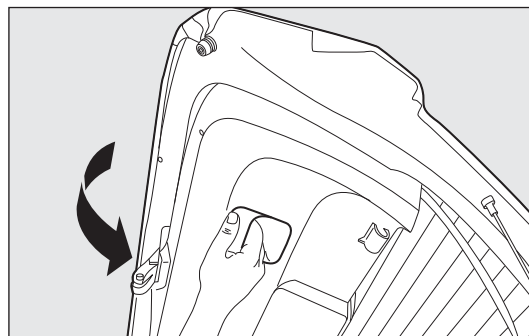


fig. 98

FOU0089m

**KNOWING  
YOUR  
VEHICLE**

SAFETY

STARTING  
AND DRIVING

WARNING LIGHTS  
AND MESSAGES

IN AN  
EMERGENCY

SERVICING  
AND CARE

TECHNICAL  
SPECIFICATIONS

CONTENTS

## OPENING THE BOOT IN AN EMERGENCY fig. 99

To open the boot from inside if the car battery is flat or the electric lock of the rear door is faulty, proceed as follows:

- tilt the rear seats fully forward (see “Extending the boot” in this section);
- press lever B inside the boot.

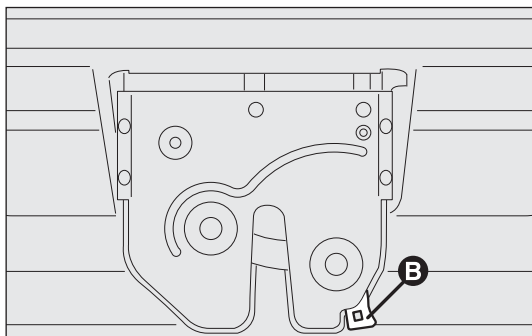


fig. 99

FOU0090m

## EXTENDING THE BOOT

### Partial extension (1/3 or 2/3) fig. 100 (for versions/markets where provided)

The boot can be partially (1/3 or 2/3) or totally extended by splitting the rear seat.

Proceed as follows:

- fully lower the rear seat head restraints;
- check that the seat belt is not twisted;
- tilt the cushions forward as shown by the arrow fig. 100;
- lift handle A or B-fig. 101 to release either the left or right part of the backrest and guide the backrest down onto the cushion.

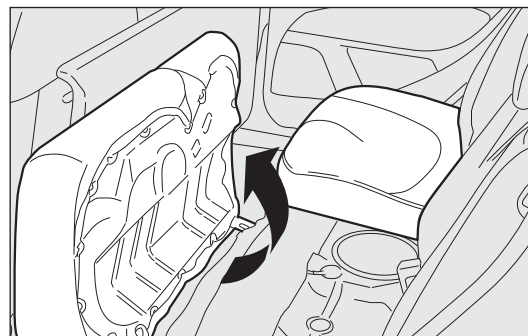


fig. 100

FOU0091m

Extending the right side of the boot makes allows you to carry two passengers on the left part of the rear seat. Extending the left side of the boot allows you to carry one passenger on the right part of the rear seat.

### Full extension fig. 103

Tilting the whole rear seat forwards gives maximum load-ing volume.

Proceed as follows:

- fully lower the rear seat head restraints;
- check that the seat belts are not twisted;

- tilt the cushions forward as shown by the arrow fig. 100;
- lift handles A and B-fig. 101 to release the backrests and guide them down onto the cushion.

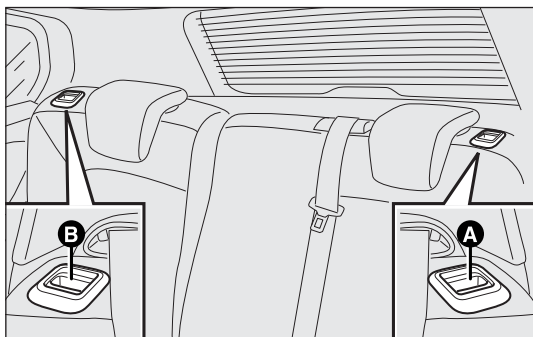


fig. 101

FOU0092m

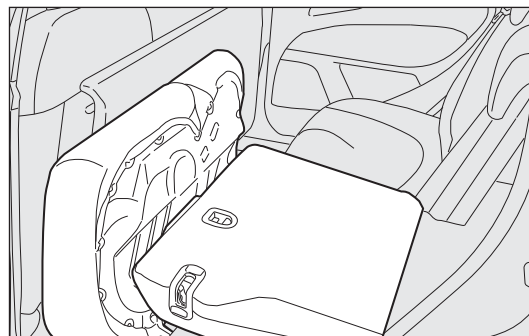


fig. 102

FOU0093m

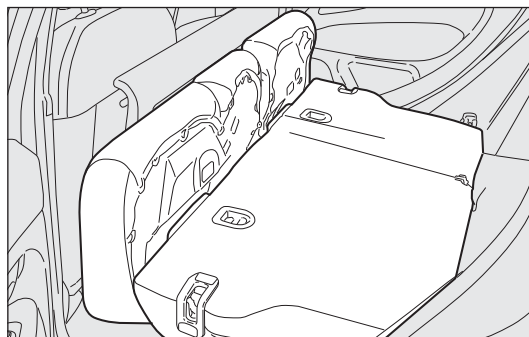


fig. 103

FOU0094m



## Repositioning the rear seat fig. 104

Raise the backrests and push them back until hearing the locking click of both retainers. Position the seat belt buckles upwards and set the cushion to the position of normal use.

**IMPORTANT** The backrest is correctly secured when the red band next to the handles disappears. This red band indicates that the backrest is not secured. When returning the backrest to its normal position, make sure it is correctly fastened and you hear the lock click.

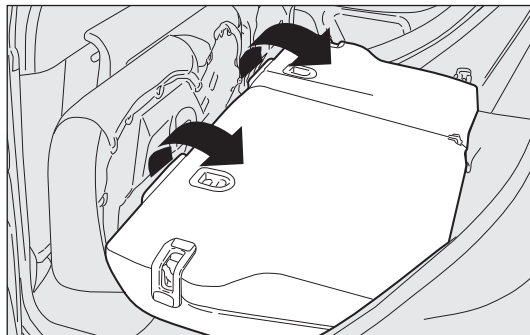


fig. 104

FOU0095m

Make sure the backrest is properly secured at both sides to prevent it moving forward in the event of sharp braking that may cause injuries to passengers.

## REMOVING THE PARCEL SHELF

To remove the parcel shelf in order to extend the boot: release the upper ends A-fig. 105 by removing the eyelets from the pins, unhook and swivel the parcel shelf in its housing and then release both pins fig. 106 from the side holes.

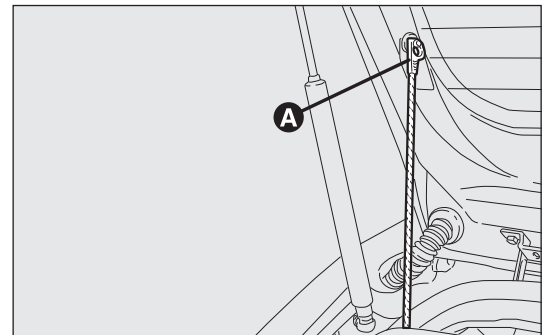


fig. 105

FOU0097m

Once removed, the parcel shelf can be positioned between the back of the front seats and the folded cushion of the rear seat fig. 107.

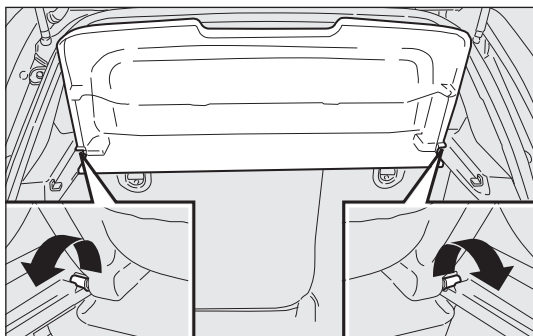


fig. 106

FOU0098m

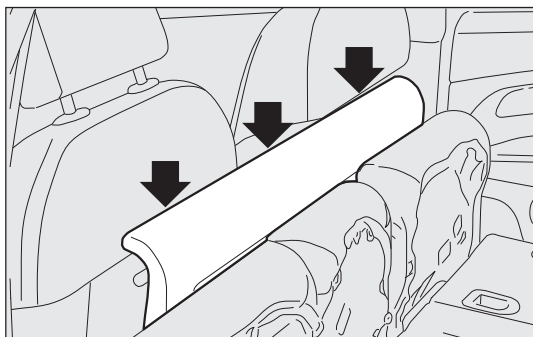


fig. 107

FOU0096m

## BONNET

### OPENING

Proceed as follows:

- pull the lever fig. 108 in the direction of the arrow;
- pull the catch A-fig. 109 as shown in the diagram;
- lift the bonnet and, at the same time, release the bonnet support rod from its locking device D-fig. 110; then insert the end of the bonnet support rod C-fig. 111 into the hole E.

**IMPORTANT** Before opening the bonnet, check that windscreen wiper arms are not lifted from the windscreen.

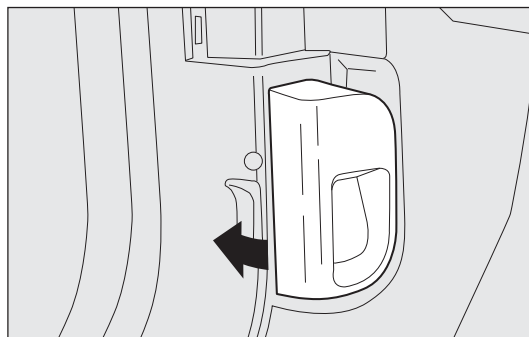


fig. 108

FOU0100m

## KNOWING YOUR VEHICLE

SAFETY

STARTING AND DRIVING

WARNING LIGHTS AND MESSAGES

IN AN EMERGENCY

SERVICING AND CARE

TECHNICAL SPECIFICATIONS

CONTENTS

## CLOSING

Proceed as follows:

- ❑ hold the bonnet up with one hand and with the other remove the rod C-fig. 111 from the hole E and fit it back into its catch D-fig. 110;
- ❑ lower the bonnet to approximately 20 centimetres from the engine compartment, then let it drop. Make sure that the bonnet is completely closed and not fastened only by the safety catch. If it is not perfectly closed, do not try to press the bonnet lid down but open it and repeat the procedure.

**IMPORTANT** Always check that the bonnet is closed properly to avoid it opening while the car is travelling.



## WARNING

**For safety reasons, the bonnet must always be perfectly closed while travelling. Make sure that the bonnet is perfectly closed and that the lock is engaged. If you notice whilst driving that the lock is not perfectly engaged, stop at once and close the bonnet properly.**

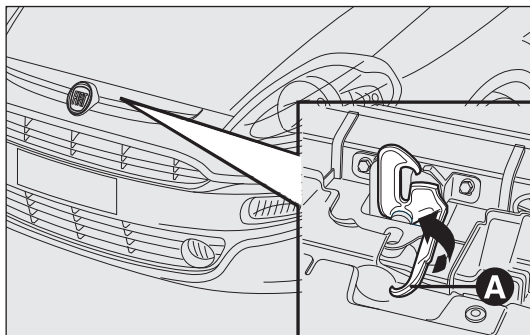


fig. 109

FOU0101m

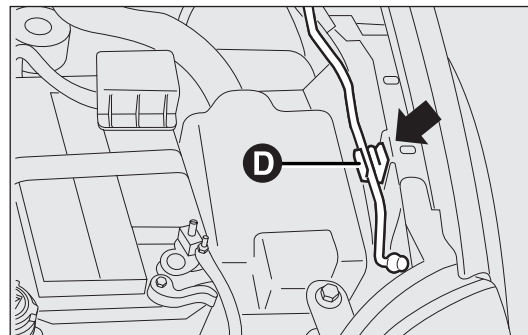


fig. 110

FOU0102m



### WARNING

*Positioning the support rod incorrectly could cause the bonnet to fall suddenly.*



### WARNING

*Perform these operations only when the car is stationary.*

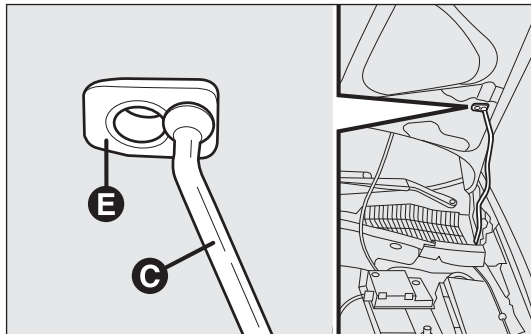


fig. 111

FOU0103m

## ROOF RACK/SKI RACK

### 3-door versions

The front hooks are located at points A-fig. 112.

The rear hooks are located at points B marked by the (▼) symbols on the rear side windows.

### 5-door versions

The front hooks are located at points A-fig. 112.

The rear hooks are located at points B and are marked by a groove on the upper part of the door frame.

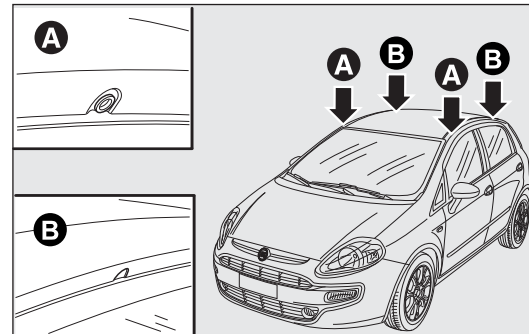


fig. 112

FOU0104m

### KNOWING YOUR VEHICLE

SAFETY

STARTING AND DRIVING

WARNING LIGHTS AND MESSAGES

IN AN EMERGENCY

SERVICING AND CARE

TECHNICAL SPECIFICATIONS

CONTENTS



**WARNING**

*After travelling a short distance, check that the coupling fastening screws are tight.*



*Strictly comply with current legal regulations concerning maximum overall dimensions.*

**IMPORTANT** Follow the instructions contained in the assembly kit carefully. Assembly must be performed by qualified personnel.



**WARNING**

*Distribute the load evenly and, when driving, bear in mind the increased sensitivity of the vehicle to side wind.*



*Never exceed the permitted load (see “Technical specifications” section).*

# HEADLIGHTS

## LIGHT BEAM DIRECTION

The correct direction of the headlights is essential for the comfort and safety of the driver and other road users. The headlights must be correctly directed to ensure the best visibility. Contact a Fiat Dealership to have the direction checked and, if necessary, adjusted.

## HEADLIGHT ALIGNMENT CORRECTOR

This device works with the key in the MAR position and the dipped headlights on. The car will tilt backwards when it is loaded, raising the light beam. The beams must therefore be aimed again in this case.

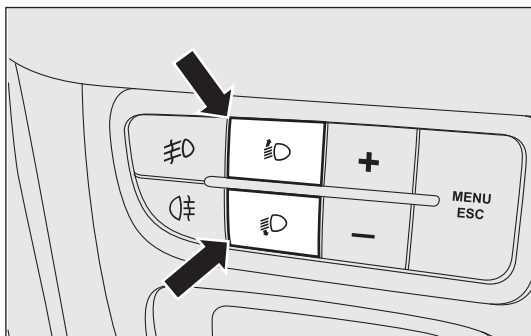




fig. 113

F0U0105m

## Headlight alignment adjustment fig. 113

To adjust, press buttons  and  on the control panel.

The display located on the instrument panel provides the visual indication of the positions during the adjustment operation.

Position 0 – one or two people in the front seats.

Position 1 – five people.

Position 2 – five people + load in the boot.

Position 3 – driver + maximum permitted load stowed in the boot.

**IMPORTANT** Check the beam alignment every time the load transported changes.

## FRONT FOG LIGHTS ALIGNMENT

(for versions/markets where provided)

Contact a Fiat Dealership to have the direction checked and, if necessary, adjusted.

## HEADLIGHT BEAM ADJUSTMENT ABROAD fig. 114-115

The dipped headlights are adjusted to work in the country where the vehicle was originally purchased. In countries where vehicles are driven on the other side of the road, the beams are aligned by applying a specially designed adhesive film in order not to dazzle the vehicles travelling in the opposite direction.

Such film is provided by Lineaccessori Fiat and is available at Fiat Dealerships.

The illustrations refer to the changeover from driving on the left to driving on the right.

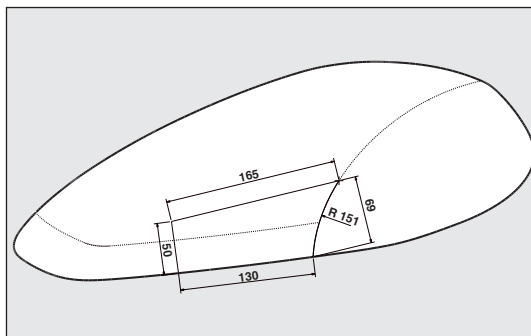


fig. 114

FOU0506m

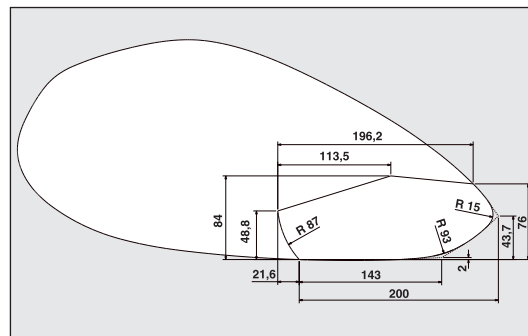


fig. 115

FOU0346m

## ABS SYSTEM

If you have never driven a vehicle with ABS before, it is advisable to perform a few tests on slippery ground, always in safe conditions and respecting the highway code of the country where you are driving. Read the following information carefully.

This system, which is an integral part of the braking system, prevents one or more wheels from locking and skidding on all road surface conditions, irrespective of the intensity of the braking action, ensuring that the vehicle can be controlled even during emergency braking.

The system is completed by EBD (Electronic Braking Force Distribution), which distributes the braking action between the front and rear wheels.

**IMPORTANT** For the maximum efficiency of the braking system, a bedding-in period of about 500 km is needed (for a new vehicle or after having replaced the brake pads/discs): during this period it is better to avoid sharp, repeated and prolonged braking.



### WARNING

**The ABS system gets the most out of the available grip but it cannot improve it. Therefore, you should take great care when driving on slippery surfaces: don't take unnecessary risks.**

## SYSTEM INTERVENTION

The driver can tell the ABS system has come into action because the brake pedal pulsates slightly and the system gets noisier: it means that the vehicle speed should be altered to suit the type of road surface.

### MECHANICAL BRAKE ASSIST (emergency braking assistance)

(for versions/markets, where provided)

This system (which cannot be deactivated) recognises emergency braking conditions according to the speed of operation of the brake pedal and provides an additional hydraulic braking pressure to support that provided by the driver. This allows faster and more powerful operation of the braking system.

**IMPORTANT** When the Mechanical Brake Assist is activated noises can be heard from the system. This is normal. Anyway, while braking keep the brake pedal depressed.



### WARNING

**If the ABS cuts in, it is a sign that the grip between tyre and the road surface has reached the limit: you must slow down to match the speed to the road grip available.**

KNOWING  
YOUR  
VEHICLE

SAFETY

STARTING  
AND DRIVING

WARNING LIGHTS  
AND MESSAGES

IN AN  
EMERGENCY

SERVICING  
AND CARE


TECHNICAL  
SPECIFICATIONS

CONTENTS





## FAILURE INDICATIONS

### ABS failure

ABS failure is indicated by warning light  coming on on the instrument panel together with the dedicated message on the multifunction display (where provided), (see “Warning lights and messages”).

In this case, the braking system will work as normal, but without the extra capacity offered by the ABS system. Drive carefully to the nearest Fiat Dealership to have the system checked.


### EBD failure

EBD failure is indicated by warning lights  and  coming on on the instrument panel together with the dedicated message on the multifunction display (where provided), (see section “Warning lights and messages”).

Drive carefully to the nearest Fiat Dealership to have the system checked.



### WARNING

*If only warning light  lights up on the instrument panel (with a message on the multifunction display, where provided), stop the car immediately and contact the nearest Fiat Dealership. Fluid leaking from the hydraulic system will compromise the operation of the braking system, whether it is of the conventional type or with ABS.*



### WARNING

*When the ABS cuts in, and you feel the brake pedal pulsating, do not remove your foot, but keep it pressed; in doing so you will stop in the shortest distance possible under the road conditions at the time.*

## ESP SYSTEM (Electronic Stability Program)

(for versions/markets where provided)

This is an electronic system that controls car stability in the event of tyre grip loss, helping to maintain directional control.

The ESP system is therefore particularly useful when the grip conditions of road surfaces change.


The MSR system (adjustment of the engine braking torque during gear changes) and the HBA system (automatic increase in the braking pressure during emergency braking) are present with ESP, ASR and Hill Holder systems (for versions/markets where provided).



### WARNING

***Do not take unnecessary risks, even if your vehicle is fitted with an ESP system. Your driving style must always be suited to the road conditions, visibility and traffic. The driver is always ultimately responsible for road safety.***


## SYSTEM INTERVENTION

This is signalled by warning light  flashing on the instrument panel to inform the driver that the car is experiencing critical stability and grip conditions.

## SYSTEM ACTIVATION


The ESP system comes on automatically when the vehicle is started and cannot be turned off.

## FAILURE INDICATIONS

In the event of a failure, the ESP will be automatically switched off and the  warning light will come on permanently on the instrument panel along with a message on the multifunction display (for versions/markets where provided) (see “Warning lights and messages” section). The LED on the ASR OFF button will also light up. Contact a Fiat Dealership as soon as possible if this happens.

## HYDRAULIC BRAKE ASSIST (integrated ESP emergency braking assistance) (for versions/markets where available)

This system (which cannot be switched off) recognises emergency braking (according to the speed of operation of the brake pedal) and provides additional hydraulic braking pressure to support that applied by the driver. This allows faster and more powerful operation of the braking system.

The Hydraulic Brake Assist is deactivated on versions equipped with ESP if there is an ESP system failure (indicated by the warning light  and the message on the multifunction display, for versions/markets where provided).

KNOWING  
YOUR  
VEHICLE

SAFETY

STARTING  
AND DRIVING

WARNING LIGHTS  
AND MESSAGES

IN AN  
EMERGENCY

SERVICING  
AND CARE

TECHNICAL  
SPECIFICATIONS

CONTENTS

## HILL HOLDER SYSTEM

This system is an integral part of the ESP system and it facilitates hill starts.

It is automatically activated in the following conditions:



- uphill: vehicle stationary on a road with a gradient higher than 5%, engine running, brake pedal pressed and gearbox in neutral or gear other than reverse;
- downhill: vehicle stationary on a road with a gradient higher than 5%, engine running, brake pedal pressed and reverse gear engaged.

During start-up, the ESP system control unit maintains the braking pressure at the wheels until the engine torque required for departure is reached, or for a maximum of 1 second, allowing your right foot to be moved easily from the brake pedal to the accelerator.

If the vehicle has not departed after this time, the system will deactivate automatically by gradually releasing the brake force.

At release, the typical brake disengagement noise indicating that the car is going to move will be heard.

## Failure indications

System failure is indicated by warning light  lighting up on the instrument panel with digital display and warning light  lighting up on the instrument panel with multi-function display (where provided) (see section “Warning lights and messages”).

**IMPORTANT** The Hill Holder system is not a parking brake; therefore, never leave the vehicle without having engaged the handbrake, turned the engine off and selected first gear.



### WARNING

***For the correct operation of the ESP and ASR systems, the tyres must be the same make and type on all wheels, in perfect condition and, above all, of the type, make and size recommended.***

## ASR SYSTEM (Anti-slip Regulator)

This function controls car drive and cuts in automatically every time one or both driving wheels skid.

Depending on how skiddy the road is, two different control systems are activated:

- if both drive wheels skid, the ASR function intervenes by reducing the power transmitted by the engine;

- if only one of the drive wheels skids, the system intervenes by automatically braking the wheel that is skidding.

The action of the ASR system is especially useful in the following conditions:

- slipping of the inner wheel when cornering due to the effect of dynamic load changes or excessive acceleration;
- too much power transmitted to the wheels also in relation to the conditions of the road surface;
- acceleration on slippery, snowy or icy surfaces;
- in the case of loss of grip on a wet surface (aquaplaning).



### WARNING

***For the correct operation of the ESP and ASR systems, the tyres must absolutely be the same make and type on all wheels, in perfect condition and, above all, of the type, make and size specified.***

## KNOWING YOUR VEHICLE

SAFETY

STARTING AND DRIVING

WARNING LIGHTS AND MESSAGES

IN AN EMERGENCY

SERVICING AND CARE

TECHNICAL SPECIFICATIONS

CONTENTS

## MSR system (engine drive regulation)

This is an integral part of the ASR system that, in the event of sudden gear shifting on hills, cuts in to provide torque to the engine, thus preventing excessive driving wheel drag that, especially in poor grip conditions, can lead to loss of stability.

### Switching the system on/off fig. 116

The ASR system switches on automatically each time the engine is started.

When travelling, the ASR can be switched off and on again by pressing button located on the dashboard fig. 116.

When the ASR is switched off, this is shown by the LED on the button coming on and by the relevant message appearing on the multifunction display, where provided.

If you switch off the ASR during a journey, it will come back on automatically when the engine is next started.

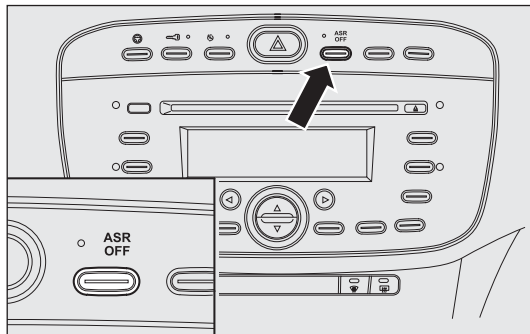


fig. 116

FOU0106m

When travelling on snowy roads with snow chains, it may be helpful to turn the ASR off: in fact, in these conditions, if the drive wheels skid when moving off, you get better traction.



### WARNING

**Do not take unnecessary risks, even if your vehicle is fitted with this system. Your driving style must always be suited to the road conditions, visibility and traffic. The driver is always ultimately responsible for road safety.**


For the correct operation of the ASR system, the tyres must absolutely be the same make and type on all wheels, in perfect condition and, above all, of the type, make and size specified.

### FAILURE INDICATIONS

In the event of a failure, the ASR will be automatically switched off and warning light (⚠) will appear permanently on the instrument panel along with a message on the multifunction display, where provided (see “Warning lights and messages”). In this case, contact a Fiat Dealership as soon as possible.

## EOBD SYSTEM

The EOBD system (European On Board Diagnosis) provides a continuous diagnosis of the car's emission-related components.

It also alerts the driver, by way of warning light  lighting up on the instrument panel (together with the relevant message on the multifunction display, where provided) (see section "Warning lights and messages"), when these components are no longer in peak condition.



The goal of the system is to:

- keep the system efficiency under control;
- warn when a fault causes emissions levels to increase;
- warn of the need to replace non-performing components.

The system also has a connector that can be interfaced with appropriate equipment, which makes it possible to read the error codes stored in the control unit, together with a series of specific parameters for engine operation and diagnosis. This check can also be carried out by traffic police.

**IMPORTANT** After eliminating the problem, to check the system completely, Fiat Dealerships run a bench test and, if necessary, road tests which may also call for a long journey.



**Go to a Fiat Dealership as soon as possible if warning light  either does not light up when the key is turned to MAR or comes on permanently or flashes while travelling (along with a message on the multifunction display, where provided). The operation of the  warning light may be checked by traffic police using appropriate equipment. Respect the regulations in force in the country where you are driving.**

KNOWING  
YOUR  
VEHICLE

SAFETY

STARTING  
AND DRIVING

WARNING LIGHTS  
AND MESSAGES

IN AN  
EMERGENCY

SERVICING  
AND CARE

TECHNICAL  
SPECIFICATIONS

CONTENTS

## “DUALDRIVE” ELECTRIC POWER STEERING SYSTEM

The car is equipped with an electrically controlled power steering system called “Dualdrive”, working only with the ignition key at MAR and the engine running, that customises steering force according to the driving conditions.

### ACTIVATION/DEACTIVATION (CITY function)

To activate/deactivate the function, press the button on the dashboard.

Activation is indicated by:

- the word CITY on the instrument panel (for versions with multifunction display);
- the word CITY lit up on the button after it has been pressed fig. 117.

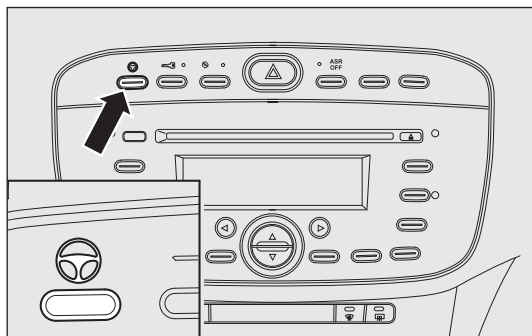



fig. 117

FOU0107m


When the CITY function is on, the steering wheel effort is lighter, making parking easier: therefore, this function is particularly useful for driving in city centres.

For the Sport version, this function guarantees improved driving comfort because the accelerator pedal is better calibrated for gradual acceleration/deceleration.

### FAILURE INDICATIONS

Any failure of the electric power steering system is indicated by instrument panel warning light  coming on together with a message on the multifunction display (for versions/markets where provided) (see “Warning lights and messages”). In the event of electric power steering system failure, the car can be driven with mechanical steering.

**IMPORTANT** In some circumstances, factors independent of the electric power steering could cause the  warning light on the instrument panel to come on.

In this case, stop the car immediately, switch off the engine for about 20 seconds and then restart the car. If the warning light  is still on, along with the message on the multifunction display (for versions/markets where provided), contact a Fiat Dealership.

**IMPORTANT** During parking manoeuvres requiring a lot of steering, the steering may become harder; this is normal and is due to the intervention of the system that protects the electric steering motor from overheating, so no intervention is required. The power steering system will start working properly again the next time the car is used.



### WARNING

*It is absolutely forbidden to carry out any after-market operation involving steering system or steering column modifications (e.g. installing an anti-theft device). This could badly affect performance and safety, invalidate the warranty and also result in the non-compliance of the car with regulations.*



### WARNING

*Before carrying out any maintenance operation, switch off the engine and remove the ignition key to activate the steering lock. This is particularly important if the vehicle's wheels are raised from the ground. If this is not possible (for example if the key needs to be turned to MAR or the engine must be running), remove the main fuse that protects the electric power steering.*

## TYRE PRESSURE MONITORING SYSTEM (TPMS)

(for versions/markets where provided)

The car may be equipped with a tyre pressure monitoring system. This system comprises a radio frequency transmitter fitted to each wheel (on the rim inside the tyre), which is able to send information on the pressure of each tyre to the control unit.



### WARNING

*Take the greatest of care when checking or topping up the tyre pressures. If the pressure is too high, road hold is compromised, there is more demand on the suspension and wheels, and the tyres wear abnormally.*



### WARNING

*Tyre pressure should be checked when the tyres are rested and cold; if, for whatever reason, you check the pressure when the tyres are hot, do not reduce the pressure even if it is higher than the recommended value, but check again when the tyres are cold.*

### KNOWING YOUR VEHICLE

SAFETY

STARTING AND DRIVING

WARNING LIGHTS AND MESSAGES

IN AN EMERGENCY

SERVICING AND CARE

TECHNICAL SPECIFICATIONS

CONTENTS





**WARNING**

*The presence of TPMS does not exonerate the driver from regularly checking the pressure of the tyres and the spare wheel (see “Wheels” in the “Maintenance and care” section).*

**IMPORTANT NOTES ABOUT THE TPMS SYSTEM**

The fault indications are not stored and will therefore not be displayed after the engine has been switched off and then on again. If the fault conditions persist, the control unit will send the relative indications to the instrument panel only after the vehicle has been in motion for a short time.

**WARNING** Particularly strong radio frequency interference may cause the TPMS system to function incorrectly. This condition is indicated to the driver by a message on the display. The warning message will go off automatically as soon as the interference stops disturbing the system.



**WARNING**

*The TPMS is not able to warn you of sudden tyre pressure losses (for example when a tyre bursts). In this case, stop the car, braking with care and avoiding sharp steering actions.*



**WARNING**

*Replacing the normal tyres with winter tyres and vice versa requires an inspection of the TPMS, which should be carried out only by a Fiat Dealership.*



**WARNING**

*The TPMS requires the use of specific equipment. Contact a Fiat Dealership to find out which accessories are compatible with the system (wheels, hub caps etc.). Using other accessories may hinder the normal operation of the system.*



**WARNING**

*Changes in outside temperature may cause tyre pressures to vary. The TPMS system may temporarily indicate insufficient pressure. In this case, check the tyre pressures with the tyres cold and, if necessary, pump them up.*



### WARNING

*If the vehicle is fitted with TPMS, when a tyre is removed, it is advisable to replace the rubber gasket for the valve. Contact a Fiat Dealership.*



### WARNING

*If the vehicle is fitted with TPMS, tyre and wheel fitting/removal operations require specific precautions. To avoid damaging the sensors or fitting them incorrectly, tyre and wheel fitting/removal operations should be carried out only by specialists. Contact a Fiat Dealership.*



### WARNING

*Strong radio-frequency interference could hinder the regular operation of the TPMS system. This condition will be indicated by a message on the multifunction display (where provided). The warning message will go off automatically as soon as the interference ceases to disturb the system.*

## KNOWING YOUR VEHICLE

SAFETY

STARTING AND DRIVING

WARNING LIGHTS AND MESSAGES

IN AN EMERGENCY

SERVICING AND CARE

TECHNICAL SPECIFICATIONS

CONTENTS

In order to use the system properly, refer to the following table when you have to change wheels/tyres:

	<b>Operation</b>	<b>Sensor</b>	<b>Failure warning</b>	<b>Fiat Dealership intervention</b>
SAFETY	–	–	YES	Contact a Fiat Dealership
STARTING AND DRIVING	Replacing a wheel with the spare wheel	NO	YES	Repair the damaged wheel
	Replacing wheels with snow tyres	NO	YES	Contact a Fiat Dealership
WARNING LIGHTS AND MESSAGES	Replacing wheels with snow tyres	YES	NO	–
	Replacing wheels with others of a different size (*)	YES	NO	–
IN AN EMERGENCY	Switching wheels (front/rear) (**)	YES	NO	–

(\*) Given as an alternative in the Owner's Handbook and available at Lineaccessori Fiat.

(\*\*) Not cross-swapped (tyres must stay on the same side).

# START&STOP SYSTEM

(for versions/markets where provided)

## FOREWORD

The Start&Stop device automatically stops the engine each time the vehicle is stationary and starts it again when the driver wants to move off.

This improves the efficiency of the vehicle by reducing fuel consumption, the emission of harmful gases and noise pollution. The system is activated each time the car is started.

## OPERATING MODES

### Engine cut-out mode

#### With manual transmission

With the vehicle stationary, the engine cuts out with the gearbox in neutral and the clutch pedal released.

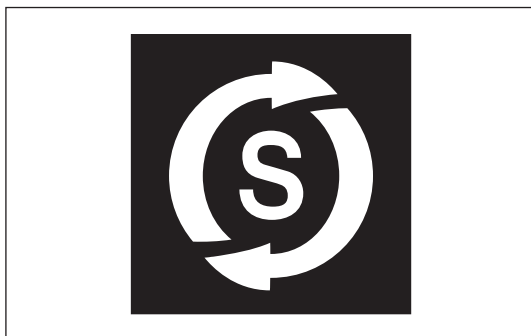


fig. 118

FOU0200m

### With Dualogic gearbox

(for versions/markets where provided)

The engine cuts out if the car stops with the brake pedal pressed.

This condition can be maintained even if the brake pedal is not pressed, if the gear lever is in position N.

NB: The engine can be stopped automatically only after a speed of about 10 Km/h is reached, to prevent the engine from being repeatedly stopped when driving at walking pace.

The engine being stopped is signalled by the warning light fig. 118 on the instrument panel, depending on the configuration.

### Engine restarting mode

#### With manual transmission

Press the clutch pedal to allow the engine to be restarted.



fig. 119

FOU0201m

## With Dualogic gearbox (for versions/markets where provided)

If the gear lever is in position N, place it in any other gear, otherwise release the brake pedal or move the gear lever to (+), (-) or R .

### MANUAL ACTIVATION AND DEACTIVATION

You can activate/deactivate the device by pressing the button on the dashboard fig. 120. When the system is switched off, “Start&Stop OFF” appears on the dashboard fig. 119.

In addition, (for versions/markets where provided) additional indications concerning the deactivation or activation of Start&Stop is given through a message on the display.

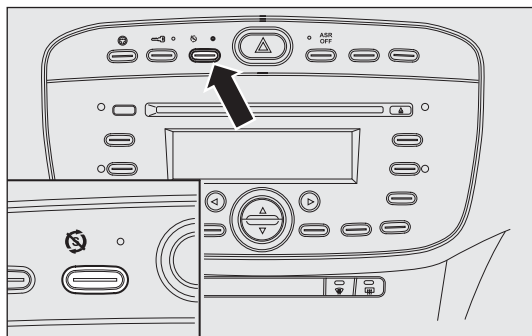


fig. 120

FOU0202m

### NO ENGINE CUT-OUT CONDITIONS

With the device activated, for reasons of comfort, limiting emissions and safety, the engine does not stop in certain conditions, including:

- engine still cold;
- particularly cold external temperatures, where the appropriate indication is provided;
- battery not sufficiently charged;
- heated rear windscreen activated;
- windscreen wipers working at maximum speed;
- diesel particulate filter (DPF) regeneration ongoing (for versions/markets where provided);
- driver's door not shut;
- driver's seat belt not fastened;
- reverse gear engaged (for example, during parking manoeuvres);
- automatic climate control, if a comfortable temperature has not yet been reached or MAX – DEF function enabled;
- during the first period of use, to initialize the system.

In the above cases, an information message appears on the display and (for versions/markets where provided) the warning light fig. 118 will flash on the instrument panel.

## RESTARTING CONDITIONS

For reasons of comfort, limiting harmful emissions and safety purposes, the power unit can restart automatically without any action on behalf of the driver if certain conditions are met, including:

- battery not sufficiently charged;
- windscreen wipers working at maximum speed;
- extreme braking system pressure, e.g. following the brake pedal being pressed repeatedly;
- car moving around, for example when driving on hilly roads;
- stopping the engine through the Start&Stop system for more than about three minutes.
- automatic climate control system for establishing a comfortable temperature or enabling the MAX – DEF function.

With a gear engaged, the engine can be automatically restarted only by fully depressing the clutch pedal. The driver is asked to perform this operation through a message on the instrument panel and, where provided, by the warning light fig. 121 on the instrument panel flashing

NB: If the clutch is not pressed, when the three minutes have elapsed since the engine was stopped, the engine can be restarted only by using the key.

NB: In cases when the engine stops and this is not desired, due for example to the clutch pedal being released sharply with a gear engaged, if the Start&Stop system is activated, the engine can be restarted by fully depressing the clutch pedal or by putting the gear lever into neutral.

## SAFETY FUNCTIONS

In engine cut-out conditions through the Start&Stop system, if the driver unfastens his/her seat belt and opens the driver's door or the passenger door, the engine can be restarted only by using the key.

The driver is notified of this condition both by a buzzer and through an information message on the display and (for versions/markets where provided) by the warning light fig. 121 on the instrument panel flashing.

## ENERGY SAVING FUNCTION

(For versions/markets where provided)

If, after the engine has been automatically restarted, the driver does not take any action for a period of about 3 minutes, the Start&Stop system will definitively stop the engine to avoid fuel consumption. In these cases, the engine can be restarted only by using the key.

NB: In any case, it is possible to keep the engine running by deactivating the Start&Stop system.

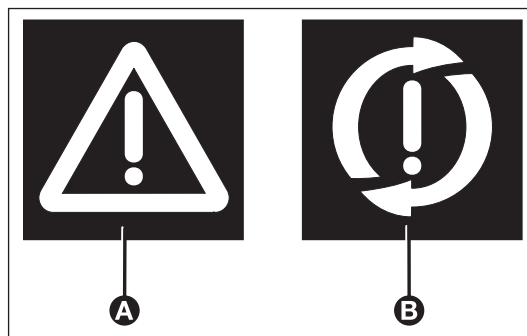


fig. 121

FOU0203m

## OPERATING IRREGULARITIES

In the case of malfunctions the Start&Stop system is disabled. The driver is informed of the problem by the general failure warning light A-fig. 121, where provided, coming on with an information message and the system failure symbol B-fig. 121 on the control panel. In this case, contact a Fiat Dealership.

### CAR INACTIVITY fig. 122 (with Start&Stop system with dummy pole) (for versions/markets where provided)

In case of vehicle inactivity conditions, pay special attention to the disconnection of the battery power supply. The procedure must be made by disconnecting the quick release negative terminal A-fig. 122 from the dummy negative pole B, as the battery negative pole C has a sensor D for battery condition monitoring that must never be disconnected (unless the battery is replaced).

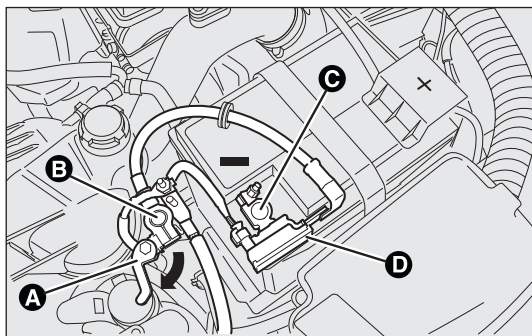


fig. 122

FOU0204m

### CAR INACTIVITY (with Start&Stop system without dummy pole) (for versions/markets where provided)

In case of car inactivity, special attention must be paid due to the disconnection of the battery power supply. Proceed as follows: detach the connector A-fig. 123 (by pressing button B) from sensor C for monitoring the battery status installed on the battery negative pole D. This sensor should never be disconnected from the pole except if the battery is replaced.



#### WARNING

**When replacing the battery, always go to a Fiat Dealership. Replace the battery using a new one of the same type (HEAVY DUTY) and having the same specifications.**

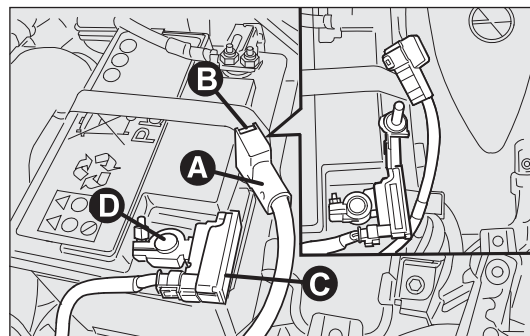


fig. 123

FOU0544m

## EMERGENCY STARTING (with Start&Stop system with dummy pole) (for versions/markets where provided)

In case of vehicle jump starting, never connect the negative cable (-) of the auxiliary battery to the negative pole B-fig. 123a of the vehicle battery, rather to the dummy pole A or to an engine/gearbox earth point.

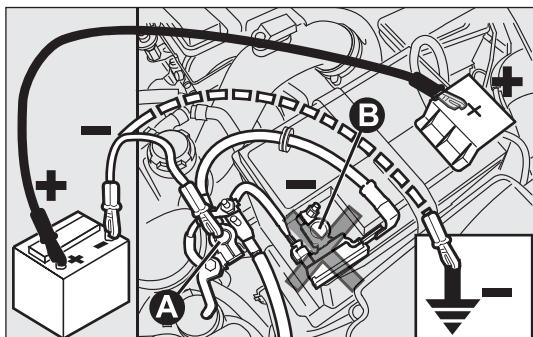


fig. 123a

F0U0545m

## EMERGENCY STARTING (with Start&Stop system without dummy pole) (for versions/markets where provided)

When jump starting, never connect the negative lead (-) of the auxiliary battery to the negative pole A-fig. 123b of the car battery, but rather to an engine/gearbox earth point.

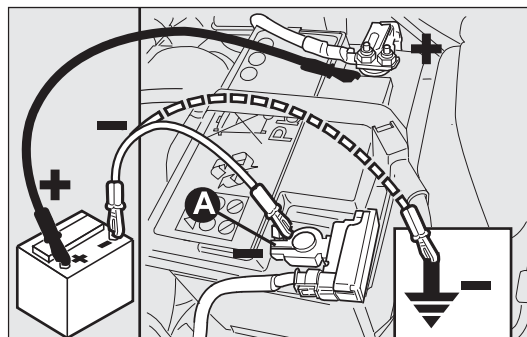


fig. 123b

F0U0546m

KNOWING  
YOUR  
VEHICLE

SAFETY

STARTING  
AND DRIVING

WARNING LIGHTS  
AND MESSAGES

IN AN  
EMERGENCY

SERVICING  
AND CARE

TECHNICAL  
SPECIFICATIONS

CONTENTS



**IMPORTANT**



**WARNING**

Before opening the bonnet, make sure that the car is switched off and the key is in the OFF position. Follow the instructions on the plate near the front crossmember fig. 124a. It is advisable to extract the key when there are other people in the car. The car should always be evacuated after the key has been removed or turned to the OFF position. During refuelling operations, it is necessary to make sure that the car is off with the ignition key in the OFF position.

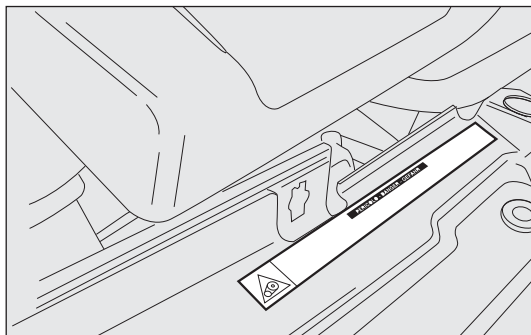


fig. 124a

FOU0206m



**WARNING**

For cars with a Dualogic transmission, if the engine cuts out automatically on a gradient, it is advisable to restart the engine by moving the gear lever towards (+) or (-) without releasing the brake pedal. For vehicles with Dualogic transmission, where the Hill Holder function is present, in case of stop downhill the motor does not cut off automatically, so as to make the Hill Holder function - which is active only when the engine is running - available.



**WARNING**

If you want to prioritise climate comfort, the Start&Stop system can be disabled to allow continuous operation of the climate control system.

## GEAR SHIFT INDICATOR SYSTEM

(for versions/markets where provided)

The “GSI” system (Gear Shift Indicator) advises the driver to change gear via a signal on the instrument panel (see fig. 124b).

Through the GSI, where provided, the driver is advised that changing gear will reduce fuel consumption.

Therefore, for driving oriented towards cutting fuel consumption, it is recommended to follow the suggestions of the Gear Shift Indicator.

When the SHIFT UP icon (▲ SHIFT) is shown on the display, the GSI is advising the driver to select a higher gear, while the SHIFT DOWN icon (▼ SHIFT) suggests a lower gear should be engaged.

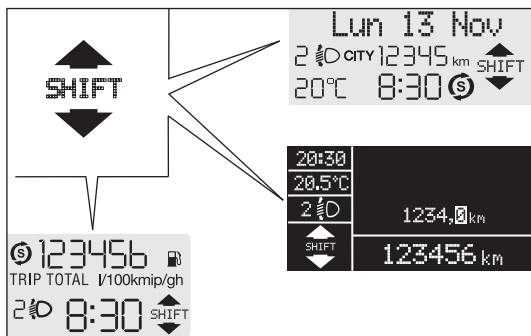


fig. 124b

FOU0270m

## PARKING SENSORS

(for versions/markets where provided)

The parking sensors are located on the rear bumper (see fig. 125) and their function is to inform the driver, through an intermittent beeping, of the presence of obstacles behind the car.

### ACTIVATION

The sensors are automatically activated when the reverse gear is engaged.

As the distance from the obstacle behind the car decreases, the beeping becomes more frequent.

### AUDIBLE WARNING

When reverse gear is engaged an intermittent beeping is automatically activated.

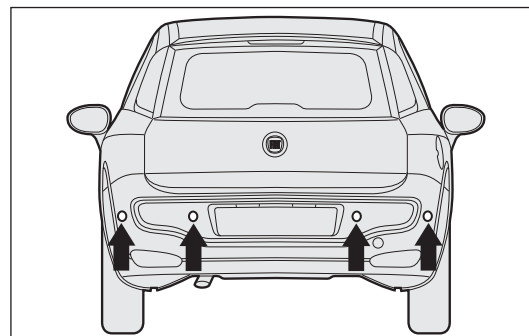


fig. 125

FOU0108m

KNOWING  
YOUR  
VEHICLE

SAFETY

STARTING  
AND DRIVING

WARNING LIGHTS  
AND MESSAGES

IN AN  
EMERGENCY

SERVICING  
AND CARE

TECHNICAL  
SPECIFICATIONS

CONTENTS

The beeping:

- increases as the distance between the car and the obstacle decreases;
- becomes continuous when the distance between the car and the obstacle is less than around 30 cm and stops immediately if the distance increases;
- is constant if the distance is unvaried; if this situation occurs for the side sensors, the beeping will stop after about 3 seconds to avoid, for example, warning indications in the event of manoeuvres alongside walls.

### Detection distances

If several obstacles are detected by the sensors, only the nearest one is considered.

### FAILURE INDICATIONS

See “Warning lights and messages” section.

### OPERATION WITH TRAILER

The operation of the sensors is automatically deactivated when the trailer electric plug is inserted in the car tow hook socket.

The sensors are automatically enabled again when the trailer cable plug is removed.

When using special washing equipment such as high pressure jets or steam cleaning, clean the sensors very quickly keeping the jet more than 10 cm away.



**The sensor must be clean of mud, dirt, snow or ice in order for the system to work. Be careful not to scratch or damage the sensors while cleaning them. Avoid using dry, rough or hard cloths. The sensors should be washed with clean water, possibly with some car shampoo.**



### WARNING

**The driver always has ultimate responsibility for parking and other dangerous manoeuvres. When parking, make sure that no-one is standing in the area, especially children or animals. The parking sensors are designed to assist drivers: in all cases, you must always pay the utmost attention during potentially dangerous manoeuvres, even when carried out at low speed.**

### GENERAL WARNINGS

- When parking, watch out for obstacles that may be above or under the sensors.
- Sometimes, objects placed close to the car are not detected and could therefore cause damage to the car or be damaged themselves.
- Indications sent by the sensors can be altered by dirt, snow or ice deposited on the sensors or by ultrasound systems (e.g. truck pneumatic brakes or pneumatic hammers) near the car.

## SOUND SYSTEM

(for versions/markets where provided)

For the operation of the radio with CD/MP3 player (where provided), read the Supplement attached to this Owner Handbook.

### SOUND SYSTEM CAPABILITY

(for versions/markets where provided)

The system consists of:

- sound system power cables;
- front and rear speaker connecting wires;
- aerial power cable;
- 2 tweeters on front doors (30W max power each);

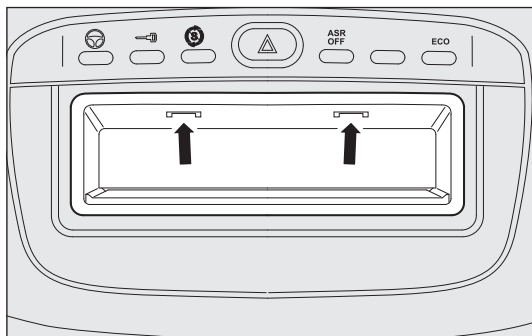


fig. 126

F0U0109m

- 2 mid-woofers on front doors (165 mm diameter, 40W max power each);
- 2 full-range speakers on rear doors and rear valance panels (130 mm diameter, 40W max power each);
- radio aerial wire;
- aerial.

### Sound system installation

The sound system must be installed in the place occupied by the central oddments compartment, where you will find the wiring.

To extract the compartment, press in the points shown in the diagram corresponding to the retainer systems.



#### WARNING

**For connection to the preset cables, contact a Fiat Dealership to prevent any problem that could impair car safety.**

KNOWING  
YOUR  
VEHICLE

SAFETY

STARTING  
AND DRIVING

WARNING LIGHTS  
AND MESSAGES

IN AN  
EMERGENCY

SERVICING  
AND CARE

TECHNICAL  
SPECIFICATIONS

CONTENTS

## CD CHANGER CAPABILITY

(for versions/markets where provided)

The system consists of:

- power cables
- connection cables.



### WARNING

*For connection to the preset cables, contact a Fiat Dealership to prevent any problem that could impair car safety.*

## SATELLITE NAVIGATION SYSTEM CAPABILITY

(for versions/markets where available)

On cars equipped with the Blue&Me™ system, there may be (on request) capacity to install the Blue&Me™ Tom-Tom® satellite navigation system, which is available from Lineaccessori Fiat.

Install the navigation system by inserting the specific support bracket into the housing shown in fig. 127.

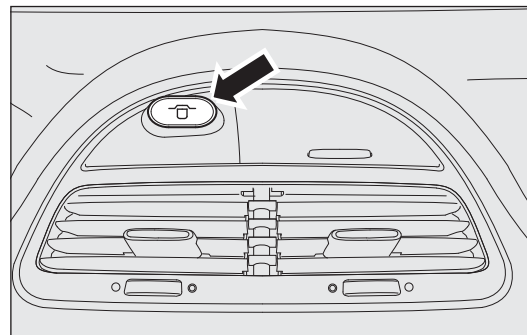


fig. 127

F0U0110m

## ACCESSORIES PURCHASED BY THE OWNER

If, after buying the vehicle, you decide to install electrical accessories that require a permanent electrical supply (sound system, satellite anti-theft system, etc.) or ones that drain the battery, contact a Fiat Dealership, whose qualified personnel, besides suggesting the most suitable devices from Lineaccessori Fiat, will also check whether the vehicle's electrics are able to withstand the load required, or whether they need to be integrated with a more powerful battery.



### WARNING

***Take care when fitting additional spoilers, alloy wheels or non-standard wheel hubs: they could reduce the ventilation of the brakes and affect efficiency under sharp, repeated braking or on long descents. Make sure that nothing obstructs the pedals (mats, etc.)***

## INSTALLING ELECTRICAL/ELECTRONIC DEVICES

Electrical and electronic devices installed after buying the car in the context of after-sales service must carry the following label:



Fiat Auto S.p.A. authorises the installation of transceiving devices provided that they are installed by a specialised centre according to rules of good engineering practice in compliance with the manufacturer's instructions.

**IMPORTANT** Traffic police may not allow the car on the road if devices have been installed which modify the features of the car. This may also cause invalidation of warranty in relation to faults caused by the change or either directly or indirectly related to it.

Fiat Auto S.p.A. shall not be liable for damage caused by the installation of accessories either not supplied or recommended by Fiat Auto S.p.A. and/or not installed in compliance with the provided instructions.

## RADIOTRANSMITTERS AND MOBILE PHONES

Radio transmitter equipment (vehicle mobile phones, CB radios, amateur radio etc.) shall not be used inside the car unless a separate aerial is mounted on the roof.

**IMPORTANT** The use of these devices inside the passenger compartment (without a separate aerial) may cause the vehicle electrical systems to malfunction. This could compromise safety in addition to constituting a potential hazard for passengers' health.

In addition, transmission and reception of these devices may be affected by the shielding effect of the car body. As far as the use of EC-approved mobile phones is concerned (GSM, GPRS, UMTS), follow the instructions for use provided by the mobile phone manufacturer.

KNOWING  
YOUR  
VEHICLE

SAFETY

STARTING  
AND DRIVING

WARNING LIGHTS  
AND MESSAGES

IN AN  
EMERGENCY

SERVICING  
AND CARE

TECHNICAL  
SPECIFICATIONS

CONTENTS

## REFUELLING THE CAR

### PETROL ENGINES

Use only unleaded petrol.

SAFETY

To avoid mistakes, the diameter of the fuel tank opening is too small to insert the nozzle of a leaded petrol pump. The petrol octane rating (RON) must not be lower than 95.

STARTING  
AND DRIVING

**IMPORTANT** An inefficient catalytic converter leads to harmful exhaust emissions, thus contributing to air pollution.

WARNING LIGHTS  
AND MESSAGES

**IMPORTANT** Never use leaded petrol, even in small amounts or in an emergency, as this would damage the catalytic converter beyond repair.

### DIESEL ENGINES

IN AN  
EMERGENCY

If the outside temperature is very low, the diesel thickens due to the formation of paraffin clots and could clog the diesel filter. In order to avoid these problems, different types of diesel are distributed according to the season: summer type, winter type and arctic type (cold, mountainous areas).

SERVICING  
AND CARE

If refuelling with diesel fuel whose specifications are not suitable for the usage temperature, it is advisable to mix TUTELA DIESEL ART additive in the proportions shown on the container with the fuel. Pour the additive into the tank before the fuel.

TECHNICAL  
SPECIFICATIONS

CONTENTS

When using or parking the vehicle for a long time in the mountains or cold areas, it is advisable to refuel using locally available diesel.

In this case, it is also advisable to keep the tank over 50% full.



**For diesel engines, use only diesel fuel for motor vehicles in accordance with EN590 European specifications. The use of other products or mixtures may damage the engine beyond repair and consequently invalidate the warranty, depending on the damage caused. If you accidentally introduce other types of fuel into the tank, do not start the engine. Empty the tank. If the engine has run, even for a very short time, you will need to have the entire fuel system emptied in addition to the tank.**

### FUEL TANK CAP fig. 128

To carry out refuelling, open lid A and unscrew cap B; the cap is fitted with a device C which fastens it to the lid so it cannot be mislaid.

In some versions, cap B have a lock and key: open lid A, insert the ignition key then turn it anti-clockwise and unscrew the cap itself.

The hermetic seal may cause a slight increase in pressure in the tank. A suction noise when you release the cap is therefore entirely normal.

When refuelling, attach the cap to the device inside the flap as shown in fig. 128.



## WARNING

**Do not bring naked flames or lit cigarettes near to the fuel tank opening: fire risk. Keep your face away from the fuel tank opening to avoid breathing in harmful vapours.**

### Filling the tank

To fill the tank completely, top up twice after the first click of the trigger. Further top ups could cause faults in the fuel supply system.

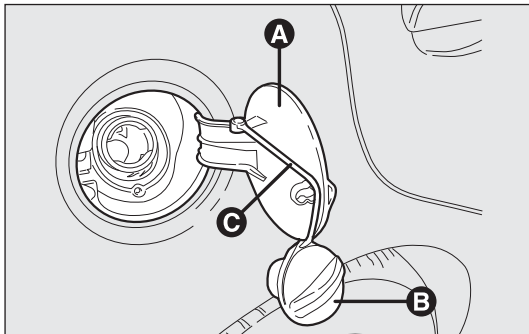


fig. 128

FOU0111m

## PROTECTING THE ENVIRONMENT

The devices for reducing petrol engine emissions are the following:

- three-way catalytic converter;
- Lambda sensors;
- fuel evaporation prevention system.

In addition, do not let the engine run, even for a test, with one or more spark plugs disconnected. The following devices are used for reducing diesel fuel engine emissions:

- oxidising catalytic converter;
- exhaust gas recirculation system (EGR.);
- diesel particulate filter (DPF) (for versions/markets where provided).

### KNOWING YOUR VEHICLE

SAFETY

STARTING AND DRIVING

WARNING LIGHTS AND MESSAGES

IN AN EMERGENCY

SERVICING AND CARE

TECHNICAL SPECIFICATIONS

CONTENTS



**WARNING**

*The diesel particulate filter (DPF) (for versions/markets where required) reaches high temperatures during normal operation. Therefore do not therefore park the vehicle on inflammable materials (grass, dry leaves, pine needles, etc.): fire hazard.*

**WARNING**

*The catalytic converter also reaches high temperatures during normal operation. Do not park the vehicle on grass, dry leaves, pine needles or other flammable material: fire hazard.*

**DIESEL PARTICULATE FILTER (DPF)**

(for versions/markets where provided)

The Diesel Particulate Filter is a mechanical filter, integral to the exhaust system, that physically traps particulates present in the exhaust gases of diesel engines.

It is needed to eliminate almost all particulates in compliance with current/future legislation.

During normal use of the vehicle, the engine control unit records a set of data (e.g. travel time, type of route, temperatures, etc.) and it will then calculate how much particulate has been trapped by the filter.

Since this filter physically traps particulate, it should be regenerated (cleaned) at regular intervals by burning the carbon particles.

The regeneration procedure is handled automatically by the engine control unit according to the filter conditions and vehicle use conditions.

During regeneration, the following may occur: a limited increase in the engine speed, activation of the fan, a limited increase in fumes and high temperatures at the exhaust. These are not faults; they do not impair vehicle performance or damage the environment.

If the dedicated message is displayed, refer to the “Warning lights and messages” section.

# SAFETY

## SEAT BELTS

### USING THE SEAT BELTS fig. 129

The belt should be worn keeping the torso straight and rested against the back of the seat.

To fasten the seat belts, hold the tongue A and insert it into the buckle B, until the locking click is heard.

If the seat belt jams, let it rewind for a short stretch, then pull it out again without jerking.

To unfasten the seat belts, press button C. Guide the seat belt with your hand while it is rewinding, to prevent it from twisting.

Through the reel, the belt automatically adapts to the body of the passenger wearing it, allowing freedom of movement.

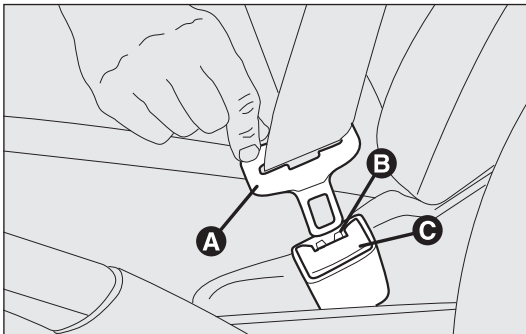


fig. 129

FOU0112m

 **WARNING**  
**Never press button C-fig. 129 when travelling.**

The rear seat belts should be worn as shown in fig. 130.

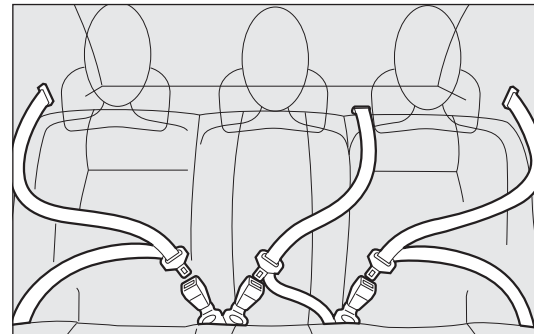


fig. 130

FOU0113m

KNOWING  
YOUR  
VEHICLE

SAFETY

STARTING  
AND DRIVING

WARNING LIGHTS  
AND MESSAGES

IN AN  
EMERGENCY

SERVICING  
AND CARE

TECHNICAL  
SPECIFICATIONS

CONTENTS

**IMPORTANT** When the red band next to the backrest folding levers fig. 131 disappears, it means the backrest is properly secured. If you can still see the red band, the backrest is not securely fastened. When returning the backrest to its normal position, make sure it is correctly fastened and you hear the lock click.

**IMPORTANT** After putting the seats back to their normal position, make sure the seat belts are positioned so they are ready to use.

**WARNING**

**Remember that, in the event of a violent collision, back seat passengers not wearing seat belts represent a serious danger not only to themselves but also to the front seat passengers.**

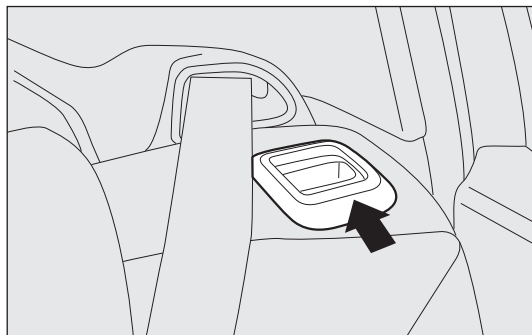


fig. 131


FOU0114m

**WARNING**

**Ensure that the backrest is properly secured on both sides so that it does not fly forwards in the event of sharp braking and injure passengers.**

**SBR SYSTEM**

(for versions/markets where provided)

The car is fitted with the SBR system (Seat Belt Reminder), consisting of a warning sound which, together with the warning light  lighting up on the instrument panel, alerts the driver and front passenger that their seat belt is not fastened.

For permanent deactivation, contact a Fiat Dealership. With a digital display, the SBR system can be reactivated only at a Fiat Dealership. With a multifunction display, the SBR system can also be re-enabled through the setup menu.

## PRETENSIONERS

To increase the efficiency of the seat belts, the car is fitted with front pretensioners. These devices, in the event of a violent crash, rewind the seat belts by a few centimetres. In this way, they ensure that the seat belt adheres perfectly to the wearer before the restraining action begins.

The seat belt reel locks to indicate that the pretensioners have intervened; the seat belt cannot be drawn back up even when guiding it manually.

This car is equipped with a second pretensioner (in the kick plate area). Its activation is signalled by the shortening of the metal cable.

**IMPORTANT** To obtain the highest degree of protection from the action of the pretensioning device, wear the seat so it fits snugly over the chest and hips.

A slight amount of smoke may be detected during operation of the pretensioners. This smoke is not harmful and does not indicate a fire.

The pretensioner does not require any maintenance or lubrication.

Anything that modifies its original conditions invalidates its efficiency.

If, due to unusual natural events (floods, sea storms, etc.), the device has been affected by water and mud, it must be replaced.



### WARNING

**The pretensioner can be used only once. Go to a Fiat Dealership to have it replaced after it has been deployed. Consult the label in the glove box to check the status of the pretensioners. Go to a Fiat Dealership to have the device replaced when the expiration date approaches.**



**Operations which lead to knocks, vibrations or localised heating (over 100°C for a maximum of 6 hours) in the area around the pretensioners may cause damage or trigger them. These devices are not affected by vibrations caused by irregularities of the road surface or low obstacles such as kerbs, etc. Contact a Fiat Dealership for any assistance.**

## LOAD LIMITERS

To increase passenger safety, the front seat belt reels contain a load limiter which controls the force acting on the chest and shoulders during the belt restraining action in the event of a head-on collision.

KNOWING  
YOUR  
VEHICLE

SAFETY

STARTING  
AND DRIVING

WARNING LIGHTS  
AND MESSAGES

IN AN  
EMERGENCY

SERVICING  
AND CARE

TECHNICAL  
SPECIFICATIONS

CONTENTS

## GENERAL INSTRUCTIONS FOR USING THE SEAT BELTS

The driver is responsible for respecting, and ensuring that all the other occupants of the car also respect, the local laws in force in relation to the use of the seat belts. Always fasten the seat belts before setting off.

Seat belts must also be worn by expectant mothers: the risk of injury in the event of an accident is greatly reduced for them and the unborn child if they are wearing a seat belt.

Of course, mothers-to-be must position the lower part of the belt very low down so that it passes over the pelvis and under the abdomen fig. 132.

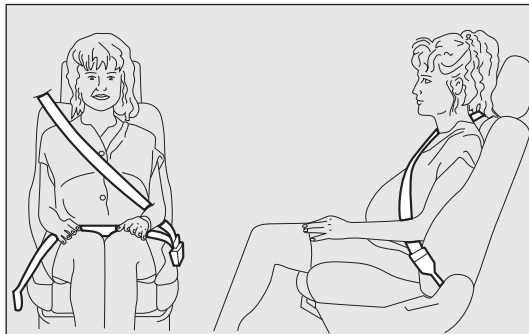


fig. 132

FOU0115m



### WARNING

*The belt must not be twisted. The upper part must cross the shoulder and the chest diagonally. The lower part must adhere to the hips fig. 133, not to the abdomen. Do not use devices (clips, clamps, etc.) that prevent the belts from being snug to the passenger's body.*



### WARNING

*For maximum protection, keep the backrest straight: lean back into the backrest and keep the seat belt fairly tight across the chest and hips. Always fasten the seat belts on both the front and the rear seats! Travelling without seat belts fastened increases the risk of serious injuries or even death in the event of a crash.*

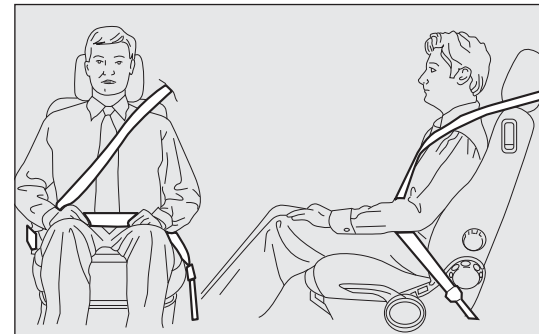


fig. 133

FOU0116m



### WARNING

*Under no circumstances should the seat belt and pretensioner components be removed or tampered with. All operations must be performed by qualified and authorised personnel. Always go to a Fiat Dealership.*



### WARNING

*If the belt has been subjected to a heavy stress, for example after an accident, it should be changed completely together with the anchors, anchor fastening screws and the pretensioner. In fact, even if the belt has no visible defects, it could have lost its resilience.*



fig. 134

F0U0117m



### WARNING

*Each seat belt must be worn by one person only; passengers should not have babies or children on their lap and use the belts to protect both of them. In general, do not place any objects between the person and the belt.*

## HOW TO KEEP THE SEAT BELTS EFFECTIVE

Observe the following precautions for correct seat belt maintenance:

- always make sure the belt is well stretched and never twisted; make sure that it is free to run without obstructions;
- replace the belt after a serious accident, even if it does not appear damaged. Always replace the seat belt if the pretensioners were deployed;
- to clean the belt, wash by hand with water and mild soap, rinse and leave to dry in the shade. Do not use strong detergents, bleach, paints or any other chemicals which could damage the belt fibres;
- prevent the reels from getting wet: their correct operation is guaranteed only if water does not get inside;
- replace the seat belt when it shows signs of significant wear or cuts.

KNOWING  
YOUR  
VEHICLE

SAFETY

STARTING  
AND DRIVING

WARNING LIGHTS  
AND MESSAGES

IN AN  
EMERGENCY

SERVICING  
AND CARE

TECHNICAL  
SPECIFICATIONS

CONTENTS

## CARRYING CHILDREN SAFELY

For optimum protection in the event of a crash, all passengers must be seated and wearing adequate restraint systems.

This is even more important for children.

This prescription is compulsory in all EU countries pursuant to Directive 2003/20/EC.

Compared with an adult, a child's head is larger and heavier in proportion to his/her body and the child's muscular and bone structures are not fully developed. For this reason, they require restraint systems which are different from those used by adults to protect them in the event of an accident. The result of research in relation to the best protection for children is illustrated in European Regulation ECE-R44, which divides the restraint systems into five groups in addition to making their use compulsory:

Group 0	up to 10 kg
Group 0+	up to 13 kg
Group 1	9-18 kg
Group 2	15-25 kg
Group 3	22-36 kg

As you can see, the groups overlap partly and, in fact, there are devices on sale that cover more than one weight group. All child restraint devices must bear the certification data, together with the control brand, on a solidly fixed to the seat label which must never be removed.

When over 1.50 m in height, from the point of view of restraint systems, children are considered as adults and have to wear the standard seat belts.

Lineaccessori Fiat has child seats for each weight group. These devices are recommended, having been specifically designed for Fiat cars.

### GROUPS 0 and 0+

Babies up to 13 kg must be carried facing backwards on a cradle seat, which, by supporting the head, does not induce stress on the neck in the event of sharp deceleration.

The cradle is held in place by the car seat belts fig. 135 and in turn it must restrain the child with its own belts.

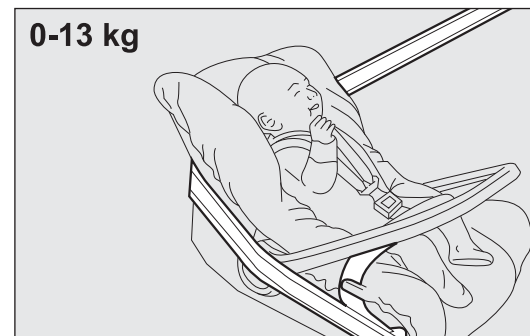


fig. 135

F0U0118m




### WARNING

Do not place a cradle seat facing backwards on the front seat if the passenger side airbag is enabled. Deployment of the airbag in an accident could cause fatal injuries to the baby regardless of the severity of the collision. It is advisable to always carry children in dedicated child seats on the rear seat, which is the most protected position in the event of an accident.



### WARNING



**SERIOUS HAZARD** Should it be absolutely necessary to carry a child on the front seat in a backwards-facing cradle seat, the passenger's front and side airbags should be deactivated through the setup menu. Deactivation can be verified by checking the  warning light on the instrument panel. Also, the passenger seat should be as far back as possible to avoid contact between the child seat and the dashboard.



### WARNING

The diagram is only an indication. For assembly, refer to the instructions supplied with the child seat.



### WARNING

Some child restraint systems for weight groups 0 and 1 have a rear attachment and seat belts for securing the child. Due to their weight, they may be dangerous if incorrectly mounted (e.g. if fastened to the car seat belts with a cushion in between). Follow the assembly instructions carefully.

## GROUP I

From 9 kg to 18 kg of weight, children may be carried facing forwards.



fig. 136

F0U0119m

KNOWING YOUR VEHICLE

SAFETY

STARTING AND DRIVING

WARNING LIGHTS AND MESSAGES

IN AN EMERGENCY

SERVICING AND CARE

TECHNICAL SPECIFICATIONS

CONTENTS

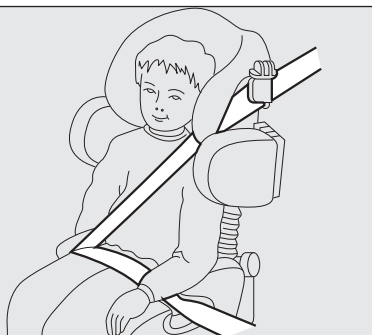


**GROUP 2**

Starting from 15 kg to 25 kg in weight, children may be restrained directly by the car belts fig. 137. The only function of the seat is to position the child correctly in relation to the belts, so that the diagonal part adheres to the chest and not to the neck and that the horizontal part fits over the child's hips and not the abdomen.

**WARNING**

*The diagram is only an indication. For assembly, refer to the instructions supplied with the child seat.*

**15-25 kg**

FOU0120m

fig. 137

**GROUP 3**

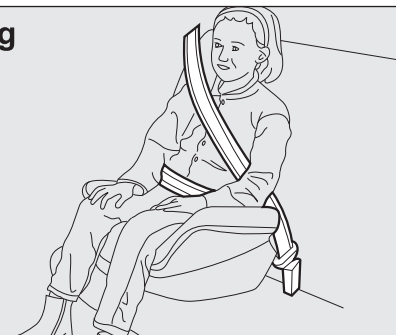
For children between 22 kg and 36 kg, there are boosters allowing the seatbelt to fit correctly.

Fig. 138 shows proper child seat positioning on the rear seat.

Children over 1.50 m in height can wear seat belts like adults.

**WARNING**

*The diagram is only an indication. For assembly, refer to the instructions supplied with the child seat.*

**22-36 kg**

FOU0121m

fig. 138

## SUITABILITY OF PASSENGER SEATS FOR CHILD SEAT USE

The car complies with the new European Directive 2000/3/EC which governs the arrangement possibilities for child seats on the various seats of the car as shown in the following table:

Group	Weight range	Front passenger	Rear passenger	Central rear passenger
Groups 0, 0+	up to 13 kg	U (▼)	U	*
Group 1	9-18 kg	U (▼)	U	*
Group 2	15-25 kg	U (▼)	U	*
Group 3	22-36 kg	U (▼)	U	*

Key:

U = suitable for child restraint systems in the “Universal” category, according to European Standard ECE-R44 for the specified “Groups”.

(▼) on cars whose passenger seat is not adjustable in height, the backrest must be perfectly upright.

\* Never put any type of child seat on the central rear seat.

KNOWING  
YOUR  
VEHICLE

SAFETY

STARTING  
AND DRIVING

WARNING LIGHTS  
AND MESSAGES

IN AN  
EMERGENCY

SERVICING  
AND CARE

TECHNICAL  
SPECIFICATIONS

CONTENTS

## Below is a summary of the safety rules to be followed when carrying children:

- 1) The recommended position for installing child seats is on the rear seat, as it is the most protected area in the event of a crash.
- 2) When disengaging the passenger airbag, always check the amber warning light on the instrument panel is permanently on to make sure that the airbag has actually been deactivated.
- 3) Carefully follow the instructions that came with the child seat, which the manufacturer must supply by law. Keep the instructions in the car along with the other documents and this handbook. Do not use second hand child seats without instructions.
- 4) Always check the seat belt is well fastened by pulling on it.
- 5) Only one child is to be strapped into each retaining system; never carry two children using one child seat.
- 6) Always check the seat belts do not rest on the child's neck.
- 7) While travelling, do not let the child sit incorrectly or release the belts.
- 8) Never carry children on your lap, even newborns. No one, however strong, can hold a child in the event of an accident.
- 9) In the event of an accident, replace the child seat with a new one.



### WARNING

*Do not place a child seat facing backwards on the front seat if the passenger side airbag is enabled. Deployment of the airbag in an accident could cause fatal injuries to the baby regardless of the severity of the collision. It is advisable to always carry children in a child seat on the rear seat, which is the most protected position in the event of a collision.*

## “UNIVERSAL ISOFIX” CHILD RESTRAINT ASSEMBLY SETUP

The car is provisioned for a Universal Isofix child restraint, a new European standardised system for carrying children safely. An example of such a seat is shown in fig. 139. The Universal Isofix child seat covers weight group 1. Due to its different attachment system, the Universal Isofix child seat must be anchored to the special low metal rings A-fig. 140, located between the backrest and rear cushion. The upper belt (provided with the child seat) must be then secured to ring B-fig. 141 located on the back of the backrest at child seat level. It is possible to have a mixed assembly of the traditional child seats and the Universal Isofix ones. Remember that, in the case of Universal Isofix child seats, you can use all those seats bearing the marking ECE R44/03 Universal Isofix.

The Universal Isofix “Duo Plus” child seat and the special “G 0/1” seat are available from Lineaccessori Fiat.

For any further details on installation/use, refer to the instruction manual for the child seat.



## WARNING

**Fit the child seat when the car is stationary. The child seat is correctly anchored to the brackets when you hear the click. Follow the instructions for assembly, disassembly and positioning that the child seat manufacturer must supply.**

KNOWING  
YOUR  
VEHICLE

SAFETY

STARTING  
AND DRIVING

WARNING LIGHTS  
AND MESSAGES

IN AN  
EMERGENCY

SERVICING  
AND CARE

TECHNICAL  
SPECIFICATIONS

CONTENTS

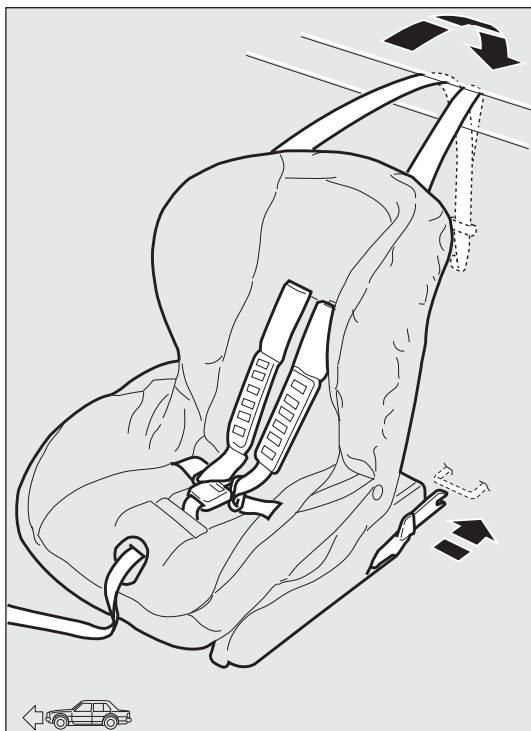


fig. 139

F0U0122m

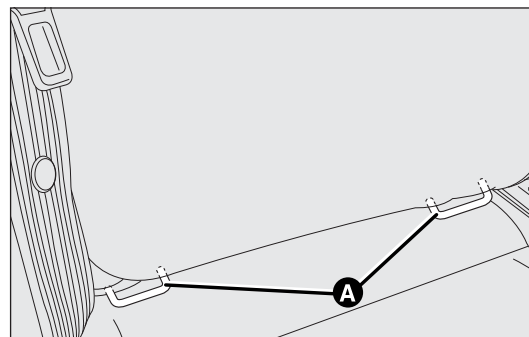


fig. 140

F0U0123m

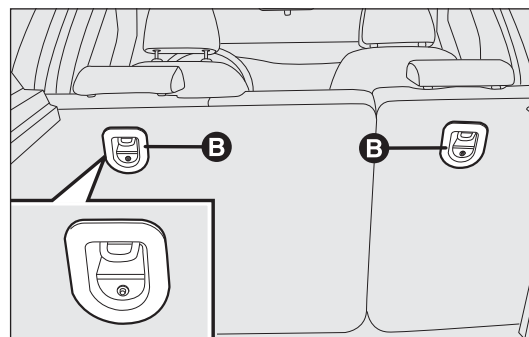


fig. 141

F0U0124m

## PASSENGER SEAT COMPLIANCE FOR USING UNIVERSAL ISOFIX CHILD SEATS

The table below shows the different installation possibilities of Universal Isofix restraint systems on the seats fitted with Isofix fasteners, in accordance with European standard ECE 16.

## SAFETY

Weight group	Child seat orientation	Isofix size class	Rear side Isofix position
Group 0 up to 10 kg	Facing backwards	E	IL
Group 0+ up to 13 kg	Facing backwards	E	IL
	Facing backwards	D	IL
	Facing backwards	C	IL
	Facing backwards	D	IL
Group I from 9 to 18 kg	Facing backwards	C	IL
	Facing forwards	B	IUF
	Facing forwards	BI	IUF
	Facing forwards	A	IUF

IUF: suitable for forward-facing Isofix child restraint systems, universal class (fitted with third upper fastener), approved for the weight group.

IL: suitable for specific Isofix-type child restraint systems approved for this type of car. The seat can be installed by moving the front seat forward.

## FRONT AIRBAGS

The car is fitted with front airbags for the driver and the passenger, and with a knee bag on the driver's side (where provided).

The front driver/passenger airbags and the driver's knee bag (where provided) have been designed to protect the occupants in the event of head-on crashes of medium/high severity, by placing the cushion between the occupant and the steering wheel or dashboard.

Non-activation in other types of crash (side-on collisions, rear shunts, roll-overs, etc.) is therefore not a sign of system malfunction.

An electronic control unit causes the bag to inflate, if necessary, in the event of a head-on crash. The bag will inflate instantaneously, placing itself between the front occupant's body and the structures which could cause injury. It will deflate immediately afterwards.

The front driver/passenger airbags and the driver's knee bag (where provided) are not a replacement for, but rather complement the use of, belts, which should always be worn, as specified by law in Europe and most non-European countries.

The volume of the front airbags at maximum inflation fills most of the space between the steering wheel and the driver and between the dashboard and the passenger.

In the event of an impact, someone not wearing a seat belt could move forward and come into contact with a bag which is still in the opening phase. The protection offered by the bag is reduced in such a case.

Front airbags may not be activated in the following situations:

- in collisions against very strangely shaped objects that do not affect the front surface of the car (e.g. wing collision against guard rail, piles of gravel etc.);
- jamming of the car underneath other vehicles or protective barriers (e.g. underneath a truck or a guard rail); in this case, the bags would offer no additional protection with respect to the seat belt and their deployment is unnecessary. In these cases, non-deployment of the airbag does not necessarily indicate a system malfunction.



### WARNING

***Do not apply stickers or other objects on the steering wheel, passenger side airbag cover or upper side upholstery. Do not place objects (e.g. mobile phones) on the passenger side dashboard because these could interfere with the correct opening of the airbag and cause severe injury to occupants.***

The airbags are not deployed in the event of minor collisions (for which the withholding action of the seat belts is sufficient). For this reason, the seat belt must be worn at all times. In the case of side-on collisions, the seat belts hold occupants in the correct position and prevent them from being thrown out of the car by a very violent impact.

KNOWING  
YOUR  
VEHICLE

SAFETY

STARTING  
AND DRIVING

WARNING LIGHTS  
AND MESSAGES

IN AN  
EMERGENCY

SERVICING  
AND CARE

TECHNICAL  
SPECIFICATIONS

CONTENTS

## FRONT AIRBAG ON DRIVER'S SIDE

fig. 142

This consists of an instant-inflating bag contained in a special compartment in the centre of the steering wheel.

## FRONT AIRBAG ON PASSENGER SIDE

fig. 143

This consists of an instant-inflating bag contained in a special compartment in the dashboard: this bag has a larger volume than that of the driver's.

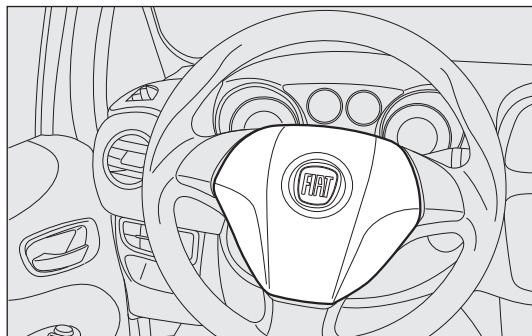


fig. 142

FOU0125m



### WARNING

**WARNING:** Do not put child seats facing backwards on the front seat if the passenger's airbag is enabled (ON). Deployment of the airbag in an accident could cause fatal injuries to the baby. Should it be absolutely necessary to place a child seat on the front seat, always deactivate the passenger airbag. Also, the passenger seat should be as far back as possible to avoid contact between the child seat and the dashboard. Although this is not mandatory by law, the airbag should be immediately reactivated when children are no longer carried to ensure better protection for adults.

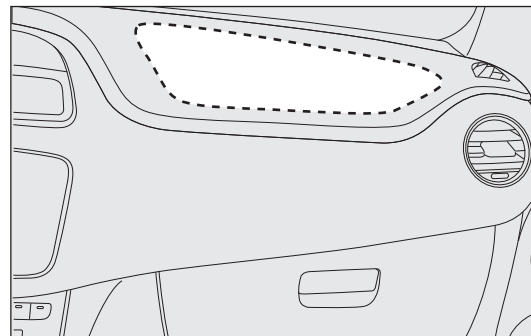


fig. 143

FOU0126m

## KNEE BAG ON DRIVER'S SIDE fig. 144

(for versions/markets where provided)

This consists of an instant-inflating bag contained in a special compartment under the steering wheel at knee level, designed to give further protection in the event of a head-on crash.

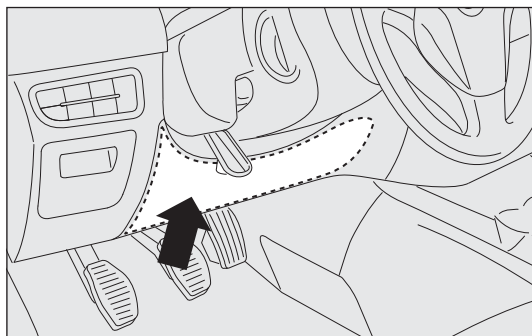



fig. 144

F0U0343m

## MANUAL DEACTIVATION OF FRONT AND SIDE PASSENGER AIRBAGS

(for versions/markets where provided)

Should it be absolutely necessary to carry a child on the front seat, the passenger front and side airbags can be deactivated. The instrument panel warning light  will stay on constantly until the passenger front and side airbags are reactivated.

KNOWING  
YOUR  
VEHICLE

**SAFETY**

STARTING  
AND DRIVING

WARNING LIGHTS  
AND MESSAGES

IN AN  
EMERGENCY

SERVICING  
AND CARE

TECHNICAL  
SPECIFICATIONS

CONTENTS



**WARNING**

*To manually deactivate the passenger's front and side chest/pelvis airbags (for versions/markets where provided), refer to paragraphs "Digital display" and "Multifunction display" in the section "Dashboard and controls".*

**SIDE AIRBAGS**

The car is fitted with front side airbags for driver and passenger (for versions/markets where provided) for protecting the chest and pelvis, and window bags (for versions/markets where provided) for protecting the heads of front and rear occupants.

Side airbags (for versions/markets where provided) protect car occupants from side-on crashes of medium/high severity by placing the bag between the occupant and the internal parts of the side structure of the car. Non-activation of side bags in other types of collisions (head-on collisions, rear shunts, roll-overs, etc...) is not an indication of system malfunction. In the event of a side-on crash, an electronic control unit triggers the inflation of the bag if required. The cushion immediately inflates, placing itself between the occupant's body and structures that could cause injuries, the cushion deflates immediately afterwards. Side bags (for versions/markets where provided) are not a replacement for, but rather a complement to, the seat belts, which should be worn at all times as specified by law in Europe and most non-European countries.

## SIDE BAGS fig. 145

(for versions/markets where provided)

Front side airbags are housed in the seat backrests. They consist of an instant-inflation bag designed to increase protection of the occupants' chest and pelvis zone in the event of a side-on crash of medium/high severity.

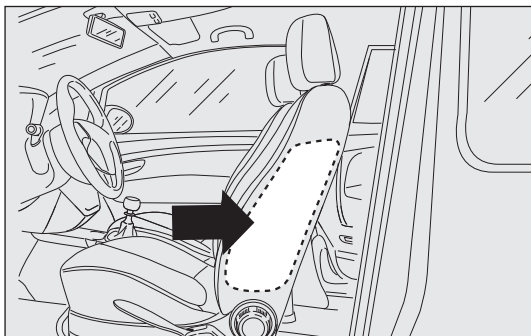


fig. 145

FOU0127m

## WINDOW BAGS fig. 146

(for versions/markets where provided)

These consist of two “curtain” cushions, one on the right and the other on the left side of the car, located behind the side coverings of the roof and covered by appropriate finishings.

Window bags have been designed for protecting the head of front and rear occupants in the event of a side-on collision, thanks to the wide cushion inflation surface.

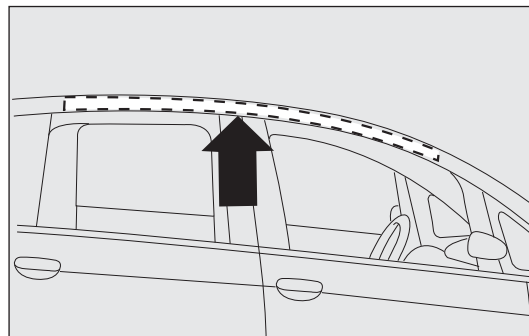


fig. 146

FOU0128m

KNOWING  
YOUR  
VEHICLE

SAFETY

STARTING  
AND DRIVING

WARNING LIGHTS  
AND MESSAGES

IN AN  
EMERGENCY

SERVICING  
AND CARE

TECHNICAL  
SPECIFICATIONS

CONTENTS

**IMPORTANT** In the event of a side-on crash, the system offers the best protection if you have a correct position on the seat because this allows the side bags to inflate correctly.

**IMPORTANT** The front airbags and/or side bags may be deployed if the car is subject to heavy knocks involving the underbody area, such as violent shocks against steps, kerbs or low obstacles, the car falling into big holes or hollows in the road.

**IMPORTANT** A small amount of dust will be released when the airbags are deployed. The dust is not harmful and does not indicate the beginning of a fire. Furthermore, the surface of the deployed bag and the interior of the car may be covered in a dusty residue: this may irritate skin and eyes. Wash with mild soap and water in the event of exposure.

The expiration dates of the explosive charge and the clock wire are shown on a label contained in the glove box. Go to a Fiat Dealership to have the devices replaced when the expiration date approaches.

**IMPORTANT** Should an accident occur in which any of the safety devices are activated, take the vehicle to a Fiat Dealership to have the activated devices replaced and to have the whole system checked.

Every control, repair and replacement operation concerning the airbags must be carried out only at Fiat Dealerships.

If you are having the car scrapped, have the airbag system deactivated at a Fiat Dealership first. If the car changes ownership, the new owner must be informed of the method of use of the airbags and the above warnings, and also be given this “Owner’s Handbook”.

**IMPORTANT** Pretensioners, front airbags and front side bags are deployed differently according to the type of collision. Non-deployment of one or more of these devices does not therefore indicate a system fault.

## GENERAL WARNINGS



### WARNING

*Do not rest your head, arms or elbows on the doors, windows or window bag deployment area as you could be injured during the inflation phase.*




### WARNING

*Never lean you head, arms or elbows out of the window.*



### WARNING

*If, when turning the key to MAR, the warning light  does not turn on or if it stays on when travelling (together with the message on the multifunction display, where provided), there could be a failure in the safety systems; if this is the case, the airbags or pretensioners may not trigger in the event of an accident or, in a minor number of cases, they could activate incorrectly. Contact a Fiat Dealership immediately to have the system checked before driving off.*



### WARNING

*Do not cover the front seat backrest with sheets or covers that are not compatible with side bags.*



### WARNING

*Do not travel with objects in your lap, in front of your chest, or between your lips (pipes, pencils, etc.). In the event of a crash when the airbag is deployed, you may be seriously injured.*



### WARNING

*Always drive keeping your hands on the steering wheel rim so that, in the event of airbag activation, it can inflate without obstruction. Do not drive with your body slouched forwards; keep the backrest upright and lean back into it.*

KNOWING  
YOUR  
VEHICLE

SAFETY

STARTING  
AND DRIVING

WARNING LIGHTS  
AND MESSAGES

IN AN  
EMERGENCY

SERVICING  
AND CARE

TECHNICAL  
SPECIFICATIONS

CONTENTS


**WARNING**

**If the key is turned to MAR, even if the engine is switched off, airbags may be deployed when the car is stationary and hit by another vehicle. For this reason, young children must never sit on the front seat, even if the car is not moving. We remind you that if the key is turned to the STOP position, no safety device (airbag or pretensioner) activates following a collision. Non-deployment in such cases should not be considered as the sign of a malfunction.**

**WARNING**

**If the car has been stolen or has been the subject of an attempted theft, if it has been vandalised or flooded, have the airbag system checked at a Fiat Dealership.**

**WARNING**

**When the ignition key is turned to MAR, the warning light  turns on (with front airbag on passenger's side enabled) and blinks for a few seconds to remind you that the passenger airbag will activate in the event of a collision. Then it turns off.**

**WARNING**

**Do not pressure wash the seats with steam or water (either by hand or at automatic seat washing stations).**

**WARNING**

**The front airbags deploy in the event of more severe collisions than those required for deploying the pretensioners. For collisions in the range between the two activation thresholds, pretensioner activation alone is normal.**

**WARNING**

**Do not hook rigid objects to clothes hangers and support handles.**

**WARNING**

**The airbag does not replace seat belts; it increases their effectiveness. Furthermore, since front airbags are not deployed in low speed collisions, side-on collisions, rear-end shunts or roll-overs, the passengers are protected only by the seat belts which must therefore be fastened at all times.**

# STARTING AND DRIVING

## STARTING THE ENGINE

The car is fitted with an electronic engine lock device: if the engine fails to start, see the paragraph on “The Fiat CODE system” in the “Dashboard and controls” section. The engine may be noisier during the first few seconds of operation, particularly after a long period of inactivity. This is a feature of hydraulic tappets, the timing system chosen to reduce the number of servicing interventions, and effects neither functionality nor reliability.



***In the first period of use, we recommend that you do not demand maximum performance from the car (e.g. excessive acceleration, extended travel at maximum revs, heavy braking etc.).***



***With the engine off, do not leave the key in the ignition to prevent draining the battery.***



### WARNING

***It is dangerous to let the engine run in enclosed spaces. The engine consumes oxygen and produces carbon dioxide, carbon monoxide and other toxic gases.***



### WARNING

***Remember that the brake booster and power steering are not operational until the engine has been started, therefore you need to apply much more force than usual to the brake pedal and steering wheel.***

## STARTING PROCEDURE FOR PETROL VERSIONS

Proceed as follows:

- ensure that the handbrake is on;
- put the gear lever into neutral;
- fully depress the clutch pedal without touching the accelerator;
- turn the ignition key to AVV and let it go the moment the engine starts.

If the engine does not start at the first attempt, return the ignition key to STOP before repeating the procedure.

KNOWING  
YOUR  
VEHICLE

SAFETY

STARTING  
AND DRIVING



WARNING LIGHTS  
AND MESSAGES


IN AN  
EMERGENCY

SERVICING  
AND CARE

TECHNICAL  
SPECIFICATIONS

CONTENTS




If, when the ignition key is at MAR, the instrument panel warning light  remains on together with warning light , turn the key to STOP and then back to MAR; if the warning light remains on, try with the other keys provided with the car.

**IMPORTANT** If the instrument panel warning light  stays on permanently, contact a Fiat Dealership immediately.


**IMPORTANT** Never leave the ignition key at MAR when the engine is off.


## STARTING PROCEDURE FOR DIESEL VERSIONS

Proceed as follows:

- ensure that the handbrake is on;
- put the gear lever into neutral;
- turn the ignition key to MAR: the warning lights  and  on the instrument panel will turn on;
- wait for the warning lights  and m to turn off. The hotter the engine is, the quicker this will happen;
- fully depress the clutch pedal without touching the accelerator;
- turn the ignition key to AVV as soon as warning light m goes out. If you wait too long, you will lose the benefit of the heating work done by the glow plugs. Release the key as soon as the engine starts.


If the engine does not start at the first attempt, return the ignition key to STOP before repeating the procedure.

If, when the ignition key is at MAR, the instrument panel warning light  remains on together with warning light m, turn the key to STOP and then back to MAR; if the warning lights remain on, try with the other keys provided with the car.

**IMPORTANT** If the instrument panel warning light  stays on permanently, contact a Fiat Dealership immediately.

**IMPORTANT** Never leave the ignition key at MAR when the engine is off.



**Warning light  will blink for 60 seconds after starting or during prolonged cranking to indicate a fault with the glow plug system. Use the car as normal if the engine starts, but go to a Fiat Dealership as soon as possible.**

## WARMING UP THE ENGINE AFTER IT HAS JUST STARTED (petrol and diesel versions)

Proceed as follows:

- drive off slowly at medium revs, and accelerate smoothly;
- do not demand maximum performance for the first few kilometres. Wait until the engine coolant gauge starts moving.



**Remember that the brake booster and power steering are not operational until the engine has been started, so you need to apply much more force than usual to the brake pedal and steering wheel.**



**Never jump start the engine by pushing, towing or driving downhill. This could cause fuel to flow into the catalytic converter and damage it beyond repair.**

## STOPPING THE ENGINE

Turn the ignition key to STOP while the engine is idling.

**IMPORTANT** After a long drive, you should allow the engine to “catch its breath” before turning it off by letting it idle to allow the temperature in the engine compartment to fall.



**A quick burst on the accelerator before turning off the engine serves absolutely no practical purpose; it wastes fuel and is especially damaging to turbocharged engines.**

KNOWING  
YOUR  
VEHICLE

SAFETY

STARTING  
AND DRIVING

WARNING LIGHTS  
AND MESSAGES

IN AN  
EMERGENCY

SERVICING  
AND CARE

TECHNICAL  
SPECIFICATIONS

CONTENTS



## PARKING THE VEHICLE

Proceed as follows:

- stop the engine and engage the handbrake;
- engage a gear (first gear if the vehicle is parked uphill or reverse if it is facing downhill) and leave the wheels turned.

If the car is parked on a steep slope, it is further advisable to block the wheels with a wedge or stone. Do not leave the key in the ignition as this drains the battery. Always remove the key when you leave the car.



### WARNING

**Never leave children unattended in the car. Always remove the ignition key when leaving the car and take it with you.**

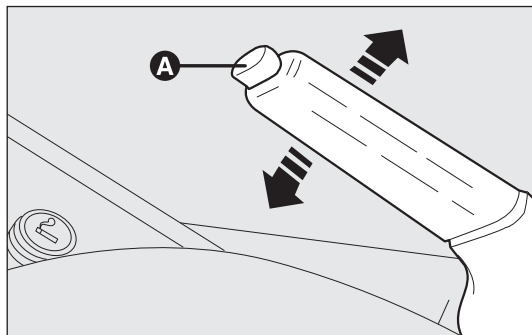


fig. 147

FOU0129m

## HANDBRAKE fig. 147

The handbrake lever is located to the left side of the driver's seat. Pull the lever upwards to operate the handbrake. Four or five notches are normally sufficient to secure the car on flat terrain, while nine or ten may be necessary on a steep slope with the car loaded.

**IMPORTANT** If this is not the case, contact a Fiat Dealership to have the handbrake adjusted.

When the handbrake is on and the ignition key is at MAR, the instrument panel warning light (ⓘ) will come on.

To release the handbrake, proceed as follows:

- pull up slightly on the lever and press release button A;
- hold button A down and lower the lever. The ⓘ warning light on the instrument panel will go out.

Press the brake pedal when carrying out this operation to prevent the car from moving accidentally.

## USING THE MANUAL GEARBOX

To engage the gears, depress the clutch pedal fully and shift the gear lever into the required positions (the diagram is shown on the gear knob fig. 148).

To engage 6<sup>th</sup> gear (for versions/markets where provided), push firmly to the right when operating the lever in order to avoid selecting 4<sup>th</sup> gear by mistake. The same applies to the shift from 6<sup>th</sup> to 5<sup>th</sup> gear.

**IMPORTANT** Reverse may be engaged only when the car is at a standstill. With the engine running, wait for at least 2 seconds with the clutch pedal fully depressed before engaging reverse to prevent damage to the gears and grating.

To engage reverse R from neutral with a six-speed gearbox, proceed as follows: lift ring A under the knob and at the same time move the gear lever to the left and then forwards fig. 148

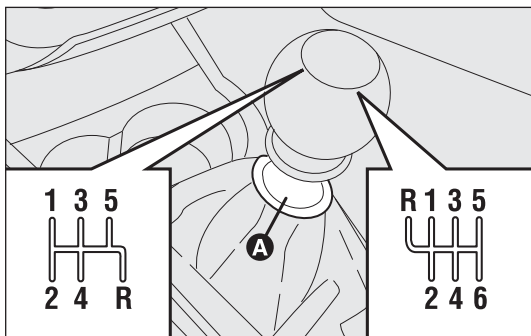


fig. 148

FOU0130m

**IMPORTANT** The clutch pedal should be used only for changing gear. Do not drive with your foot resting on the clutch pedal, however slightly. For versions/markets where provided, the electronic clutch control can intervene if it interprets the incorrect driving style as a fault.



### WARNING

***Depress the clutch pedal fully to change gear correctly. Therefore, the floor area under the pedals should be clear: ensure that any rubber mats are flat and do not interfere with the pedals.***



***Do not drive with your hand resting on the gear lever, because this pressure, even if light, can wear out the inner components of the gearbox over time.***

KNOWING  
YOUR  
VEHICLE

SAFETY

STARTING  
AND DRIVING

WARNING LIGHTS  
AND MESSAGES

IN AN  
EMERGENCY

SERVICING  
AND CARE

TECHNICAL  
SPECIFICATIONS

CONTENTS

## SAVING FUEL

Here are some suggestions which may help you to save fuel and reduce the amount of toxic emissions released into the atmosphere.

### GENERAL CONSIDERATIONS

#### Car maintenance

Have checks and adjustments carried out in accordance with the “Scheduled Servicing Plan”.

#### Tyres

Check the tyre pressures at least once every 4 weeks: if the pressure is too low, consumption levels increase as resistance to rolling is higher.

#### Unnecessary loads

Do not travel with an overloaded boot. The weight of the car (especially when driving in town) and its arrangement greatly affect fuel consumption and stability.

#### Roof rack/ski rack

Remove the roof rack or ski rack from the roof after use. These accessories decrease aerodynamic penetration and have a negative effect on fuel consumption. It is better to use a trailer to transport particularly bulky objects.

### Electrical devices

Use electrical devices only for the amount of time needed. The heated rear window, auxiliary headlights, windscreen wipers and fan heater use up a considerable amount of current, causing increased fuel consumption (up to +25% in the urban cycle).

### Air conditioning

Air conditioning leads to higher fuel consumption (on average up to +20%). If the temperature outside is not too extreme, try and use the air vents.

### Spoilers

The use of non-certified spoilers may adversely affect aerodynamics and fuel consumption.

## DRIVING STYLE

### Starting

Do not warm up the engine at low or high revs when the vehicle is stationary; this causes the engine to warm up more slowly, thereby increasing fuel consumption and emissions. It is advisable to set off immediately and slowly, avoiding high revs: this allows the engine to warm up more quickly.

### Unnecessary actions

Avoid revving up when stationary at traffic lights or before stopping the engine. The latter action, like double de-clutching, is entirely unnecessary and causes increased fuel consumption and pollution.

## **Gear selection**

Use a higher gear as soon as traffic and road conditions allow. Using a low gear for faster acceleration will increase fuel consumption. In the same way, improper use of a high gear increases consumption, emissions and engine wear.

## **Top speed**

Fuel consumption considerably increases as speed increases. Keep your speed as even as possible, avoiding unnecessary braking and acceleration, which cause excessive fuel consumption and increased emissions.

## **Acceleration**

Accelerating violently severely affects consumption and emissions: acceleration should be gradual and should not exceed the maximum torque.

## **CONDITIONS OF USE**

### **Cold starting**

Short distances and frequent cold start-ups will prevent the engine from reaching optimal running temperature. Consequently, both fuel consumption (from +15 to +30% on the urban cycle) and emissions will increase.

### **Traffic and road conditions**

Heavy traffic, for instance when travelling in a queue with frequent use of low gears or in cities with lots of traffic lights, causes fairly high fuel consumption. Mountain roads and uneven surfaces also have a negative effect on consumption.

### **Traffic hold-ups**

During prolonged hold-ups (e.g. at level crossings) the engine should be switched off.

KNOWING  
YOUR  
VEHICLE

SAFETY

**STARTING  
AND DRIVING**

WARNING LIGHTS  
AND MESSAGES

IN AN  
EMERGENCY

SERVICING  
AND CARE

TECHNICAL  
SPECIFICATIONS

CONTENTS

## TOWING TRAILERS

### IMPORTANT NOTES

The car must be equipped with an approved tow hook and adequate electrical system to tow caravans or trailers. Installation must be performed by specialised personnel who will issue the required papers for travelling on roads.

Install any specific and/or additional rear-view mirrors in accordance with the highway code of the country in which you are travelling.

Remember that, when towing a trailer, steep hills are harder to climb, braking distances increase and overtaking takes longer relative to the overall weight of the trailer.

Engage a low gear when driving downhill, rather than constantly using the brake.

The weight of the trailer on the car's tow hook will reduce the load capacity of the car by the same amount. Consider the weight of the trailer fully laden, including accessories and luggage, to make sure you do not exceed the maximum towable weight (shown on the vehicle registration document).

Respect each country's speed limits for vehicles towing trailers. The top speed must not exceed 100 km/h at any time.

You should fit a suitable stabiliser to the trailer.



#### WARNING

*The ABS with which the car may be equipped will not control the braking system of the trailer. Particular caution is therefore required on slippery roads.*



#### WARNING

*Never modify the braking system of the car to control the trailer brake. The trailer braking system must be fully independent from the hydraulic system of the car.*

## INSTALLING THE TOW HOOK

The towing device should be fastened to the body by specialised personnel in accordance with any additional information supplied by the manufacturer of the device.

The towing device must meet current regulations with reference to Directive 94/20/EC and subsequent amendments.

For any version, the towing device used must be right for the towable weight of the car on which it is to be installed.

For the electric connection a unified connector should be used, which is generally placed on a special bracket fastened to the towing device, and a special ECU should be installed on the car to control the trailer's exterior lights. 7 or 13-pin 12VDC connections should be used (CUNA/UNI and ISO/DIN Standards). Follow any instructions provided by the car manufacturer and/or the towing device manufacturer.

An electric brake or winch should be powered directly by the battery through a cable with a cross-section of no less than 2.5 mm<sup>2</sup>.

**IMPORTANT** The engine must be running to use the electric brake or winch.

In addition to the electrical branches, the vehicle's electrical system can be connected only to the supply cable for an electric brake and to the cable for an internal trailer light, though not above 15W.

For connections, use the preset control unit with a battery cable no less than 2.5 mm<sup>2</sup>.

KNOWING  
YOUR  
VEHICLE

SAFETY

**STARTING  
AND DRIVING**

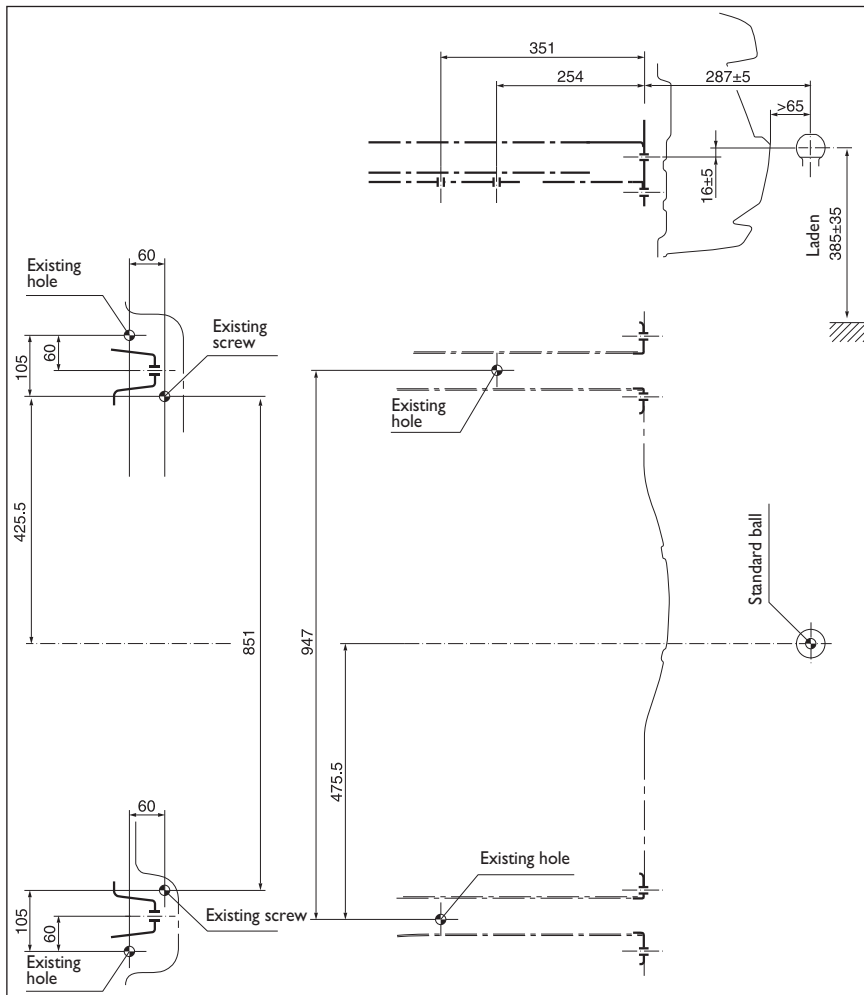
WARNING LIGHTS  
AND MESSAGES

IN AN  
EMERGENCY

SERVICING  
AND CARE

TECHNICAL  
SPECIFICATIONS

CONTENTS



### Assembly diagram fig. 149

The tow hook structure must be fastened at the points marked by ● using a total of 6 M10 screws.

The internal back plates should be at least 6 mm thick.

The hook should be fastened to the body avoiding any type of drilling of the rear bumper that remains visible when the hook is removed.

**IMPORTANT** It is compulsory to attach a label (plainly visible) of suitable size and material at the same level as the hitch ball, with the following wording:

**MAX LOAD ON BALL 60 kg**



### WARNING

**After assembly, the screw holes should be sealed to prevent exhaust gases getting in.**

## SNOW TYRES

Use snow tyres of the same size as the normal tyres provided with the car.

A Fiat Dealership will be happy to provide advice concerning the most suitable type of tyre for the customer's requirements.

For the type, pressures and specifications of the snow tyre to be used, follow carefully the instructions given in the "Wheels" paragraph of the "Technical specifications" section.

The performance of these tyres is considerably reduced when the tread depth is less than 4 mm. If this is the case, replace them.

Due to their specific features, the performance of snow tyres is much lower than that of standard tyres in normal conditions or on long motorway stretches. You should therefore use them only in the conditions for which they were designed.

**IMPORTANT** When using snow tyres with a maximum speed index below the one that can be reached by the car (increased by 5%), place a notice in the passenger compartment, plainly in view, which states the maximum speed allowed by the snow tyres (as per EC Directive).

All four tyres should be the same (brand and profile) to ensure greater safety when driving and braking as well as making the car more responsive.

Remember that you should not change the rotation direction of the tyres.



### WARNING

*The maximum speed for snow tyres marked "Q" is 160 km/h, while it is 190 km/h for "T" tyres and 210 km/h for "H" tyres. You should, however, always stick to the speed limits of the highway code.*

## SNOW CHAINS

The use of snow chains should be in compliance with local regulations. Snow chains may be fitted only to the front wheel tyres (drive wheels). Use of Lineaccessori Fiat snow chains is recommended. Check the tension of the chains after the first few metres have been driven.

**IMPORTANT** When the snow chains are on, use the accelerator with extreme care to prevent, or to limit as much as possible, the driving wheels from skidding. This could cause the chains to break, resulting in damage to the vehicle body or mechanical components.

**IMPORTANT** Snow chains can only be fitted on 15" tyres. Use compact 9-mm snow chains.

KNOWING  
YOUR  
VEHICLE

SAFETY

STARTING  
AND DRIVING

WARNING LIGHTS  
AND MESSAGES

IN AN  
EMERGENCY

SERVICING  
AND CARE

TECHNICAL  
SPECIFICATIONS

CONTENTS



**WARNING**

**16" and 17" tyres cannot be fitted with chains.**

**WARNING**

**Keep your speed down when snow chains are fitted: do not exceed 50 km/h. Avoid potholes, steps and pavements, and do not drive for long distances on roads not covered with snow to prevent damaging the car and the road surface.**



## CAR INACTIVITY

If the car is to be left inactive for longer than a month, the following precautions should be observed:

- park the car in covered, dry and, if possible, well-ventilated premises;
- engage a gear;
- check that the handbrake is engaged;
- disconnect the clip for the negative battery terminal and check battery charge. Repeat this check once every three months during storage. Recharge the battery if the indicator is dark and the middle area is not green;

- clean and protect the painted parts using protective wax;
- clean and protect the shiny metal parts using special compounds readily available;
- sprinkle talcum powder on the rubber windscreen and rear window wiper blades and lift them off the glass;
- open the windows slightly;
- cover the car with a fabric or perforated plastic sheet. Do not use compact plastic sheets which do not allow humidity to evaporate from the surface of the car;
- inflate tyres to a pressure of +0.5 bar above the normal specified pressure and check regularly;
- if you don't disconnect the battery from the electrical system, check its charge every month and recharge it if the indicator shows a dark colour without the central green area;
- do not drain the engine cooling system.

**IMPORTANT** Where relevant, switch off the car alarm with the remote control.

# WARNING LIGHTS AND MESSAGES

## WARNING LIGHTS AND MESSAGES

### GENERAL WARNINGS

Warning lights are accompanied by a specific message and/or sound when applicable. These indications are brief and precautionary and as such must not be considered as exhaustive and/or alternative to the information contained in the Owner's Handbook, which you are recommended to read carefully in all cases. Always refer to the information in this chapter in the event of a failure indication.

**IMPORTANT** The fault indicators appearing on the display are divided into two categories: very serious and less serious failures.

Serious failures prompt a prolonged cycle of signals.

Less serious failures prompt a shorter cycle of signals.

Press MENU ESC to stop the warning cycle in both cases. Warning lights on the instrument panel will stay on until the cause of the failure is eliminated.

For messages relevant to the versions equipped with a Dualogic gearbox, see the attached Supplement.



### **BRAKE FLUID LOW (red)** **HANDBRAKE ENGAGED (red)**

When the ignition key is moved to MAR position, the warning light turns on but should go off after a few seconds.

#### **Brake fluid low**

The warning light turns on when the level of the brake fluid in the reservoir falls below the minimum level, possibly due to a leak in the circuit.

On some versions the display shows the associated message.



#### **WARNING**

*If the warning light (ⓘ) turns on when travelling (on certain versions together with the message on the display) stop the car immediately and contact a Fiat Dealership.*

#### **Handbrake engaged**

The warning light turns on when the handbrake is on.

If the car is moving, an audible warning will also sound on certain versions.

**IMPORTANT** If the warning light turns on when travelling, check that the handbrake is not engaged.

KNOWING  
YOUR  
VEHICLE

SAFETY

STARTING  
AND DRIVING

**WARNING LIGHTS  
AND MESSAGES**

IN AN  
EMERGENCY

SERVICING  
AND CARE

TECHNICAL  
SPECIFICATIONS


CONTENTS

**AIRBAG FAILURE (red)**



When the ignition key is moved to MAR position, the warning light turns on but should go off after a few seconds.

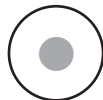
The warning light stays on constantly if there is a failure in the airbag system. A specific message is displayed on certain versions.

**WARNING**

*If the warning light  does not come on when turning the key to MAR or stays on during car travel, a failure may be present in the restraint systems. If this is the case, the airbags or pretensioners may not be deployed after an impact or, in a minor number of cases, they may be deployed accidentally. Contact a Fiat Dealership immediately to have the system checked before driving off.*

**WARNING**

*A problem with the warning light  (light off) is indicated by the warning light , which indicates the front passenger airbag is deactivated, flashing for more than the usual four seconds.*

**OVERHEATED ENGINE COOLANT (red)**

When the ignition key is moved to MAR position, the warning light turns on but should go off after a few seconds. The warning light turns on when the engine is overheated. If the warning light comes on, proceed as follows:

- when driving normally: stop the car, switch off the engine and check that the water level in the reservoir is not below the MIN mark. If it is not, wait for a few minutes for the engine to cool down then slowly and carefully open the cap, top-up with coolant and check that the level is between the MIN and MAX marks. Also visually check for leaks. Go to a Fiat Dealership if the warning light comes on again when the engine is next started.
- if the vehicle is used under demanding conditions (e.g. towing trailers uphill or fully loaded): slow down and, if the light stays on, stop the car. Stop for 2 or 3 minutes with the engine running and slightly accelerated to assist better coolant circulation. Then switch the engine off. Check correct fluid level as described above.


**IMPORTANT** On particularly demanding journeys, it is advisable to keep the engine on and slightly accelerated for a few minutes before switching it off.

A specific message is displayed on certain versions.



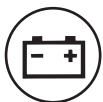
### **PARKING SENSOR FAILURE (amber)** (for versions/markets where provided)

The warning light turns on when a fault is detected in the parking sensors.

On certain versions warning light  turns on as an alternative.

In this case, contact a Fiat Dealership.

A specific message is displayed on certain versions.



### **LOW BATTERY CHARGE (red)** (for versions/markets where provided)

The warning light comes on when the ignition key is turned to MAR, but it should go out as soon as the engine has started (with the engine running at idle speed a brief delay before going out is acceptable). Contact a Fiat Dealership immediately if the warning light stays on, either permanently or flashing.

A specific message is displayed on certain versions.



### **LOW ENGINE OIL PRESSURE (red)** **DEGRADED OIL (red)** (for versions/markets where provided)


When the ignition key is turned to MAR, the warning light switches on, but it should go out as soon as the engine is started.

### **Low engine oil pressure**

The warning light turns on and stays on constantly along with a message on the display (for versions/markets where provided) when the system detects that engine oil pressure is low.



#### **WARNING**

*If the warning light  turns on when the car is travelling (on certain versions together with the message on the display), stop the car immediately and contact a Fiat Dealership.*

### **Degraded engine oil** (only Multijet versions with DPF)

The warning light will flash and a specific message will appear on the display (for versions/markets where provided). The warning light may flash in the following ways, depending on the version:

- for 1 minute every two hours;
- for 3 minute cycles with the warning light off for intervals of 5 seconds until oil is changed.

After the initial warning, each time the engine is started up, the warning light will continue to flash in the same ways as described above, until the oil is changed. A specific message will appear on the display (for versions/markets where provided) in addition to the warning light.

If the warning light flashes, this does not mean that the car is defective, but simply informs the driver that it is now necessary to change the oil as a result of regular vehicle use.

KNOWING  
YOUR  
VEHICLE

SAFETY

STARTING  
AND DRIVING

**WARNING LIGHTS  
AND MESSAGES**

IN AN  
EMERGENCY

SERVICING  
AND CARE

TECHNICAL  
SPECIFICATIONS

CONTENTS

Note that engine oil degrades faster under the following circumstances:

- use of the vehicle mainly for city driving, requiring more frequent regeneration of the DPF
- use of the vehicle for short drives, in which the engine does not have time to reach its regular operating temperature
- repeated interruption of the regeneration process, signalled by the DPF warning light coming on.





### WARNING

**Degraded engine oil should be replaced as soon as possible after the warning light comes on, and never more than 500 km after it first comes on.**


**Failure to change the oil within the first 1000 km may result in severe damage to the engine and invalidate the warranty. Remember that when the warning light comes on, it does not mean that the level of engine oil is low, so if the light flashes you do not need to top up the engine oil.**

**For versions/markets, where provided:**

the  warning light turns on and flashes along with the message on the display (if applied) when the system detects that the engine oil is exhausted. The flashing of the warning light should not be considered as a fault, rather simply informs the driver that oil needs to be changed after a standard period of car utilisation. If the oil is not changed, when reaching a second deterioration threshold, also the warning light  switches on in the instrument panel and the engine operation is limited at 3000 rpm.

If the oil is still not changed, when reaching a third deterioration threshold, the engine is limited at 1500 rpm to avoid damage.



**WARNING! To avoid damaging the engine it is recommended to change the engine oil when the warning light  flashes. Contact a Fiat Dealership.**



### DUALDRIVE ELECTRIC POWER STEERING FAILURE (red)

(for versions/markets where provided)

This warning light comes on when the ignition key is turned to MAR, but it should go off after a few seconds.

If the warning light stays on, you will not get the benefit from the electric power steering and the effort needed to turn the wheel will be greatly increased, although it will still be possible to steer the car. Contact a Fiat Dealership. On some versions the display shows the associated message.



### DOOR/BOOT/BONNET OPEN (red)

On certain versions, the warning light turns on when one or more doors or the boot are not properly closed.

A specific message is displayed on certain versions. You will hear a warning sound if a door is open and the car is moving.



### **LOW ENGINE OIL LEVEL (red)** (for versions/markets where provided)

When turning the ignition key to MAR, the warning light turns on but it should go off after a few seconds. This warning light where provided comes on when the engine oil level falls below the minimum recommended value. Restore the correct engine oil level (see “Checking fluid levels” in the “Servicing and care” section).

A specific message is displayed on certain versions.



### **SEAT BELT NOT FASTENED (red)**

The warning light on the display lights up permanently when the car is not moving and the driver’s seat belt is not correctly fastened. It will flash, and be accompanied by an audible warning, if the front seat belts are not correctly fastened when the vehicle is moving. The SBR (Seat Belt Reminder) system’s audible warning can be disabled only by a Fiat Dealership. On some versions the system can be reactivated from the setup menu.



### **EBD FAULT (red)** **(amber)**

Warning lights (ⓘ) and (ABS) lit at the same time with the engine running indicates an EBD system failure or that the system is not available. This may cause premature locking of the rear wheels in the event of violent braking, causing the car to swerve. Drive very carefully to a Fiat Dealership to have the system inspected immediately.

On some versions the display shows the associated message.



### **INJECTION SYSTEM FAULT** **(Multijet versions – amber)**

### **EOBD SYSTEM FAULT** **(petrol versions – amber)**

#### **Injection system failure**

Under normal conditions, turning the ignition key to MAR, the warning light turns on but it should go off after the engine starts.

If the warning light stays on or comes on when travelling, it means there is a fault in the injection system which could cause loss of performance, poor handling and high fuel consumption levels.

A specific message is displayed on certain versions. Under these conditions, the vehicle can continue travelling at moderate speed without demanding excessive effort from the engine. In any case, you should go to a Fiat Dealership as soon as possible.

KNOWING  
YOUR  
VEHICLE

SAFETY

STARTING  
AND DRIVING

**WARNING LIGHTS  
AND MESSAGES**

IN AN  
EMERGENCY

SERVICING  
AND CARE

TECHNICAL  
SPECIFICATIONS

CONTENTS

## Engine management system failure – EOBD

Under normal conditions, turning the ignition key to MAR, the warning light turns on but it should go off after the engine starts. This indicates that the warning light is working correctly. If the warning light either stays on or comes on during car travel:

- on permanently: this means there is a fault in the supply/ignition system which could cause high exhaust emissions, loss of performance, poor handling and high fuel consumption levels.

A specific message is displayed on certain versions.



Under these conditions, the vehicle can continue travelling at moderate speed without demanding excessive effort from the engine. Prolonged use of the car with the warning light on may cause damage. Go to a Fiat Dealership as soon as possible. The warning light goes out after the fault disappears, but the indication is stored in the system.


- flashing: this indicates possible damage to the catalytic converter (see “EOBD system” in the “Dashboard and controls” section).

If the light flashes, come off the accelerator pedal to reduce engine revs until the warning light stops flashing; continue the journey at moderate speed, trying to avoid driving conditions that may cause further flashing, and get to a Fiat Dealership as soon as possible.



### WARNING


**Go to a Fiat Dealership as soon as possible if warning light  does not light up when the key is turned to MAR or if, while travelling, the warning light comes on either permanently or flashing (along with a message on the display on certain versions). The operation of the  warning light may be checked by traffic police using appropriate equipment. Follow the laws in force in the country where you are driving.**

For versions/markets, where provided, the  warning light in the instrument panel does not have the EOBD function (European On Board Diagnosis) but only that of signalling that the injection system is not working perfectly.







### FRONT PASSENGER AIRBAG DEACTIVATED (amber)

The warning light  comes on when the front passenger airbag is disabled.

With the front passenger air bag enabled, when the ignition key is turned to MAR the  warning light comes on constantly for about 4 seconds, flashes for another 4 seconds and then should go out.



## WARNING

**Warning light**  indicates a failure of warning light . This condition is indicated by intermittent blinking of warning light  for longer than 4 seconds. In this case, warning light  may not be indicating that there is a fault in the restraint systems. Before driving off, contact a Fiat Dealership to have the system checked immediately.

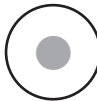


### ABS SYSTEM FAULT (amber)

Turning the key to the MAR position illuminates the warning light, but it will switch off after a few seconds.

The warning light comes on when the system is either not working properly or not available. Under these circumstances, the braking system will work as normal but without the extra performance offered by the ABS system. Drive carefully and go to a Fiat Dealership as soon as possible.

On some versions the display shows the associated message.



### FUEL RESERVE (amber)

Turning the key to the MAR position illuminates the warning light, but it will switch off after a few seconds.

The warning light turns on when about 7 litres of fuel are left in the tank.

**IMPORTANT** The warning light will blink to indicate a system failure. If this happens, go to a Fiat Dealership to have the system checked.



### GLOW PLUG PREHEATING (Multijet versions – amber)

### GLOW PLUG PREHEATING FAULT (Multijet versions – amber)

#### Glow plugs

This warning light comes on when the key is turned to MAR. It will go out as soon as the glow plugs have reached a preset temperature. Start the engine as soon as the warning light goes out.

**IMPORTANT** When it is particularly warm outside, the warning light stays on for an extremely short time.

#### Glow plug preheating fault

The warning light flashes if there is a fault in the preheating system. Go to a Fiat Dealership as soon as possible. A specific message is displayed on certain versions.

KNOWING  
YOUR  
VEHICLE

SAFETY

STARTING  
AND DRIVING

**WARNING LIGHTS  
AND MESSAGES**

IN AN  
EMERGENCY

SERVICING  
AND CARE

TECHNICAL  
SPECIFICATIONS

CONTENTS






## WATER IN DIESEL FILTER (Multijet versions – amber)

When the ignition key is moved to MAR position, the warning light turns on but should go off after a few seconds.

The warning light turns on when there is water in the diesel filter.

A specific message is displayed on certain versions.



***The presence of water in the fuel supply circuit may cause severe damage to the injection system and irregular engine operation. If warning light  comes on (with a message on the display on some versions), go to a Fiat Dealership as soon as possible to have the system bled. Water may have entered the tank if this appears immediately after refuelling: if this happens, switch the engine off immediately and contact a Fiat Dealership.***



## FIAT CODE VEHICLE PROTECTION SYSTEM FAULT (amber) (for versions/markets where provided)

The warning light may come on (and a message on the multifunction display may appear on certain versions) to indicate that there is a fault in the Fiat Code system or, if applicable, the alarm system; in this case, contact a Fiat Dealership as soon as possible.




## EXTERIOR LIGHTS FAILURE (amber)

(for versions/markets where provided)

The warning light comes on (on some versions) when a failure is detected in one of the following lights:

- sidelights/taillights
- brake lights
- rear fog lights
- direction indicators
- number plate lights
- daytime running lights.

A specific message is displayed on some versions.

The failure relating to these lights could be: one or more blown bulbs, a blown protection fuse or a break in the electrical connection. On certain versions warning light  turns on as an alternative. On some versions the display shows the associated message.



### **REAR FOG LIGHTS (amber)**

The light comes on when the rear fog lights are turned on.



### **GENERIC INDICATOR (amber)**

(for versions/markets where provided)

The warning light turns on in the following circumstances:

#### **Engine oil pressure sensor failure**

The warning light turns on when a failure is detected in the engine oil pressure sensor. Go to a Fiat Dealership to have the fault fixed as soon as possible. The associated message is displayed on some versions.

#### **Start&Stop fault**

(for versions/markets where provided)

The warning light comes on when a Start&Stop failure is detected.

A specific message is displayed on certain versions.

#### **Fuel cut-off intervention**

(for versions/markets, where provided)

The warning light comes on when the fuel cut-off system intervenes (see “Multifunction display” in the “Controls” section).

A specific message is displayed on certain versions.

#### **Rain sensor fault**

(for versions/markets where provided)

The warning light comes on when a rain sensor failure is detected (see “Multifunction display” in the “Controls” section). Contact a Fiat Dealership.

A specific message is displayed on certain versions.

#### **Parking sensor fault**

(for versions/markets where provided)

The warning light turns on when a failure is detected in the parking sensors. In this case, contact a Fiat Dealership. A specific message is displayed on certain versions.

#### **Tyre pressure monitoring system (TPMS) failure**

(for versions/markets where provided)

The warning light turns on when a failure is detected in the TPMS system (for versions/markets where provided). Contact a Fiat Dealership as soon as possible. Should one or more wheels without a sensor be fitted, the instrument panel warning light will come on and stay on until the initial conditions are restored.

A specific message is displayed on certain versions.

KNOWING  
YOUR  
VEHICLE

SAFETY

STARTING  
AND DRIVING

**WARNING LIGHTS  
AND MESSAGES**

IN AN  
EMERGENCY

SERVICING  
AND CARE

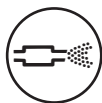
TECHNICAL  
SPECIFICATIONS

CONTENTS

## Speed limit exceeded

(for versions/markets where provided)

The display shows the associated message when the car exceeds the set speed limit (see “Multifunction display” in the “Dashboard and controls” section).



## DPF (PARTICULATE FILTER) CLEANING IN PROGRESS

(only Multijet with DPF – amber)

When the ignition key is moved to MAR position, the warning light turns on but should go off after a few seconds. The warning light stays on constantly to notify the driver that the DPF system needs to eliminate captured pollutants (particulate) by the regeneration process.

The warning light does not come on during every DPF regeneration, but only when driving conditions require notification to the driver. The warning light will go off if the vehicle stays in motion until regeneration has been completed. The process normally takes about 15 minutes. Optimal conditions for completing the process are achieved by travelling at 60 km/h with engine revs above 2000 rpm.

If this light comes on, it does not mean the car is defective, so there is no need to take it to a garage. A specific message will appear on the display when the warning light comes on (for versions/markets, where provided).



## WARNING

**Always drive at a speed appropriate to the traffic conditions, the weather and speed limits. The engine may be turned off while the DPF light is on; however, repeated interruption of the regeneration process may result in premature degradation of engine oil. For this reason it is always advisable to wait for the light to go off before turning off the engine, following the instructions appearing above. It is not a good idea to complete DPF regeneration with the vehicle stationary.**



### **ESP SYSTEM FAULT (amber)**

When the ignition key is moved to MAR position, the warning light turns on but should go off after a few seconds.

#### **ESP-ASR system failure**

If the warning light does not go off or stays on together with the LED on the ASR button when travelling, contact a Fiat Dealership. A specific message is displayed on certain versions.

**NB** The warning light flashing while driving indicates that the ESP system is active.




### **BRAKE PADS WORN (amber)** (for versions/markets where provided)

The warning light comes on if the front brake pads are worn; in this case, have them changed as soon as possible. A specific message is displayed on certain versions.



### **HILL HOLDER FAULT (amber)** (for versions/markets where provided)

When the ignition key is moved to MAR position, the warning light turns on but should go off after a few seconds.

The warning light turns on to indicate a Hill Holder system fault. In this case, contact a Fiat Dealership as soon as possible. On certain versions, warning light  turns on as an alternative. A specific message is displayed on certain versions.



### **SIDELIGHTS/TAILLIGHTS AND DIPPED BEAM HEADLIGHTS (green)** **FOLLOW ME HOME (green)**

#### **Sidelights/taillights and dipped beam headlights**

The light comes on when the sidelights/taillights or dipped beams are turned on.

#### **Follow Me Home**

The light will turn when this device is active (see “Follow Me Home” in the “Dashboard and controls” section). The display will show the associated message.

KNOWING  
YOUR  
VEHICLE

SAFETY

STARTING  
AND DRIVING

**WARNING LIGHTS  
AND MESSAGES**

IN AN  
EMERGENCY

SERVICING  
AND CARE

TECHNICAL  
SPECIFICATIONS

CONTENTS



## CHECK TYRE PRESSURE (amber)

### TYRE PRESSURE LOW (amber)

### TYRE PRESSURE UNSUITABLE FOR SPEED (amber) (for versions/markets where provided)

When the ignition key is moved to MAR position, the warning light turns on but should go off after a few seconds.

#### Check tyre pressures

The warning light turns on to indicate the flat tyre. Should two or more tyres be flat, the display will show the indications corresponding to each tyre in sequence.

Restore correct tyre pressures as soon as possible (see “Cold tyre pressures” in the “Technical specifications” section).

#### Tyre pressure low

The warning light on the panel comes on when the pressure of one or more tyres falls below a preset level. In this way, the TPMS system warns the driver that one or more tyres may be dangerously flat and probably punctured.

**IMPORTANT** Do not continue driving with one or more flat tyres as handling may be compromised. Stop the car, avoiding harsh braking or steering manoeuvres. Replace the wheel immediately with the small spare wheel (for versions/markets where provided) or carry out a repair using the dedicated kit (see “Changing a wheel” in the “In an emergency” section) and contact a Fiat Dealership as soon as possible.

#### Tyre pressure unsuitable for speed

Should you need to travel at a speed higher than 160 km/h, inflate the tyres to the pressures specified in “Tyre pressures”.

If the TPMS system (for versions/markets where provided) detects that the pressure of one or more tyres is unsuitable for the current speed, the warning light will turn on (together with the message on the display) (see “Tyre pressure low” in this section) and it will stay on until the car slows down to a speed below the preset threshold.

**IMPORTANT** In this case, slow down immediately because tyre overheating could damage tyre performance and durability beyond repair, and may even make the tyre explode.



## WARNING

**Strong radio-frequency noises could hinder the regular operation of the TPMS system. This condition will be indicated by a message (where provided). The message will disappear automatically as soon as the interference ceases to disturb the system.**



### FOG LIGHTS (green)

The light comes on when the front fog lights are turned on.



### LEFT-HAND DIRECTION INDICATOR (green – intermittent)

The light (arrow) comes on when the direction indicator control lever is moved downwards or, together with the right-hand arrow, when the hazard warning light button is pressed.



### RIGHT-HAND DIRECTION INDICATOR (green – intermittent)

The light (arrow) comes on when the direction indicator control lever is moved upwards or, together with the left-hand arrow, when the hazard warning light button is pressed.



### DUALDRIVE ELECTRIC POWER STEERING ON (green) (for versions/markets where provided)

The word “CITY” appears on the display when the Dualdrive electric power steering system is activated by pressing the relevant control button. If the button is pressed again the word CITY goes out. A specific message is displayed on certain versions.



### CRUISE CONTROL (green) (for versions/markets where provided)

When the ignition key is moved to MAR position, the warning light turns on but should go off after a few seconds. The warning light is lit up on the display by rotating the Cruise Control twist switch to ON. A specific message is displayed on certain versions.

KNOWING  
YOUR  
VEHICLE

SAFETY

STARTING  
AND DRIVING

**WARNING LIGHTS  
AND MESSAGES**

IN AN  
EMERGENCY

SERVICING  
AND CARE

TECHNICAL  
SPECIFICATIONS

CONTENTS

**MAIN BEAM HEADLIGHTS (blue)**

The light comes on when the main beams are turned on.

**Possible presence of ice on the road**

The outside temperature indicator starts flashing when the outside temperature reaches or falls below 3°C and the ❄ symbol lights up on the display to warn the driver of the possible presence of ice on the road. The display will show the associated message.

**Service due**

(for versions/markets, where provided)


The display shows a specific message to indicate the scheduled servicing deadline.

# IN AN EMERGENCY

In an emergency we recommend that you call the freephone number found in the **Warranty Booklet**. You can also go to the [www.fiat.com](http://www.fiat.com) website to find your nearest Fiat Dealership.

## STARTING THE ENGINE

### EMERGENCY STARTING

If the instrument panel warning light  stays on permanently, contact a Fiat Dealership immediately.

### JUMP STARTING fig. 150

If the battery is flat, the engine may be started using an auxiliary battery with an equal or slightly higher capacity than the flat one. It is advisable to contact a Fiat Dealership so the battery can be checked/replaced.

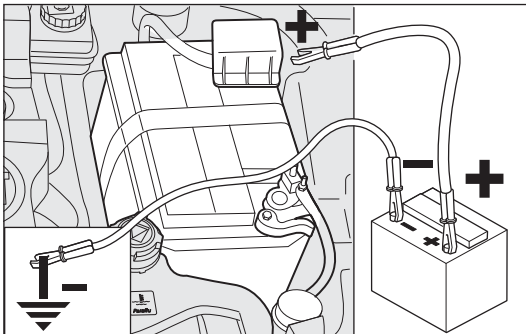


fig. 150


F0U00134m



### WARNING

*This procedure must be performed by experts because incorrect actions may cause considerable electrical discharge. Furthermore, battery fluid is poisonous and corrosive: avoid contact with skin and eyes. Keep naked flames and lit cigarettes away from the battery. Do not create sparks.*

Proceed as follows to start the car:

- connect the positive terminals (+ sign near the terminal) of the two batteries with a jump lead;
- with a second lead, connect the negative terminal (-) of the auxiliary battery to an earthing point  on the engine or the gearbox of the car to be started;
- start the engine;
- when the engine has been started, follow the sequence above in reverse order to remove the leads.

If after a few attempts the engine does not start, do not keep trying but contact a Fiat Dealership.

KNOWING  
YOUR  
VEHICLE

SAFETY

STARTING  
AND DRIVING

WARNING LIGHTS  
AND MESSAGES

**IN AN  
EMERGENCY**

SERVICING  
AND CARE

TECHNICAL  
SPECIFICATIONS

CONTENTS



**IMPORTANT** Do not directly connect the negative terminals of the two batteries: sparks could ignite explosive gas released from the battery. If the auxiliary battery is installed on another vehicle, prevent accidental contact between metallic parts of the two vehicles.

**IMPORTANT** For cars with Start&Stop system, in case of starting by booster battery, refer to "Knowing your car" chapter, paragraph "Start&Stop system".

## BUMP STARTING

Never bump start the engine by pushing, towing or driving downhill. This could cause fuel to flow into the catalytic converter and damage it beyond repair.

**IMPORTANT** Remember that the brake booster and the power steering system are not active until the engine is started, so you will need to apply much more force to the brake pedal or steering wheel.

## CHANGING A TYRE

### GENERAL INSTRUCTIONS

Wheel changing and correct use of the jack and spare wheel call for some precautions, as listed below.



#### WARNING

*Use your hazard lights, warning triangle, etc to show that your car is stationary. Passengers should get out of the car, particularly if it is heavily loaded, and wait for the wheel to be changed away from the traffic. Apply the hand-brake.*



#### WARNING

*The spare wheel provided is specifically for your vehicle. Therefore, it must not be used on different models and you should not use spare wheels from other models on your vehicle. The wheel bolts are specific for your vehicle: do not use them on different models and do not use bolts from other models on your car.*



### WARNING

**Repair and refit the standard wheel as soon as possible. Do not apply grease to the bolt threads before assembly: they might spontaneously unscrew.**



### WARNING

**The jack may be used to replace wheels only on the car which it equips or other cars of the same model. Never use the jack for other purposes, such as lifting other models. Never use the jack to carry out repairs under the car. Incorrect positioning of the jack may cause the car to fall. Do not use the jack for loads higher than the one shown on its label.**



### WARNING

**If the hub cap is not fitted correctly, it may come off when the car is travelling. Never tamper with the inflation valve. Never introduce tools of any kind between the rim and the tyre. Check tyre and spare wheel pressures regularly, referring to the values shown in the “Technical specifications” section.**

### Important notes:

- the jack weight is 1.76 kg;
- the jack requires no adjustment;
- the jack cannot be repaired. If it breaks, it must be replaced with the same type;
- no tool other than its cranking device may be fitted on the jack.

### To change a tyre, proceed as follows:

- stop the car where it is not a danger to other road users and you can replace the wheel safely. The ground should be flat and solid;
- turn the engine off and engage the handbrake;
- engage first gear or reverse;
- wear the reflective safety jacket (compulsory by law in certain countries) before getting out of the car;
- open the boot and lift the carpet or remove the cargo box (for versions/markets where provided);
- unscrew the locking device A-fig. 151;
- take out the tool container C-fig. 151 and put it alongside the wheel to be changed;
- take out the spare wheel B-fig. 151;
- loosen the bolts of the wheel to be replaced by about one turn with the wrench provided E-fig. 152; if you have alloy wheels, rock the car to make it easier to separate the rim from the wheel hub;

KNOWING  
YOUR  
VEHICLE

SAFETY

STARTING  
AND DRIVING

WARNING LIGHTS  
AND MESSAGES

IN AN  
EMERGENCY

SERVICING  
AND CARE

TECHNICAL  
SPECIFICATIONS

CONTENTS

- operate device F-fig. 153 to extend the jack until the top of the jack G-fig. 153 fits correctly into jacking point H-fig. 153;
- warn anybody nearby that the car is about to be lifted. They must stay clear and not touch the car until it is back on the ground;

- fit the handle L-fig. 153 to operate the jack and lift the car until the wheel is several centimetres off the ground;
- for versions with hub caps, remove the cap after unscrewing the 3 fastening bolts and then unscrew the fourth bolt L-fig. 154 and remove the wheel;

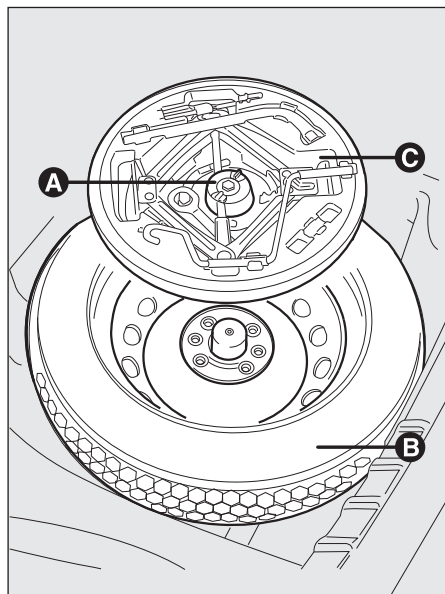


fig. 151

FOU0133m

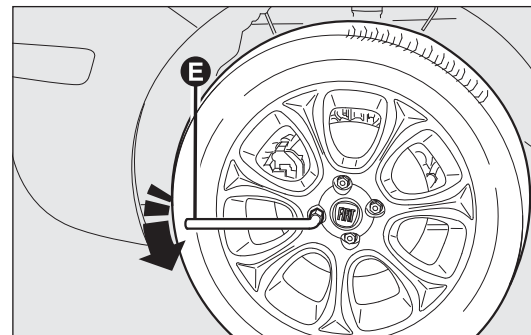


fig. 152

FOU0135m

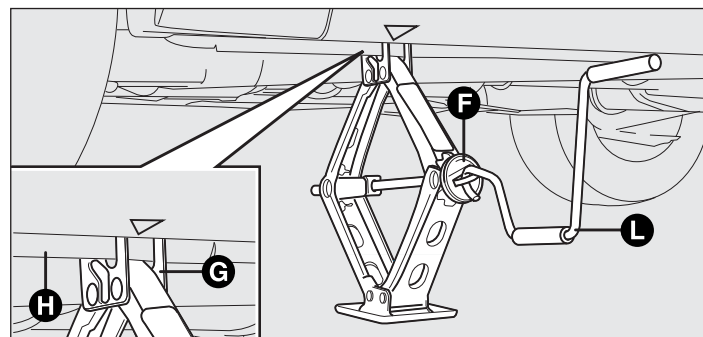


fig. 153

FOU0136m

- ❑ make sure the contact surfaces between spare wheel and hub are clean so that the fastening bolts will not come loose;
- ❑ fit the spare wheel by inserting the first bolt two threads into the hole closest to the inflation valve;
- ❑ fit the hub cap by aligning the crescent hole with the bolt you have fitted using the wrench;
- ❑ tighten the fastening bolts;
- ❑ turn the jack handle L-fig. 153 to lower the car, and remove the jack;

- ❑ use the wrench provided to fasten the bolts completely in a criss-cross fashion as per the order illustrated in fig. 155;
- ❑ if you are replacing an alloy wheel and wish to store it temporarily in the spare wheel compartment, you should position it upside down.

KNOWING  
YOUR  
VEHICLE

SAFETY

STARTING  
AND DRIVING

WARNING LIGHTS  
AND MESSAGES

**IN AN  
EMERGENCY**

SERVICING  
AND CARE

TECHNICAL  
SPECIFICATIONS

CONTENTS

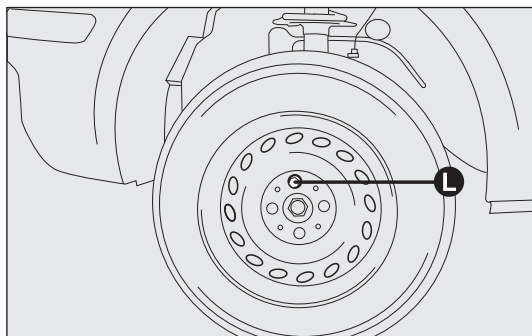


fig. 154

F0U0137m

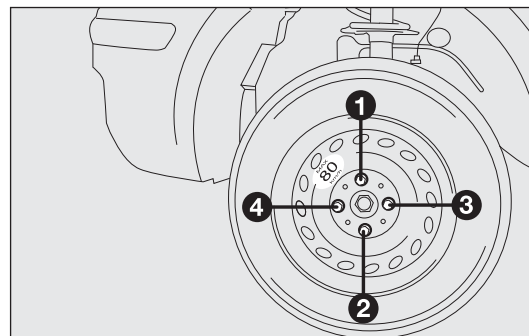


fig. 155

F0U0138m

## REFITTING THE STANDARD WHEEL

Following the procedure described previously, raise the car and remove the spare wheel.

### Versions with steel rims

Proceed as follows:

- make sure the contact surfaces between standard wheel and hub are clean so that the fastening bolts will not come loose;
- fit the standard wheel by inserting the first bolt two threads into the hole closest to the inflation valve;
- fit the hub cap by aligning the crescent hole with the bolt you have fitted, then insert the other 3 bolts;
- using the wrench provided, tighten the fastening bolts;
- lower the car and remove the jack;
- using the wrench provided, fully tighten the bolts in the sequence shown previously.

### Versions with alloy rims

Proceed as follows:

- place the wheel onto the hub and tighten the bolts using the wrench provided;
- lower the car and remove the jack;
- using the wrench provided, fully tighten the bolts in the sequence shown previously.

### After tyre replacement

- stow the spare wheel in the space provided in the boot;
- put the jack back in its container partially open by forcing it slightly against the container walls to prevent it from rattling around when travelling;
- put the tools back into their places in the container;
- stow the container, complete with tools, inside the spare wheel;
- tighten the tool container locking device;
- refit the boot carpet or the cargo box (for versions/markets where provided).

## QUICK TYRE REPAIR KIT - FIX&GO automatic

The Fix&Go automatic quick tyre repair kit is located in the boot.

The kit fig. 156 includes:

- a canister A, containing sealant, which is fitted with:
  - filler tube B;
  - an adhesive label C with the message “max. 80 km/h” to be placed where the driver can easily see it (on the dashboard) after repairing the tyre;
- instruction brochure (see fig. 157), to be used for prompt and proper use of the quick repair kit and then presented to the personnel charged with handling the treated tyre;

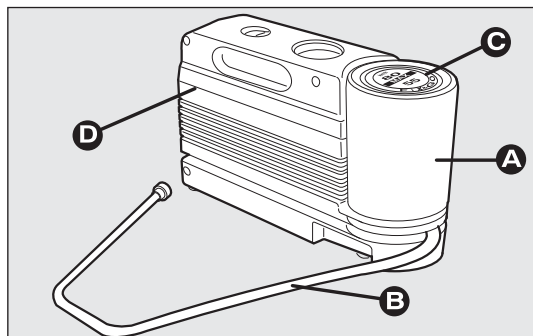


fig. 156

FOU0139m

- compressor D-fig. 156 including gauge and connections;
- a pair of protective gloves located in the side part of the compressor;
- adapters for inflating different elements.

You can also find the screwdriver and tow hitch in the quick repair kit container (stored in the boot under the carpet).



### WARNING

**Hand over the instruction booklet to the personnel charged with treating the tyre repaired with the kit.**

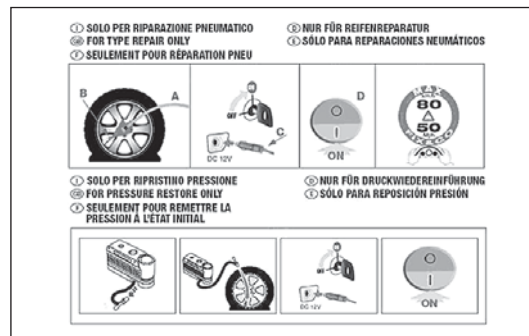


fig. 157

FOU0140m

KNOWING  
YOUR  
VEHICLE

SAFETY

STARTING  
AND DRIVING

WARNING LIGHTS  
AND MESSAGES

IN AN  
EMERGENCY

SERVICING  
AND CARE

TECHNICAL  
SPECIFICATIONS

CONTENTS



**In the event of a puncture caused by foreign bodies, it is possible to repair tyres showing holes on the track or shoulder of up to 4 mm in diameter.**

**WARNING**

**It is not possible to repair damage to the tyre sidewall. Do not use the quick repair kit if the tyre is damaged as a result of travelling on a flat tyre.**

**WARNING**

**If the wheel rim is damaged (the channel is so deformed as to cause an air leakage) it cannot be repaired. Do not remove foreign bodies (screws or nails) from the tyre.**

**WARNING**

**Do not operate the compressor for longer than 20 minutes at a time. Risk of overheating. The quick repair kit is not suitable for definitive repairs, so you can only temporarily repair the tyres.**

**WARNING**

**The canister contains ethylene glycol. It contains latex, which may cause an allergic reaction. Harmful if swallowed. Irritates the eyes. There could be a reaction in case of inhalation or contact. Avoid contact with your eyes, skin and clothes. In the event of contact, wash immediately with plenty of water. Do not induce vomiting if swallowed. Rinse your mouth out and drink plenty of water. Call a doctor immediately. Keep out of the reach of children. The product must not be used by asthmatics. Do not breathe in the vapours during insertion and suction. Call a doctor immediately if allergic reactions are noted. Store the canister in its proper compartment, away from sources of heat. The sealant fluid has an expiry date.**

**IMPORTANT INFORMATION:**

The sealing fluid of the quick tyre repair kit is effective at external temperatures of between  $-20\text{ }^{\circ}\text{C}$  and  $+50\text{ }^{\circ}\text{C}$ .

The sealant has an expiry date.



**Replace the cylinder containing out-of-date sealant fluid. Dispose of the cylinder and the sealant liquid properly. Dispose according to the national and local laws in force.**

## INFLATION PROCEDURE



### WARNING

**Put on the protective gloves provided with the quick tyre repair kit.**

- Make sure the handbrake is on. Unscrew the tyre valve cap, take out the flexible filler tube A-fig. 158 and tighten the ring nut B on the tyre valve;
- make sure that switch D-fig. 159 for the compressor is in position 0 (off), start the engine, insert pin E-fig. 160 into the nearest socket and switch on the compressor by moving switch D-fig. 159 to position I (on) Inflate the tyre to the pressure specified in the "Tyre pressure" paragraph in the "Technical specifications" section.

For a more accurate reading, check pressure gauge F-fig. 159 with the compressor off;

- if after 5 minutes you cannot reach at least 1.5 bar, unplug the compressor from the valve and the socket, then move the car forward about ten metres in order to distribute the sealant inside the tyre evenly, then repeat the inflation operation;

KNOWING  
YOUR  
VEHICLE

SAFETY

STARTING  
AND DRIVING

WARNING LIGHTS  
AND MESSAGES

IN AN  
EMERGENCY

SERVICING  
AND CARE

TECHNICAL  
SPECIFICATIONS

CONTENTS

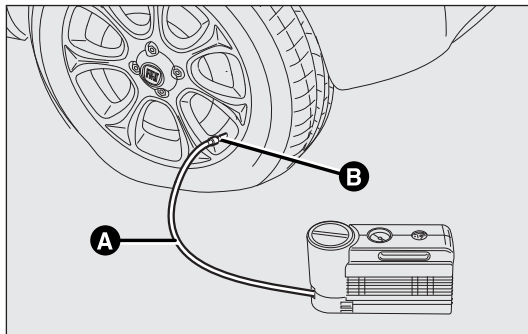


fig. 158

FOU0141m

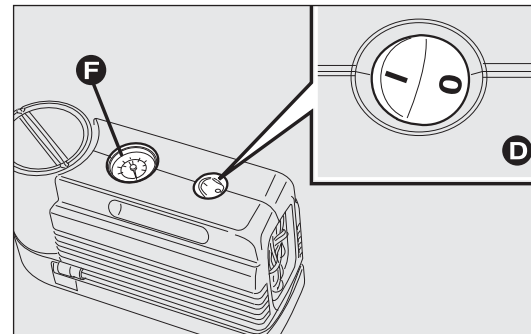


fig. 159

FOU0142m



- if after this operation you still cannot reach at least 1.8 bar after 5 minutes, do not resume driving because the tyre is too damaged and the quick tyre repair kit cannot guarantee suitable sealing. Contact a Fiat Dealership;
- if you do reach the tyre pressure specified in the “Tyre pressure” paragraph in the “Technical specifications” section, start driving immediately;

**WARNING**

**Apply the adhesive label where it can be easily seen by the driver as a reminder that the tyre has been treated with the quick repair kit. Drive carefully, particularly on bends. Do not exceed 80 km/h. Do not accelerate or brake suddenly.**

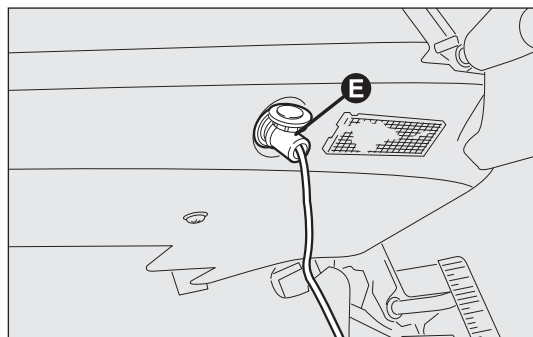


fig. 160

FOU0143m

- after driving for about 10 minutes, stop and check the tyre pressure again; remember to put the handbrake on;

**WARNING**

**If the pressure has fallen below 1.8 bar, do not drive any further: the Fix&Go automatic quick tyre repair kit cannot guarantee proper hold because the tyre is too damaged. Contact a Fiat Dealership.**

- If you get a pressure reading of at least 1.8 bar, restore the proper pressure (with engine running and handbrake on) and restart.
- drive with the utmost care to the nearest Fiat Dealership.

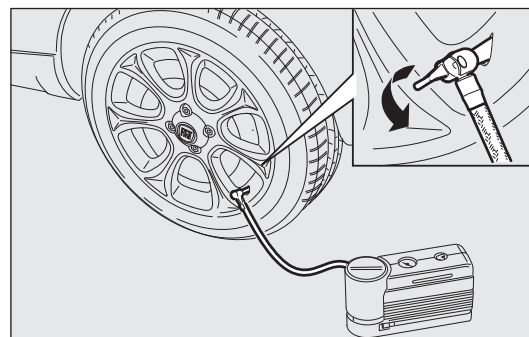


fig. 161

FOU0144m



## WARNING

**Remember to inform the workshop that the tyre has been treated with a quick repair kit. Give the instruction booklet to the personnel charged with handling the treated tyre.**

## FOR CHECKING AND RESTORING PRESSURE ONLY

The compressor may also be used for restoring pressure only. Release the quick coupling and connect directly to the tyre valve fig. 162; in this way, the canister will not be connected to the compressor and no sealing fluid will be injected.

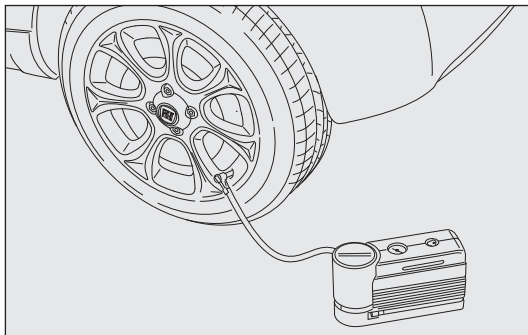


fig. 162

FOU0145m

## CYLINDER REPLACEMENT PROCEDURE

To replace the cylinder, proceed as follows:

- disconnect A-fig. 163;
- turn the canister anticlockwise to lift it out;
- insert the new canister and turn it clockwise;
- connect connection A to the canister and fit the transparent tube B in its proper place.

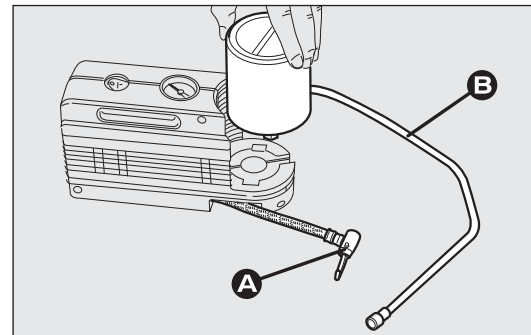


fig. 163

FOU0146m

KNOWING  
YOUR  
VEHICLE

SAFETY

STARTING  
AND DRIVING

WARNING LIGHTS  
AND MESSAGES

IN AN  
EMERGENCY

SERVICING  
AND CARE

TECHNICAL  
SPECIFICATIONS

CONTENTS

## CHANGING A BULB

### GENERAL INSTRUCTIONS

- When a light is not working, check that the corresponding fuse is intact before changing the bulb. For the location of fuses, refer to the “Changing a fuse” paragraph in this section;
- before changing a bulb check the contacts for rusting;
- burnt bulbs must be replaced by others of the same type and wattage;
- for safety reasons, always check the direction of the headlight beam after changing a bulb.



**Halogen lamps must be handled holding the metallic part only. Touching the transparent part of the bulb with your fingers may reduce the intensity of the light emitted and even compromise the longevity of the bulb itself. In the event of accidental contact, wipe the bulb with an alcohol-soaked cloth and allow to dry.**



### WARNING

**Changes or repairs to the electrical system (electronic control units) carried out incorrectly and without due consideration for the technical specifications of the system can lead to malfunctioning and generate a fire hazard.**



### WARNING

**Halogen lamps contain gas under pressure. If they break, glass fragments could fly everywhere.**

**IMPORTANT** The internal surface of the light may appear slightly misty: this does not indicate a fault, and is actually caused by low temperature and the degree of humidity in the air. Misting will rapidly disappear when the headlights are switched on. The presence of drops inside the headlights indicates infiltration of water. Go to a Fiat Dealership.

## TYPES OF BULBS

Various types of bulbs are fitted to your vehicle.

- A Glass bulbs: pushed into position. Pull to extract.
- B Bayonet-type bulbs: to remove from its holder, press the bulb in and turn it anti-clockwise.
- C Tubular bulbs: release them from their contacts to remove.
- D-E Halogen bulbs: to remove the bulb, release the clip holding the bulb in place.

- C Tubular bulbs: release them from their contacts to remove.
- D-E Halogen bulbs: to remove the bulb, release the clip holding the bulb in place.

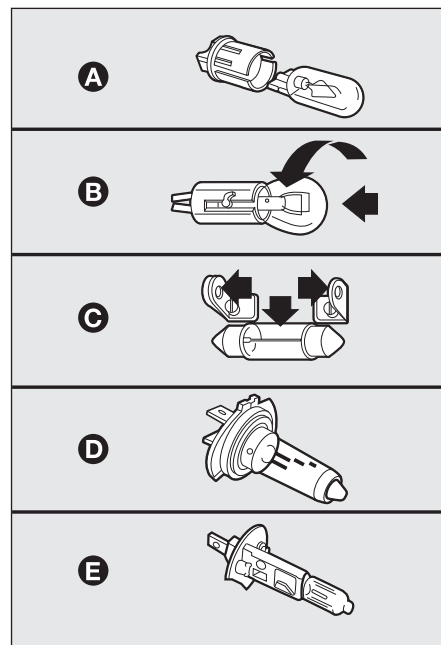


fig. 164

F0U0147m

KNOWING  
YOUR  
VEHICLE

SAFETY

STARTING  
AND DRIVING

WARNING LIGHTS  
AND MESSAGES

**IN AN  
EMERGENCY**

SERVICING  
AND CARE

TECHNICAL  
SPECIFICATIONS

CONTENTS

	<b>Bulbs</b>	<b>Figure ref.</b>	<b>Type</b>	<b>Power</b>
KNOWING YOUR VEHICLE	Main beams	D	H4	55 W
	Dipped beams	D	H4	60 W
SAFETY	Front sidelights	A	W5W	5 W
	Front fog lights (where provided)	–	H11	55 W
STARTING AND DRIVING	Front direction indicators	B	PY21W	21 W
	Side direction indicators	A	WY5W	5 W
	Rear direction indicators	B	P21W	21 W
WARNING LIGHTS AND MESSAGES	Taillights	–	LED	–
	Brake lights	B	P21W	21 W
	Third brake light	B	W2.3W	2.3 W
IN AN EMERGENCY	Reverse lights	–	W16W	16 W
	Rear fog lights	–	W16W	16 W
	Number plate lights	A	W5W	5 W
SERVICING AND CARE	Front ceiling light with movable lens	C	C10W	10 W
	Front ceiling light with spot lights	C	C10W	10 W
	Rear ceiling light	C	C10W	10 W
TECHNICAL SPECIFICATIONS	Boot light	A	W5W	5 W
	Courtesy light	C	C5W	5 W
CONTENTS				

## CHANGING AN EXTERIOR BULB

For the type of bulb and relative power rating, see “Changing a bulb”.

### FRONT LIGHT CLUSTERS fig. 165

The front light clusters contain sidelights, dipped beam, main beam and direction indicator bulbs.

The bulbs are arranged inside the light cluster as follows:

- A sidelights
- B daytime running lights
- C direction indicators
- D main beam/dipped beam headlights.

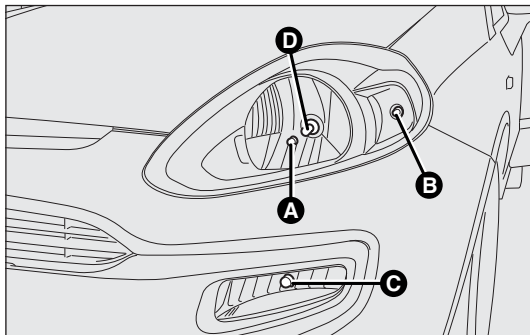


fig. 165

FOU0148m

**IMPORTANT** You can replace the front direction indicator, main beam and dipped beam headlight bulbs through the access flap (see “Direction indicators” in this section).

### SIDELIGHTS fig. 166

To change the bulb, proceed as follows:

- remove the rubber cap by pulling the flap;
- press in tabs B and remove the bulb holder;
- remove the bulb C and replace it;
- refit the bulb holder and then refit the cap, ensuring that it locks into place.

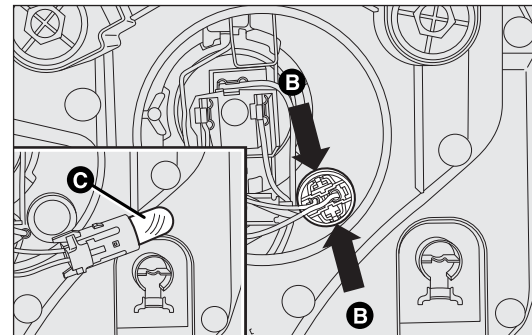


fig. 166

FOU0149m

KNOWING  
YOUR  
VEHICLE

SAFETY

STARTING  
AND DRIVING

WARNING LIGHTS  
AND MESSAGES

IN AN  
EMERGENCY

SERVICING  
AND CARE

TECHNICAL  
SPECIFICATIONS

CONTENTS

## DAYTIME RUNNING LIGHTS (DRL)

To change the bulb, proceed as follows:

- turn the bulb holder A-fig. 167 anti-clockwise using the tab and pull it out;
- remove the bulb B by pushing it in slightly and turning it anti-clockwise;
- refit the bulb holder by putting it in its housing and turning it clockwise until it locks into place.

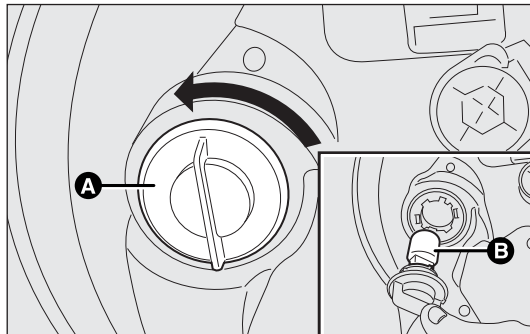


fig. 167

FOU0250m

## MAIN/DIPPED BEAM HEADLIGHTS

To change the bulb, proceed as follows:

- remove the rubber cap;
- disconnect the central electric connector B-fig. 168 and release the bulb holder catch;
- remove the bulb A and replace it;
- fit the new bulb, aligning the outlines of the metallic part with the grooves on the reflector;
- refit the bulb holder catch and reconnect the electrical connector;
- refit the cap A, ensuring that it locks into place.

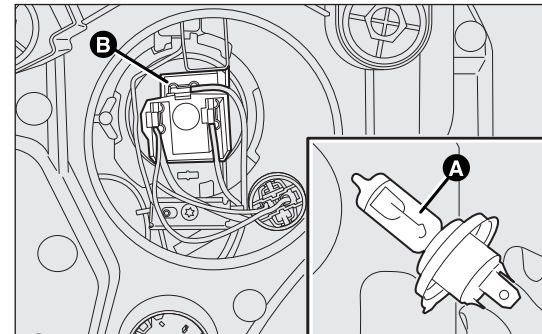


fig. 168

FOU0150m

## DIRECTION INDICATORS

### Front fig. 169

To change the bulb, proceed as follows:

- steer the right/left wheel inwards;
- turn the catch A-fig. 169, then lift off the access lid B;

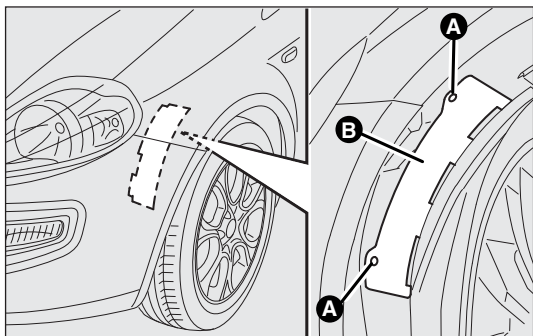


fig. 169

FOU0151m

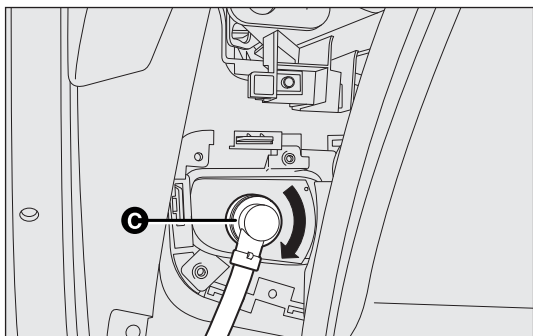


fig. 170

FOU0152m

- remove the bulb holder cover C-fig. 170 by turning it anti-clockwise;
- remove the bulb D-fig. 171 by pushing it in gently and turning anti-clockwise (“bayonet” clamping), then replace it;
- refit the bulb holder cover C-fig. 170 by turning it clockwise and locking it properly;
- close the lid B-fig.169 then tighten the catch A.

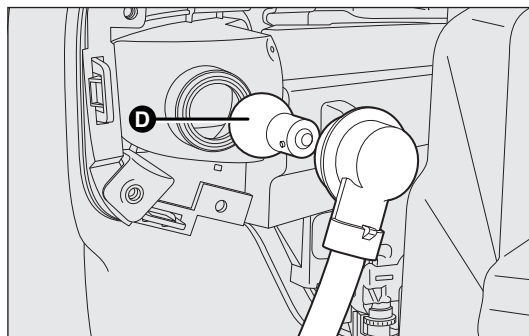


fig. 171

FOU0153m

KNOWING  
YOUR  
VEHICLE

SAFETY

STARTING  
AND DRIVING

WARNING LIGHTS  
AND MESSAGES

IN AN  
EMERGENCY

SERVICING  
AND CARE

TECHNICAL  
SPECIFICATIONS

CONTENTS



**Side fig. 172**

To change the bulb, proceed as follows:

- slide the lens A towards the front of the car to press in the internal catch B, then pull the unit outwards;
- turn the bulb holder C anti-clockwise, extract bulb D and replace it;
- refit the bulb holder C into the lens by turning it clockwise;
- refit the unit making sure the internal catch B clicks into place.

**FRONT FOG LIGHTS**

(for versions/markets where provided)

To replace the bulb:

- loosen the screw A-fig.173/a and remove the protection template B;

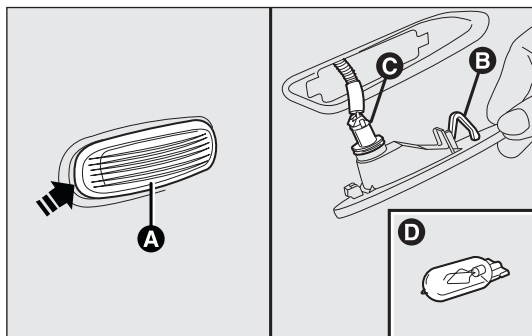


fig. 172

FOU0280m

- loosen the fixing screws C and remove the headlamp;
- remove the bulb A-fig.173/b by rotating it counter-clockwise and disconnect the electrical connector.

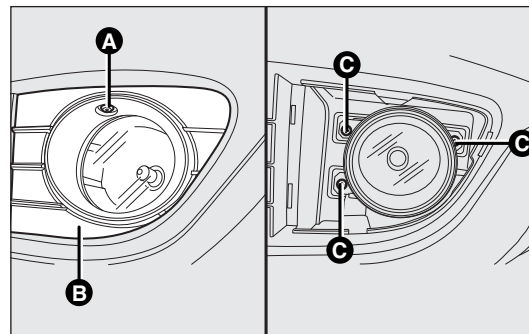


fig. 173/a

FOU0525m

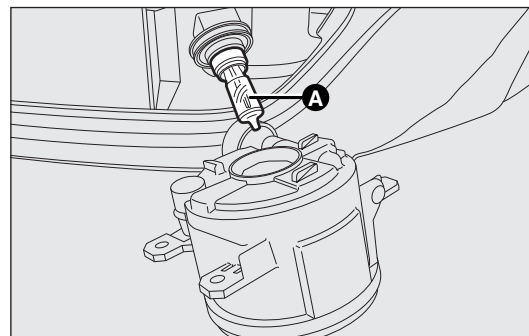


fig. 173/b

FOU0526m

## REAR LIGHT CLUSTERS

The rear light clusters contain taillight, brake light and direction indicator bulbs.

The bulbs are arranged inside the light cluster fig. 174 as follows:

D direction indicators

E brake lights.

To change the bulb proceed as follows:

undo both fastening bolts A-fig 174;

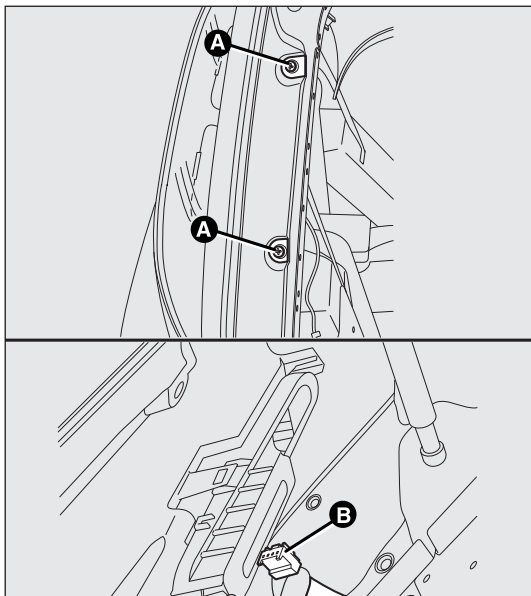


fig. 174

FOU0155m

- disconnect the central electric connector B and pull the lens unit outwards;
- unhook the bulb holder by unclipping the fasteners C-fig. 175;
- remove the bulb by pushing it in gently and turning anti-clockwise (“bayonet” clamping), then replace it;

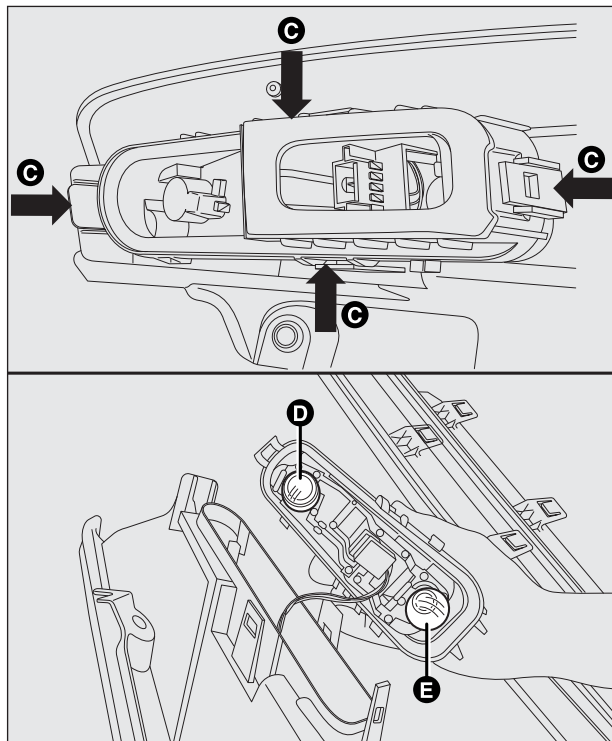


fig. 175

FOU0156m

KNOWING  
YOUR  
VEHICLE

SAFETY

STARTING  
AND DRIVING

WARNING LIGHTS  
AND MESSAGES

IN AN  
EMERGENCY

SERVICING  
AND CARE

TECHNICAL  
SPECIFICATIONS

CONTENTS

- refit the bulb holder;
- reconnect the electric connector, correctly realign the unit with the car body and then tighten the fastening screws A.

**IMPORTANT** To replace the LED taillights you must contact a Fiat Dealership.

### REAR FOG LIGHTS fig. 176

Contact a Fiat Dealership to have bulbs for the rear fog lights A replaced.

### REVERSE LIGHTS fig. 176

Contact a Fiat Dealership to have bulbs for the reverse lights B replaced.

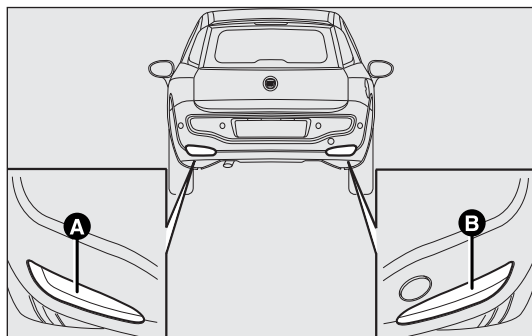


fig. 176

FOU0157m

### THIRD BRAKE LIGHT fig. 177

To change the bulb proceed as follows:

- open the boot;
- remove the rubber caps;
- press in the catches and remove the lens unit C-fig. 177;
- disconnect the electric connector;
- press in the tabs D-fig. 177 and remove the bulb holder;
- remove the snap-fitted bulb and replace it.

### NUMBER PLATE LIGHTS

To change the bulb proceed as follows:

- manipulate the point shown by the arrow and remove the lens unit A-fig. 178;

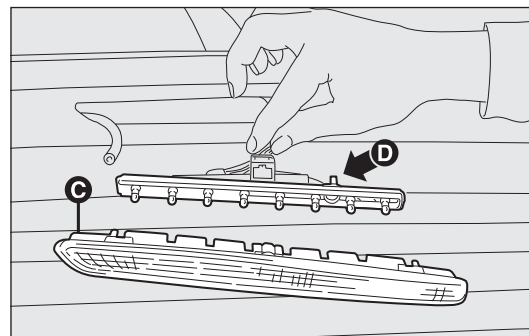


fig. 177

FOU0281m

- change the bulb fig.179 by releasing it from the side contacts and making sure the new bulb is correctly fastened between these contacts;
- refit the snap-fitted lens unit.

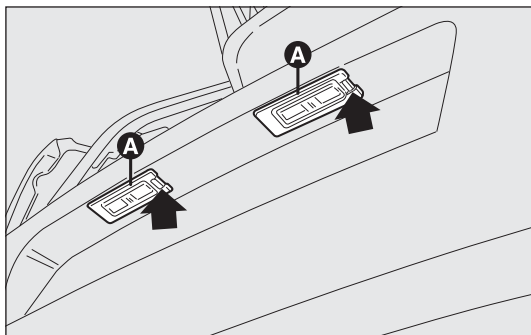


fig. 178

F0U0159m

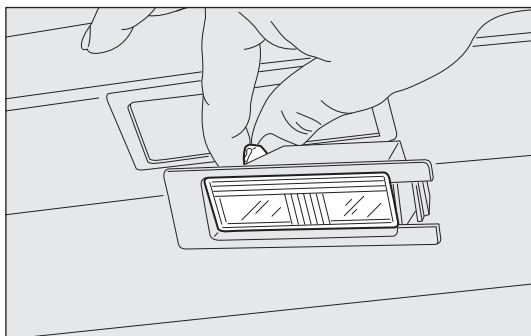


fig. 179

F0U0160m

## CHANGING AN INTERIOR BULB

For the type of bulb and relevant power rating, see “Changing a bulb”.

### FRONT CEILING LIGHT

Proceed as follows to replace the bulbs:

- manipulate the points shown by the arrows and remove light A-fig. 180;
- open the protective flap B-fig. 181;
- replace bulbs C-fig. 181 by releasing them from the side contacts and making sure that new bulbs are correctly clamped between these contacts;
- close the flap B-fig. 181 and fasten the courtesy light A-fig. 180 in its housing, making sure it is locked in correctly.

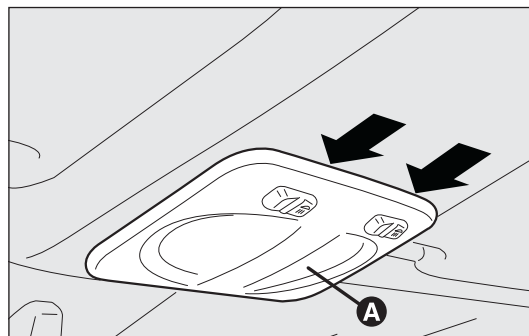


fig. 180

F0U0163m

KNOWING  
YOUR  
VEHICLE

SAFETY

STARTING  
AND DRIVING

WARNING LIGHTS  
AND MESSAGES

**IN AN  
EMERGENCY**

SERVICING  
AND CARE

TECHNICAL  
SPECIFICATIONS

CONTENTS

## REAR CEILING LIGHT

(for versions/markets where provided)

Proceed as follows to replace the bulbs:

- manipulate the points shown by the arrows and remove light D-fig. 182;
- open the protective flap E-fig. 183;
- replace bulb F-fig. 183 by releasing it from the side contacts and making sure that the new bulb is correctly clamped between these contacts;
- re-close the protective flap E-fig. 183 and fit light D-fig. 182 into its housing, making sure it locks into place properly.

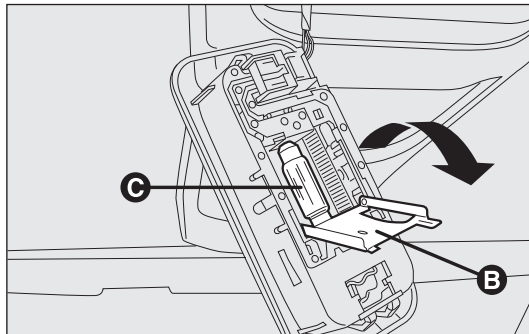


fig. 181

FOU0164m

## COURTESY LIGHT fig. 184

To change the bulb, proceed as follows:

- remove the light A-fig. 184 by levering on the points shown by the arrow.

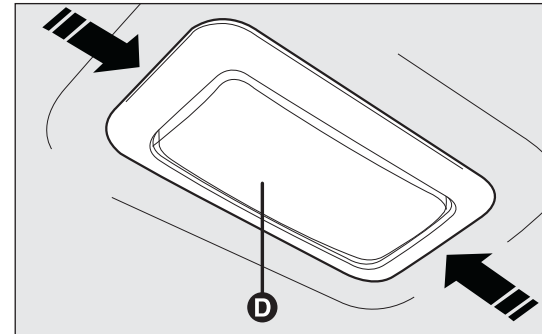


fig. 182

FOU0165m

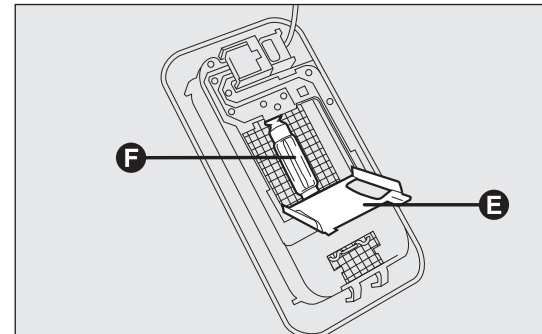


fig. 183

FOU0166m

## BOOT LIGHT fig. 185

To change the bulb, proceed as follows:

- open the boot;
- remove the light A-fig. 185 by levering on the point shown by the arrow.
- open the protective cover B and replace the snap-fitted bulb;
- re-close the protective cover B over the lens;
- refit the light A by inserting it in its correct position firstly on one side and then on the other until it clicks into place.

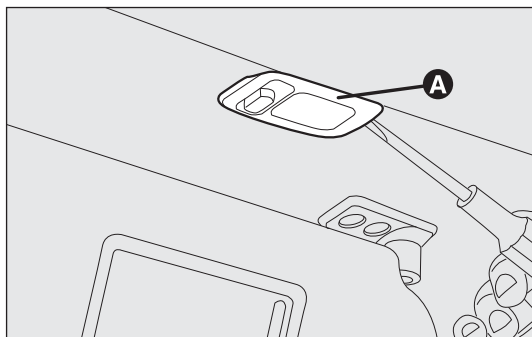


fig. 184

FOU0167m

## PUDDLE LIGHTS fig. 186

(for versions/markets where provided)

To change the bulb, proceed as follows:

- remove the light by pressing clip A-fig. 186 with a screw-driver;
- press the sides of bulb shield B-fig. 187 on the two fastening pins and turn it;
- replace the snap-fitted bulb C;
- reposition the bulb shield by fitting the two fastening pins;

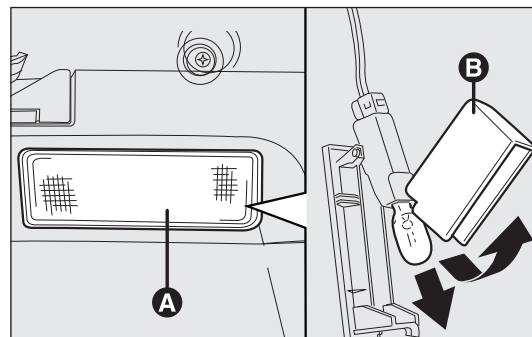


fig. 185

FOU0168m

KNOWING  
YOUR  
VEHICLE

SAFETY

STARTING  
AND DRIVING

WARNING LIGHTS  
AND MESSAGES

IN AN  
EMERGENCY

SERVICING  
AND CARE

TECHNICAL  
SPECIFICATIONS

CONTENTS

- refit the light by first inserting side D-fig. 186 and then pressing the other side until you hear the clip lock into place.

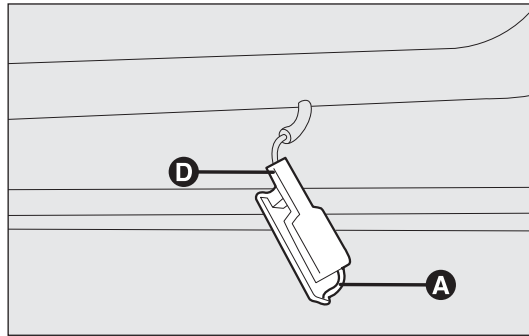


fig. 186

FOU0169m

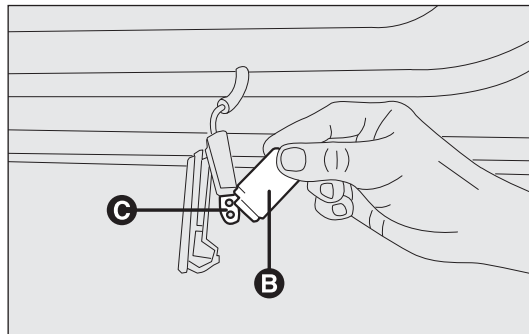


fig. 187

FOU0170

## CHANGING A FUSE

### GENERAL INFORMATION

Fuses protect the electrical system: they cut in (i.e. they blow) in the event of a fault or improper action on the system.

Check the state of the corresponding fuse when a device does not work: the filament A-fig. 188 must be intact. If it is not, replace the blown fuse with a new one of the same amperage (same colour).

B undamaged fuse

C fuse with damaged filament.

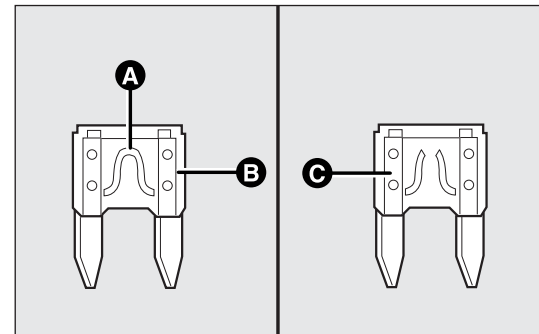


fig. 188

FOU0171m



### WARNING

*Should the fuse blow again, contact a Fiat Dealership.*



*Never replace a blown fuse with metal wires or other materials.*



### WARNING

*Never replace a fuse with one that has a higher amperage: FIRE HAZARD.*



### WARNING

*If a general protection fuse (MEGA-FUSE, MIDI-FUSE, MAXI-FUSE) is activated, contact a Fiat Dealership.*



### WARNING

*Remove the key from the ignition and switch off or disable all devices before replacing a fuse.*



### WARNING

*If a general protection fuse for safety systems (air bag system, braking system), power unit systems (engine system, transmission system) or steering system is triggered, contact a Fiat Dealership.*

KNOWING  
YOUR  
VEHICLE

SAFETY

STARTING  
AND DRIVING

WARNING LIGHTS  
AND MESSAGES

**IN AN  
EMERGENCY**

SERVICING  
AND CARE

TECHNICAL  
SPECIFICATIONS

CONTENTS



## FUSE LOCATION

The fuses are grouped in three control units: on the dashboard, in the engine compartment and in the left-hand side of the boot.

### Dashboard fuse box fig. 190

To access the dashboard fuse box, loosen the screws A-fig. 189 and remove the cover.

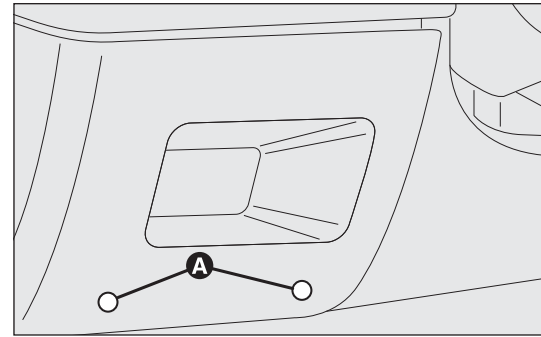


fig. 189

F0U0172m

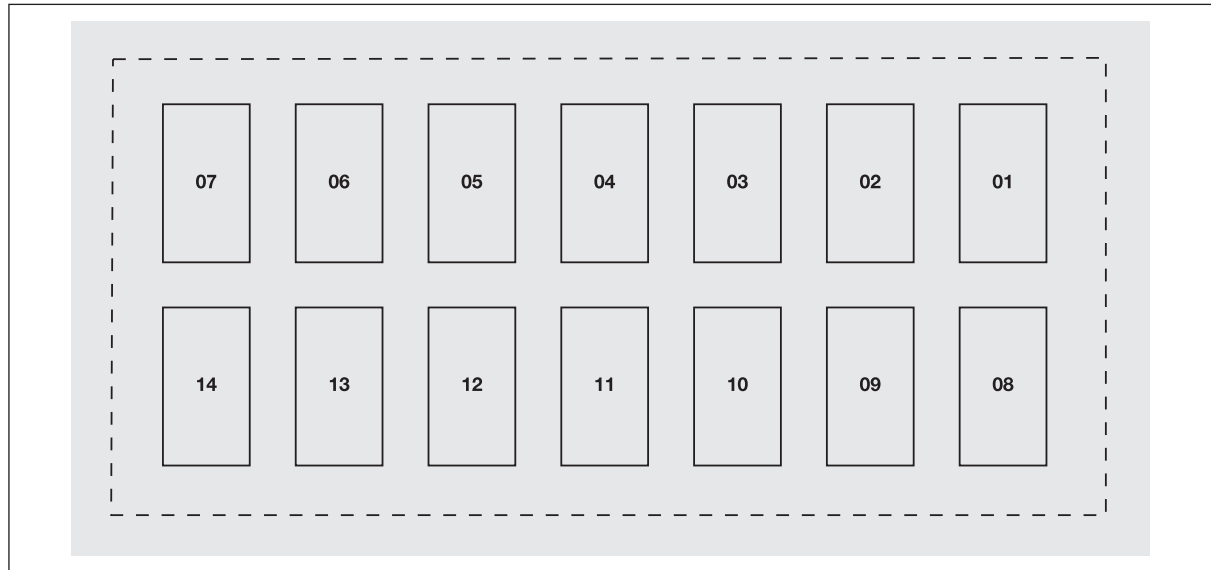


fig. 190

F0U0173m

## Engine compartment fuse box fig. 192

To access the fuse box located next to the battery, remove the protective cover fig. 191 by manipulating the points indicated by the arrow.

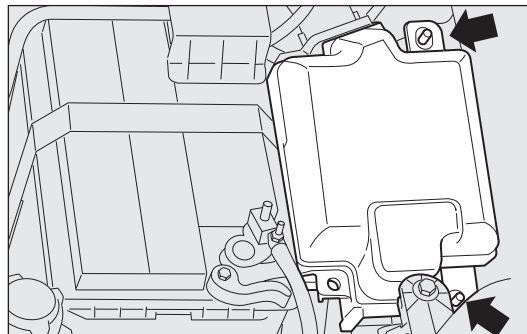


fig. 191

F0U0174m

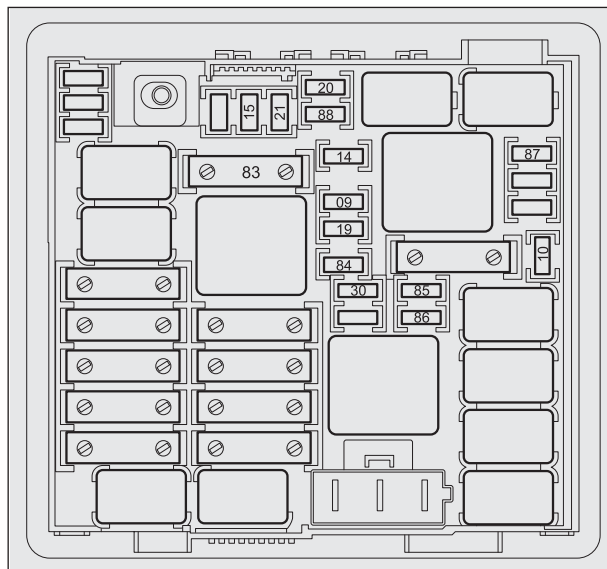


fig. 192

F0U0175m

KNOWING  
YOUR  
VEHICLE

SAFETY

STARTING  
AND DRIVING

WARNING LIGHTS  
AND MESSAGES

**IN AN  
EMERGENCY**

SERVICING  
AND CARE

TECHNICAL  
SPECIFICATIONS

CONTENTS

## Boot fuse box fig. 194

To gain access to the fuse box located on the left side of the boot, open the relevant inspection lid (as shown in fig. 193).

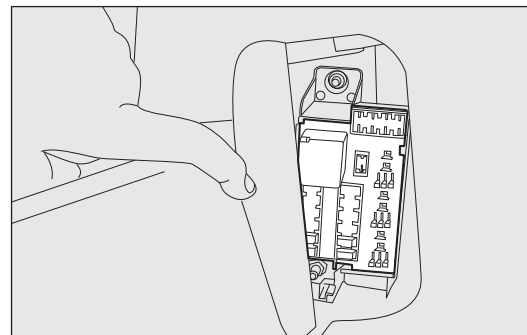


fig. 193

F0U0176m

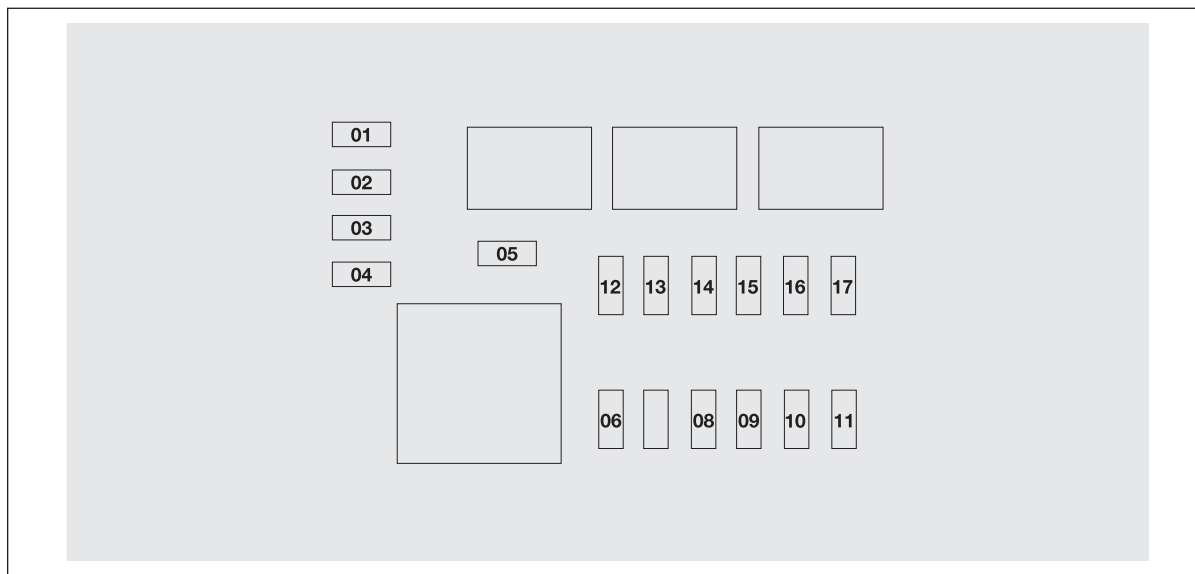


fig. 194

F0U0177m

## FUSE TABLE

### Dashboard fuse box fig. 190

DEVICES	FUSE	AMPS
Right dipped beam headlight	1	7.5
Lift dipped beam headlight, headlamp alignment corrector	8	7.5
INT/A supply for switch coils on engine fuse box and switch coils on body computer control unit	13	5
Front ceiling light, rear ceiling light, visor lights, door marker lights, boot light, glove box light	2	5
Supply and battery for EOBD diagnostic plug, automatic climate control system control unit, alarm, sound system, Blue&Me control unit	5	10
Supply for instrument panel, switch on brake pedal (N.O. contact), third brake light	11	5
Door locking/unlocking motors, dead lock activation motors, boot unlocking motor	4	20
Windscreen/rear window washer pump	6	20
Electric window motor on driver-side front door	14	20
Electric window motor on passenger-side front door	7	20
Supply for dashboard control lights, parking control unit, tyre pressure measurement control unit, electric wing mirror movement, rain sensor, sunroof control unit, My Port infotelematic system socket, electrochromic rear view mirror	12	5
Instrument panel	3	5
Supply for brake pedal switch (NC contact), clutch pedal switch, interior heating unit, Blue&Me control unit, sound system capabilities, voltage stabiliser control unit, reverse light on rear bumper, water sensor on diesel filter, glow plug heating control unit, airflow meter, brake booster sensor, switch coils on engine compartment fuse box	10	7.5

KNOWING  
YOUR  
VEHICLE

SAFETY

STARTING  
AND DRIVING

WARNING LIGHTS  
AND MESSAGES

IN AN  
EMERGENCY

SERVICING  
AND CARE

TECHNICAL  
SPECIFICATIONS

CONTENTS

KNOWING  
YOUR  
VEHICLE**Engine compartment fuse box fig. 192****DEVICES****FUSE****AMPS**

Hi-Fi sound system with control unit and subwoofer

09

20

SAFETY

Single tone horn

10

10

Left main beam headlight, right main beam headlight

14

15

STARTING  
AND DRIVING

Additional heater

15

30

Air conditioning compressor

19

7.5

Heated rear window

20

30

WARNING LIGHTS  
AND MESSAGES

Fuel pump on tank

21

15

Left fog light, right fog light

30

15

**IN AN  
EMERGENCY**

Methane system supply management solenoid valves

84

7.5

Socket (ready for use)

85

–

Passenger compartment socket, cigarette lighter

86

15

SERVICING  
AND CARE

Battery charge status sensor

87

5

De-mister on driver-side wing mirror, de-mister on passenger-side wing mirror

88

7.5

TECHNICAL  
SPECIFICATIONS

CONTENTS

## Boot fuse box fig. 194

DEVICES	FUSE	AMPS
Sunroof opening system	17	20
Alarm system management control unit	14	7.5
Spare	01	–
Spare	03	–
Electric lumbar movement on driver's seat	04	10
Spare	15	–
Electric windows system (motor, control unit) on right-hand door	10	20
Spare	16	–
Driver's seat heater control unit	08	10
Tow hook system (capability for after-sale fuse assembly)	07	–
Boot socket	05	15
Electric windows system (motor, control unit) on left-hand door	11	20
TPMS (tyre pressure monitoring system) control unit	13	5
Front passenger seat heater control unit	09	10
Spare	06	–
Spare	02	–

KNOWING  
YOUR  
VEHICLE

SAFETY

STARTING  
AND DRIVING

WARNING LIGHTS  
AND MESSAGES

**IN AN  
EMERGENCY**

SERVICING  
AND CARE

TECHNICAL  
SPECIFICATIONS

CONTENTS

## RECHARGING THE BATTERY

**IMPORTANT** The battery recharging procedure is provided for information purposes only. You are recommended to go to a Fiat Dealership to have this operation performed.

We recommend recharging the battery slowly for approximately 24 hours at low amperage. Rapid charging with high currents could damage the battery.

### VERSIONS WITHOUT Start&Stop SYSTEM (for versions/markets, where provided)

Charge the battery as follows:

- disconnect the battery negative terminal;
- connect the charger leads to the battery terminals, observing the polarity;
- turn on the charger;
- when you have finished, turn the charger off before disconnecting the battery;
- reconnect battery negative terminal.

### VERSIONS WITH Start&Stop SYSTEM (with dummy pole) fig. 195a (for versions/markets, where provided)

To charge, proceed as follows:

- disconnect the quick-release negative terminal A from the negative dummy pole B because the battery negative pole C has a sensor D monitoring the battery conditions, that should never be disconnected from the negative pole C (unless the battery is replaced);

- connect the battery charger positive cable to the battery positive pole E and the negative cable to the dummy pole B;
- switch on the battery charger. At the end of the charging process, switch the charger off before disconnecting it;
- after disconnecting the battery charger, reconnect the quick-release negative terminal A to the dummy pole B.

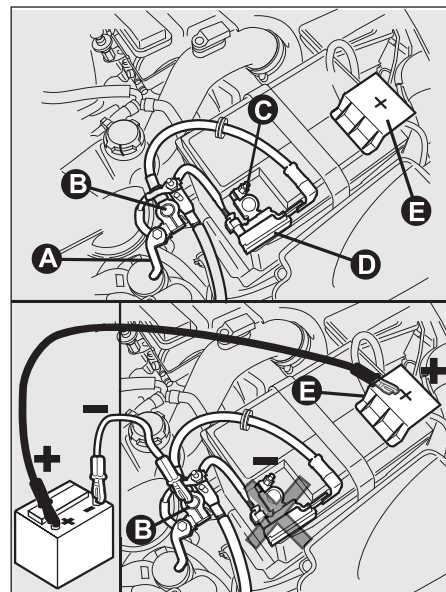


fig. 195a

F0U0547m

## VERSIONS WITH Start&Stop SYSTEM (without dummy pole) fig. 195b (for versions/markets, where provided)

To charge, proceed as follows:

- disconnect the connector A (pressing the button B) from the sensor C monitoring the battery conditions, on the negative pole D of the battery;
- connect the battery charger positive cable E and the negative cable to the terminal of sensor D, according to figure;

- turn on the battery charger. At the end of the charging process, switch the battery charger off;
- after disconnecting the battery charger, reconnect the connector A to the sensor C according to figure.

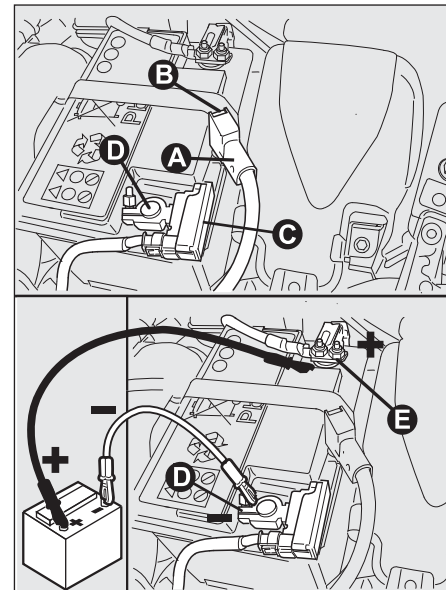


fig. 195b

FOU0548m

KNOWING  
YOUR  
VEHICLE

SAFETY

STARTING  
AND DRIVING

WARNING LIGHTS  
AND MESSAGES

**IN AN  
EMERGENCY**

SERVICING  
AND CARE

TECHNICAL  
SPECIFICATIONS

CONTENTS



**WARNING**

**Battery fluid is poisonous and corrosive: avoid contact with your skin and eyes. The battery recharging operation must be performed in a ventilated place, away from naked flames or possible sources of sparks to avoid the risk of explosion and fire.**

**WARNING**

**Don't try to recharge a frozen battery: defrost it first or it might explode. If the battery was frozen, have it inspected by specialised personnel before recharging to check that the internal elements are not damaged and that the casing is not cracked, which could cause poisonous, corrosive acid to leak.**

## RAISING THE CAR

If the car needs to be lifted, go to a Fiat Dealership which is equipped with the arm hoist or workshop lift.

Lift the car only by positioning the ends of the jack arms or the workshop lift at the points shown in fig. 196.

**IMPORTANT** For Sport versions, take care not to damage the side skirts when lifting the car with the workshop lift.

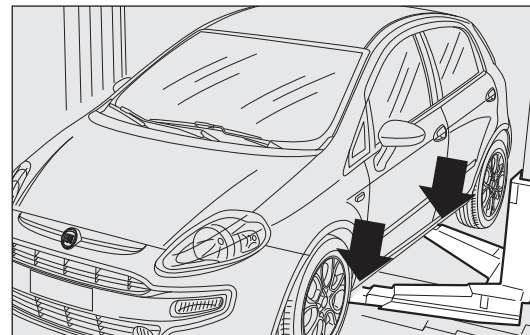


fig. 196

FOU0178m

## TOWING THE CAR

The tow ring provided with the car is housed in the tool box under the boot carpet.

### FASTENING THE TOW RING fig. 197a-197b

Proceed as follows:

- release the cap A;
- take the tow ring B from its support;
- fully tighten the ring on the rear or front threaded pin.

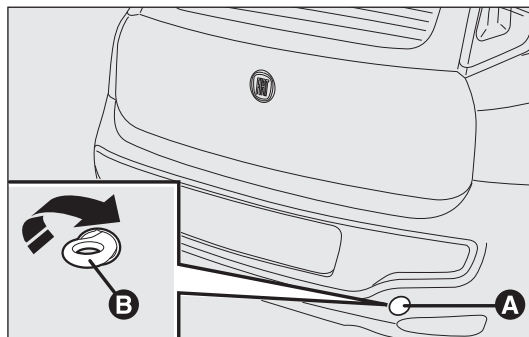


fig. 197a

F0U0179m

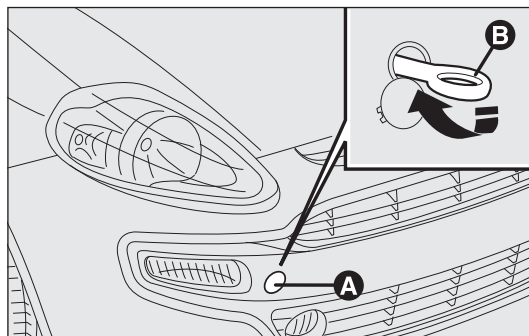


fig. 197b

F0U0180m

KNOWING  
YOUR  
VEHICLE

SAFETY

STARTING  
AND DRIVING

WARNING LIGHTS  
AND MESSAGES

IN AN  
EMERGENCY

SERVICING  
AND CARE

TECHNICAL  
SPECIFICATIONS

CONTENTS

**WARNING**

*The brake booster and power steering will not work while the vehicle is being towed. You will therefore need to apply more force to the brake pedal and steering wheel. Do not use bendy cables for towing and avoid jerking. Make sure not to damage parts in contact with the car while towing. When towing the vehicle, be sure to respect the specific rules of the highway code specifically in relation to the towing device and the behaviour to maintain on the road.*

**WARNING**

*Before towing, switch off the steering lock (see “Ignition” in the “Dashboard and controls” section). The brake booster and power steering will not work while the vehicle is being towed. You will therefore need to apply more force to the brake pedal and steering wheel. Do not use bendy cables for towing and avoid jerking. Make sure not to damage parts in contact with the car while towing. Respect the rules of the highway code when towing the car, specifically in relation to the towing device and road conduct.*

**WARNING**

*During towing, do not start up the engine.*

**WARNING**

*Clean the threaded housing thoroughly before fastening the tow ring. Make sure that the ring is securely fastened before towing the car.*

**WARNING**

*The front and rear tow hooks should be used only for emergency operations on the road. You are allowed to tow the car for short distances using an appropriate device in accordance with the highway code (a rigid bar), to move the vehicle on the road in readiness for towing or transporting via a breakdown vehicle. Tow hooks **MUST NOT** be used to tow vehicles off the road or where there are obstacles and/or for towing operations using cables or other non-rigid devices. Respecting the above conditions, towing must take place with the two vehicles (one towing, the other towed) aligned as much as possible along the same centre line.*

# SERVICING AND CARE

## SCHEDULED SERVICING

Correct maintenance is essential for ensuring long car life under the best conditions.

That is why Fiat has prepared a series of checks and service operations to be carried out every 30,000 kilometres (for petrol and Euro 4 diesel versions) or every 35,000 kilometres (for Euro 5 diesel versions).

It is, however, important to remember that scheduled servicing does not completely cover all the car's requirements: even in the initial period before 30,000/35,000 km, and then subsequently between one service and another, ordinary care is always required such as routine checks involving topping up fluid levels, checking tyre pressures etc...

**IMPORTANT** Scheduled Services are prescribed by the manufacturer. Failure to stick to the schedule may invalidate the warranty.

Scheduled Servicing is performed by all Fiat Dealerships at pre-arranged times.

If, during each part of the service, the need arises for additional replacements or repairs, these may be carried out only with the explicit agreement of the Customer.

**IMPORTANT** You are advised to contact a Fiat Dealership immediately in the event of any minor operating faults, without waiting for the next service.

If your car is used frequently for towing trailers, the interval between services should be reduced.

KNOWING  
YOUR  
VEHICLE

SAFETY

STARTING  
AND DRIVING

WARNING LIGHTS  
AND MESSAGES

IN AN  
EMERGENCY

**SERVICING  
AND CARE**

TECHNICAL  
SPECIFICATIONS

CONTENTS

# SCHEDULED SERVICING PLAN

## EURO 4, EURO 5 PETROL AND EURO 4 DIESEL VERSIONS

	Thousands of kilometres	30	60	90	120	150	180
SAFETY	Check tyre condition/wear and adjust pressure if required	●	●	●	●	●	●
	Check operation of lighting system (headlamps, direction indicators, hazard warning lights, boot, passenger compartment, glove box, instrument panel warning lights, etc.)	●	●	●	●	●	●
STARTING AND DRIVING	Check operation of windscreen washer system and adjust nozzles if necessary.	●	●	●	●	●	●
	Check windscreen/rear window wiper blade position/wear	●	●	●	●	●	●
WARNING LIGHTS AND MESSAGES	Check conditions and wear of front/rear disc brake pads (for versions/markets where provided) and operation of pad wear indicator	●	●	●	●	●	●
	Check condition and wear of rear drum brake linings		●		●		●
IN AN EMERGENCY	Visually inspect the conditions of: bodywork, underbody protection, pipes and tubes (exhaust – fuel – brakes), rubber parts (boots, sleeves, bushes, etc.)	●	●	●	●	●	●
	Check cleanliness of bonnet and boot locks, and the cleanliness and lubrication of linkages	●	●	●	●	●	●
SERVICING AND CARE	Check and, if necessary, top up fluid levels (brakes/hydraulic clutch, windscreen washer, battery, engine coolant, etc.)	●	●	●	●	●	●
	Check the handbrake lever stroke and adjust it, if necessary	●	●	●	●	●	●
TECHNICAL SPECIFICATIONS	Visually inspect the condition of accessory drive belt/s.		●				●
	Visually inspect the condition of toothed timing belt		●				●
CONTENTS	Check tension of accessory drive belt/s, and adjust if necessary (versions 1.2 – 1.4 heated)	●				●	
	Check and, if necessary, adjust tappet clearance (1.2 8v – 1.4 8v versions)		●		●		●
	Check exhaust gas emissions	●	●	●	●	●	●

Thousands of kilometres	30	60	90	120	150	180
Check engine management system operation (via diagnostic socket)	●	●	●	●	●	●
Replace accessory drive belt/s				●		
Replace toothed timing belt (*)				●		
Replace spark plugs (petrol versions) ▲ (1)	●	●	●	●	●	●
Replace fuel filter (diesel versions)		●		●		●
Replace air filter cartridge (petrol versions) □		●		●		●
Change engine oil and replace oil filter (petrol versions) (or every 24 months) ▲ (3)	●	●	●	●	●	●
Change engine oil and replace oil filter (EURO 4 diesel versions without DPF) (or every 24 months)	●	●	●	●	●	●
Change engine oil and oil filter (diesel EURO 4 versions with DPF) ▲ ▲ (2)		●		●		●
Change brake fluid (or every 24 months)		●		●		●
Replace pollen filter (or every 15 months)	●	●	●	●	●	●

(\*) Regardless of the distance covered, the timing belt should be replaced every 4 years for particularly demanding use (cold climates, city driving, idling for a long time, dusty areas) or, in any case, every 5 years.

□ For Euro 4 diesel versions, the air filter cartridge should be replaced every 30,000 km.

▲ The engine oil and the filter must be replaced when the warning light on the dashboard comes on (see the “Warning lights and messages” section) or at least every 24 months.



**(1) For 1.4 Turbo Multi Air versions, in order to guarantee correct operation and prevent serious damage to the engine, it is essential to observe the following:**

- only use spark plugs specifically certified for 1.4 Turbo Multi Air engines; all spark plugs should be of the same type and brand (see the “Engine” paragraph);
- adhere strictly to the spark plug replacement intervals detailed in the Scheduled Servicing Plan;
- it is advisable to have this performed at a Fiat Dealership.

**(2) If the car is used mainly for town driving, the engine oil and filter should be changed every 12 months.**

**(3) If the vehicle is used mainly around town or the annual distance travelled is less than 10,000 km, the engine oil and oil filter must be changed every 12 months.**

KNOWING YOUR VEHICLE

SAFETY

STARTING AND DRIVING

WARNING LIGHTS AND MESSAGES

IN AN EMERGENCY

SERVICING AND CARE

TECHNICAL SPECIFICATIONS

CONTENTS

## EURO 5 DIESEL VERSIONS

	Thousands of kilometres	35	70	105	140	175
KNOWING YOUR VEHICLE	Check tyre condition/wear and adjust pressure if required	●	●	●	●	●
SAFETY	Check operation of lighting system (headlamps, direction indicators, hazard warning lights, boot, passenger compartment, glove box, instrument panel warning lights, etc.)	●	●	●	●	●
	Check operation of windscreen washer system and adjust nozzles if necessary	●	●	●	●	●
STARTING AND DRIVING	Check windscreen/rear window wiper blade position/wear	●	●	●	●	●
	Check condition and wear of front disc brake pads and operation of pad wear indicator	●	●	●	●	●
WARNING LIGHTS AND MESSAGES	Check condition and wear of rear disc brake pads (1.6 Multijet versions)	●	●	●	●	●
	Check condition and wear of rear drum brake linings (1.3 Multijet version)		●		●	
IN AN EMERGENCY	Visually inspect the conditions of: bodywork, underbody protection, pipes and tubes (exhaust - fuel - brakes), rubber parts (boots, sleeves, bushes, etc.)	●	●	●	●	●
	Check cleanliness of bonnet and boot locks, as well as cleanliness and lubrication of linkages	●	●	●	●	●
SERVICING AND CARE	Check and, if necessary, top up fluid levels (brakes/hydraulic clutch, windscreen washer, battery, engine coolant, etc.)	●	●	●	●	●
	Check the handbrake lever stroke and adjust it, if necessary	●	●	●	●	●
TECHNICAL SPECIFICATIONS	Visually inspect the condition of accessory drive belts		●			●
	Check emissions/fumes	●	●	●	●	●
	Check engine management system operation (via diagnostic socket)	●	●	●	●	●
CONTENTS	Replace accessory drive belt/s			●		

	Thousands of kilometres				
	35	70	105	140	175
Replace toothed timing belt (*) (1.6 Multijet version)				●	
Replace fuel filter		●		●	
Replace air filter cartridge	●	●	●	●	●
Change engine oil and replace oil filter (**)		●		●	
Change brake fluid (or every 24 months)		●		●	
Change pollen filter (or every 15 months)	●	●	●	●	●

(\*) Regardless of distance covered, the timing belt must be replaced every four years in for particularly demanding use (cold climates, city driving, long periods of idling) or at least every five years in all other cases.

(\*\*) The engine oil and the filter must be replaced when the warning light on the dashboard comes on (see the “Warning lights and messages” section) or at least every 24 months.



***If the car is used mainly for town driving, the engine oil and filter should be changed every 12 months.***

KNOWING  
YOUR  
VEHICLE

SAFETY

STARTING  
AND DRIVING

WARNING LIGHTS  
AND MESSAGES

IN AN  
EMERGENCY

SERVICING  
AND CARE

TECHNICAL  
SPECIFICATIONS

CONTENTS



## REGULAR CHECKS

Every 1,000 km or before long journeys, check and, if necessary, top up:

- engine coolant fluid level;
- brake fluid level;
- windscreen washer fluid level;
- tyre pressures and conditions;
- operation of lighting system (headlights, direction indicators, hazard lights, etc.);
- operation of the windscreen wiper/washer system, position and wear of the windscreen and rear window wiper blades;

Check and top up, if required, the engine oil level every 3,000 km.

You are recommended to use PETRONAS LUBRICANTS products, which have been designed and produced specifically for Fiat cars (see table “Capacities” in the “Technical specifications” section).

## HEAVY USAGE OF THE VEHICLE

Should the car be used predominantly in one of the following particularly demanding conditions:

- trailer or caravan towing;
- dusty roads;
- short (less than 7-8 km) and repeated journeys in sub-zero temperatures;
- frequently idling engine or long-distance, low-speed driving (e.g. door-to-door deliveries), or in the event of long-term inactivity;
- in cities;

perform the following inspections more frequently than shown on the Scheduled Servicing Plan:

- check condition and wear of front disc brake pads;
- check cleanliness of bonnet and boot locks, as well as cleanliness and lubrication of linkages;
- visually inspect the conditions of: engine, gearbox, transmission, pipes and tubes (exhaust – fuel – brakes), rubber parts (boots, sleeves, bushes, etc.);
- check battery charge and liquid level (electrolyte);
- visually inspect condition of accessory drive belts;
- check pollen filter and replace it, if required;
- check air filter and replace, if required.

## CHECKING LEVELS



### WARNING

Never smoke while working in the engine compartment: inflammable gases and vapours may be present, constituting a fire risk.



When topping up, take care not to mix up the various types of fluids: they are not compatible with each other and could seriously damage the car.

1. Engine coolant
2. Battery
3. Windscreen washer fluid
4. Brake fluid
5. Engine oil.

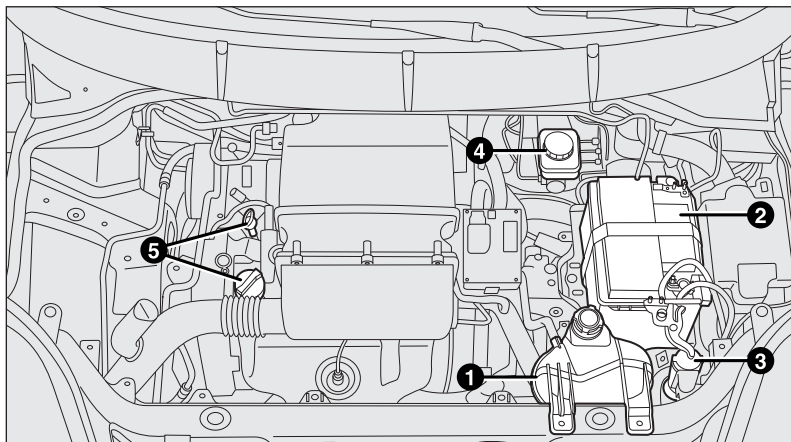


fig. 198 – 1.2 (EURO 4) - 1.4 8v (EURO 4) versions

F0U0181m

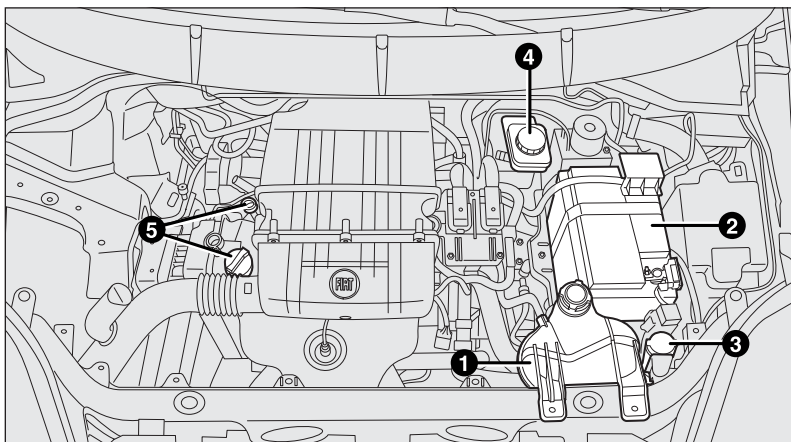


fig. 198a – 1.2 (EURO 5) - 1.4 8v (EURO 5) versions

F0U0553m

KNOWING  
YOUR  
VEHICLE

SAFETY

STARTING  
AND DRIVING

WARNING LIGHTS  
AND MESSAGES

IN AN  
EMERGENCY

SERVICING  
AND CARE

TECHNICAL  
SPECIFICATIONS

CONTENTS

1. Engine coolant
2. Battery
3. Windscreen washer fluid
4. Brake fluid
5. Engine oil.

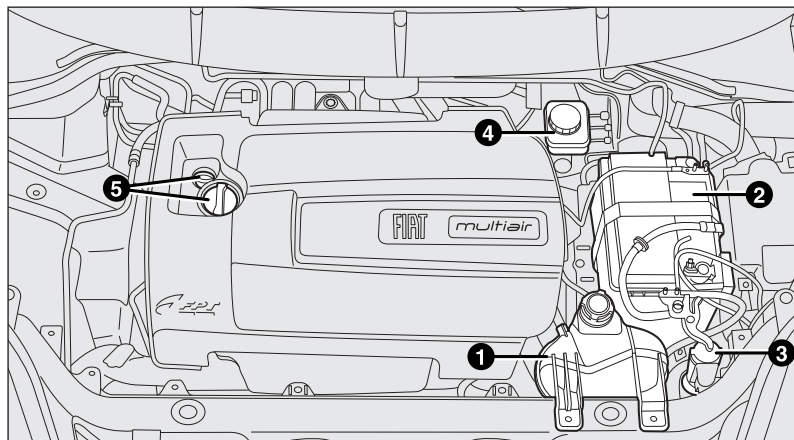


fig. 199 – I.4 Multi Air versions

FOU0182m

1. Engine coolant
2. Battery
3. Windscreen washer fluid
4. Brake fluid
5. Engine oil.

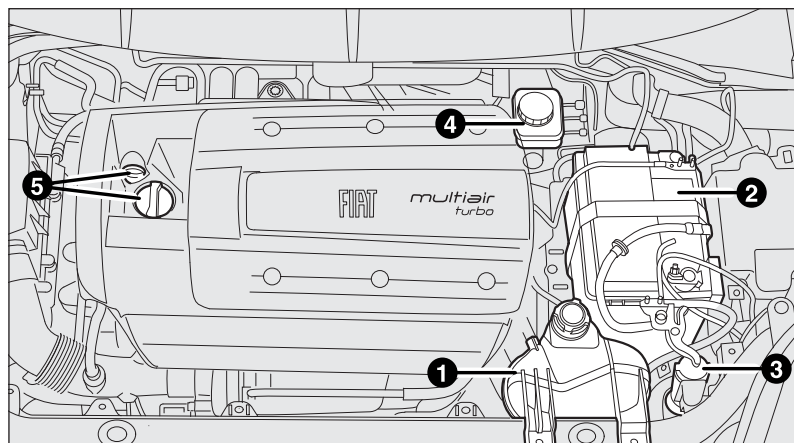


fig. 200 – I.4 Turbo Multi Air version

FOU0344m

1. Engine oil
2. Engine coolant
3. Windscreen washer fluid
4. Brake fluid
5. Battery
6. Diesel filter.

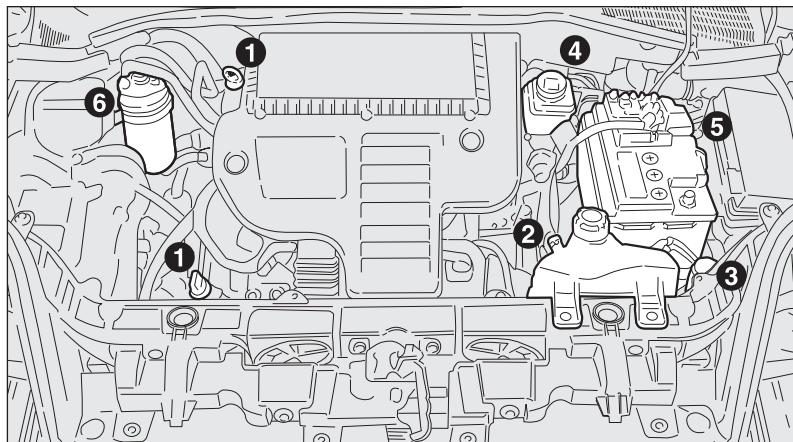


fig. 201 – I.3 Multijet (EURO 4) version

F0U0345m

1. Engine coolant
2. Battery
3. Windscreen washer fluid
4. Brake fluid
5. Engine oil
6. Diesel filter.

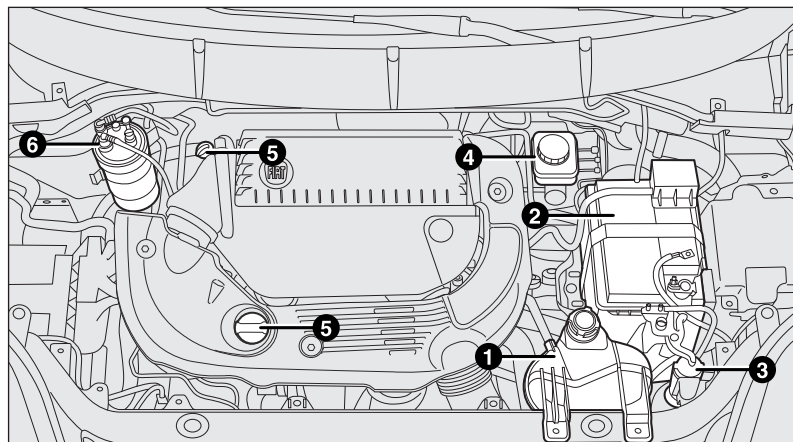


fig. 202 – I.3 Multijet (EURO 5) version

F0U0183m

KNOWING  
YOUR  
VEHICLE

SAFETY

STARTING  
AND DRIVING

WARNING LIGHTS  
AND MESSAGES

IN AN  
EMERGENCY

SERVICING  
AND CARE

TECHNICAL  
SPECIFICATIONS

CONTENTS

1. Engine oil
2. Engine coolant
3. Windscreen washer fluid
4. Brake fluid
5. Battery
6. Diesel filter.

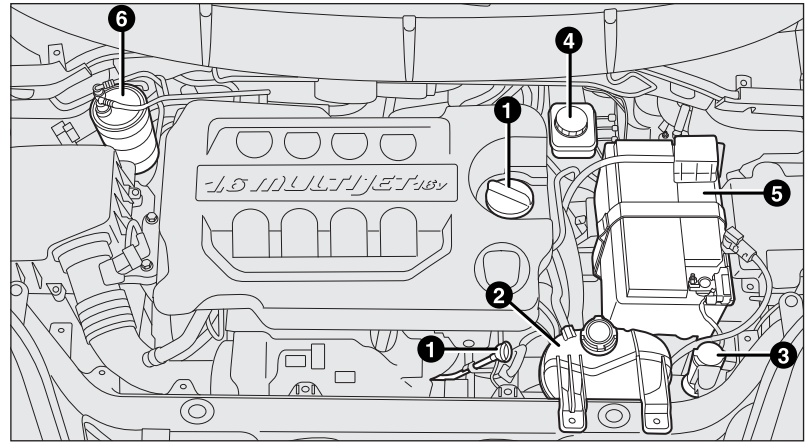


fig. 203 – 1.6 Multijet version

FOU0184m

### ENGINE OIL fig. 204-205-206-207

Check the oil level a few minutes (about 5) after the engine has stopped, with the car parked on level ground.

The oil level should be between the MIN and MAX marks on the dipstick B.

The gap between the MIN and MAX marks corresponds to about 1 litre of oil.

If the oil level is near or under the MIN line, add oil through the filler A until it reaches the MAX line.

The oil level should never exceed the MAX line.

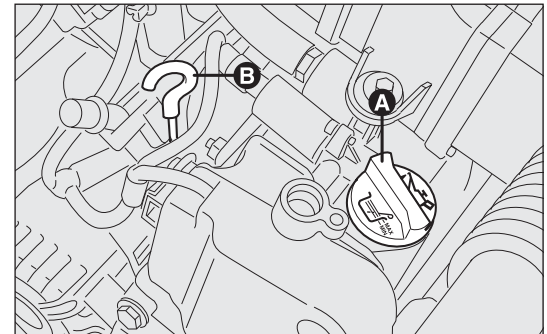


fig. 204 – 1.2 and 1.4 8v versions

FOU0282m

## ENGINE OIL CONSUMPTION

The maximum engine oil consumption is usually 400 grams every 1,000 km.

During the initial period of usage for the vehicle, the engine is bedding in, therefore the engine oil consumption may settle down only after the first 5,000 – 6,000 km.

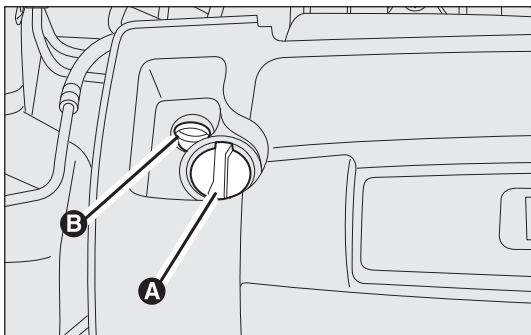


fig. 205 – 1.4 Multi Air versions

FOU0283m

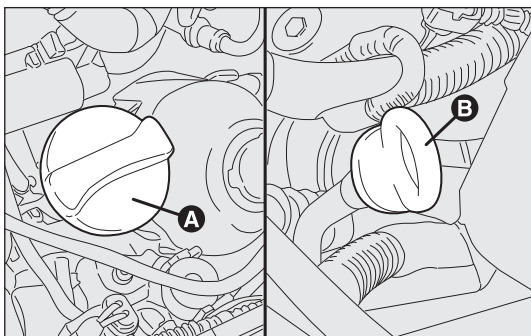


fig. 206 – 1.3 Multijet version

FOU0284m

**IMPORTANT** The oil consumption depends on driving style and the conditions under which the car is used.

**IMPORTANT** After adding or changing the oil, let the engine turn over for a few seconds and wait a few minutes after turning it off before you check the level.



### WARNING

**Be very careful working in the engine compartment when the engine is hot: you may get burned. Remember that the fan may start up if the engine is hot: this could injure you. Make sure that scarves, ties and other items of loose-fitting clothing do not get caught up in moving components.**



**Do not add oil with different characteristics from those of the existing engine oil.**

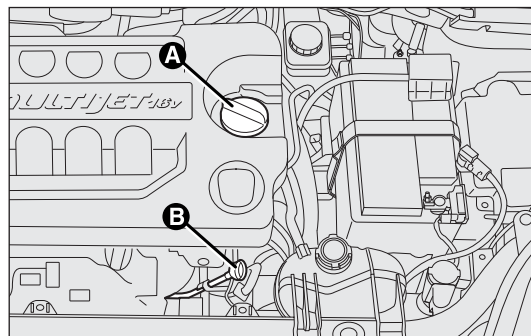


fig. 207 – 1.6 Multijet version

FOU0285m

KNOWING  
YOUR  
VEHICLE

SAFETY

STARTING  
AND DRIVING

WARNING LIGHTS  
AND MESSAGES

IN AN  
EMERGENCY

SERVICING  
AND CARE

TECHNICAL  
SPECIFICATIONS

CONTENTS



**The used engine oil and the replaced oil filter contain substances that are harmful to the environment. It is advisable to have oil and filters changed by a Fiat Dealership, where they will be disposed of properly and in accordance with the law.**

## ENGINE COOLANT fig. 208

The coolant level should be checked when the engine is cold and should be between the MIN and MAX lines on the reservoir.

If the level is low, slowly pour a mixture of 50% distilled water and 50% PARAFLU<sup>UP</sup> (made by PETRONAS LUBRICANTS) through the filler neck A until the level approaches MAX.

A 50-50 mixture of PARAFLU<sup>UP</sup> and distilled water gives freeze protection up to  $-35^{\circ}\text{C}$ .

When the vehicle is used in particularly harsh weather conditions, we recommend using a 60-40 mixture of PARAFLU<sup>UP</sup> and distilled water.



**PARAFLU<sup>UP</sup> anti-freeze is used in the engine cooling system. Use the same fluid as in the cooling system when topping up. PARAFLU<sup>UP</sup> should not be mixed with any other type of fluid. If this accidentally occurs, do not start the engine and contact a Fiat Dealership.**

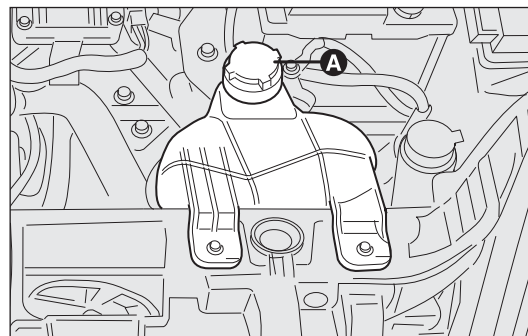


fig. 208

F0U0286m



### WARNING

*The engine cooling system is pressurized. If the cap needs replacing, do so with another original or the effectiveness of the system may be compromised. Do not remove the cap from the reservoir when the engine is hot: you may get burned*

## WINDSCREEN/REAR WINDOW WASHER/ HEADLIGHT WASHER FLUID fig. 209

To top up, remove the cap A.

Pour in a mixture of water and TUTELA PROFESSIONAL SC35 liquid, in the following concentrations:

30% TUTELA PROFESSIONAL SC35 and 70% water in summer.

50% TUTELA PROFESSIONAL SC35 and 50% water in winter.

At temperatures below  $-20^{\circ}\text{C}$ , use undiluted TUTELA PROFESSIONAL SC35 fluid.

Check the level through the reservoir.



### WARNING

*Do not travel if the windscreen washer reservoir is empty: using the windscreen washer is essential for improving visibility.*



### WARNING

*Some commercial additives for windscreen washing are flammable. The engine compartment contains hot parts which could cause a fire if they come into contact with these additives.*

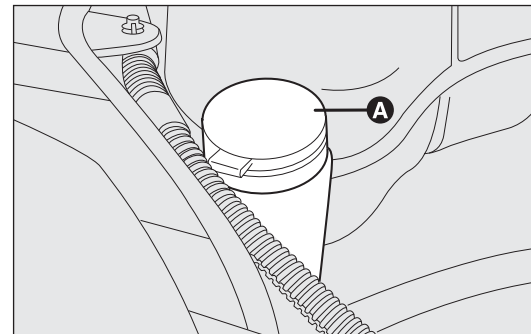


fig. 209

FOU0287m

KNOWING  
YOUR  
VEHICLE

SAFETY

STARTING  
AND DRIVING

WARNING LIGHTS  
AND MESSAGES

IN AN  
EMERGENCY

SERVICING  
AND CARE

TECHNICAL  
SPECIFICATIONS

CONTENTS



**BRAKE FLUID fig. 210**

Undo the cap A and check that the liquid contained in the reservoir is at the maximum level.

Fluid level in the reservoir must not exceed the MAX mark.

If you do need to top up, use the brake fluid shown in the “Fluids and lubricants” table (see “Technical Specifications”).

NB Carefully clean the reservoir cap A and the surrounding surfaces.

When opening the cap, make sure that no dirt gets into the reservoir.

For topping up, always use a funnel with integrated filter that has a mesh inferior or equal to 0.12 mm.

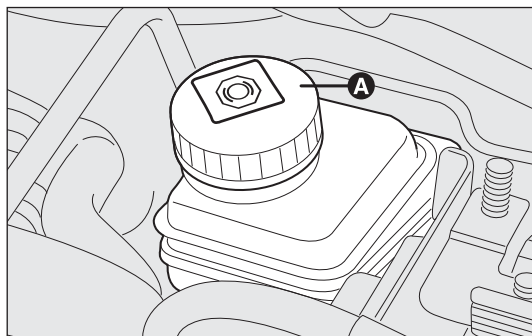


fig. 210

FOU0288m

**IMPORTANT** Brake fluid absorbs moisture. For this reason, if the car is mainly used in areas with a high degree of atmospheric humidity, the fluid should be replaced at more frequent intervals than specified in the “Scheduled Servicing Plan”.



**Prevent brake fluid, which is highly corrosive, from coming into contact with painted parts. Should this occur, immediately wash with water.**

**WARNING**

**Brake fluid is poisonous and highly corrosive. In the event of accidental contact, wash the parts immediately with water and mild soap, then rinse with plenty of water. In case of swallowing, immediately call a doctor.**

**WARNING**

**The symbol ☉ on the container indicates a synthetic brake fluid, which is different from a mineral fluid. Using a mineral-type fluid will damage the special rubber seals of the braking system beyond repair.**




### WARNING

**Brake fluid is poisonous and highly corrosive. In the event of accidental contact, wash the parts immediately with water and mild soap, then rinse with plenty of water. In case of swallowing, immediately call a doctor.**



### WARNING

**The symbol  on the container indicates a synthetic brake fluid, which is different from a mineral fluid. Using a mineral-type fluid will damage the special rubber seals of the braking system beyond repair.**

## AIR FILTER

Have the air filter replaced by a Fiat Dealership.

## POLLEN FILTER

Have the pollen filter replaced by a Fiat Dealership.

## BATTERY

The battery is of the “limited maintenance” type: under normal conditions of use, the electrolyte does not need topping up with distilled water.

### CHECKING THE CHARGE AND THE ELECTROLYTE LEVEL

Inspection operations must be carried out only by specialised personnel, following the prescriptions contained in this Owner Handbook. Any top-up operations must be carried out only by specialised personnel at a Fiat Dealership.



### WARNING

**The battery fluid is poisonous and corrosive. Avoid contact with the skin and eyes. Keep naked flames or possible sources of sparks away from the battery: risk of explosion or fire.**



### WARNING

**Using the battery when the fluid is too low can damage it irreparably and generate a risk of explosion.**

KNOWING  
YOUR  
VEHICLE

SAFETY

STARTING  
AND DRIVING

WARNING LIGHTS  
AND MESSAGES

IN AN  
EMERGENCY

SERVICING  
AND CARE

TECHNICAL  
SPECIFICATIONS

CONTENTS

## REPLACING THE BATTERY

If required, replace the battery with an original spare part with the same specifications.

If a battery with different specifications is fitted, the service intervals given in the “Scheduled Servicing Plan” will no longer be valid.

For battery maintenance, you should therefore refer to the instructions provided by the battery manufacturer.



***Incorrect assembly of electric and electronic devices may cause severe damage to your car. Go to a Fiat Dealership if you want to install accessories (alarms, mobile phone, etc.): they will suggest the most suitable devices and advise you if a higher capacity battery needs to be installed.***



***Batteries contain substances that are very harmful to the environment. It is advisable to have the battery changed by a Fiat Dealership, where it will be disposed of properly and in accordance with the law.***



### WARNING

***If the vehicle must remain unused for a long time at very low temperatures, remove the battery and take it to a warm place to avoid freezing.***



### WARNING

***If you have to perform any operation on the battery or near it, always protect your eyes with special goggles.***

## USEFUL ADVICE FOR EXTENDING THE LIFE OF YOUR BATTERY

To avoid draining your battery and make it last longer, follow these instructions closely:

- when you park the car, ensure that the doors, boot and bonnet are closed properly to prevent the ceiling courtesy lights from staying on;
- turn off the ceiling lights, although the car does have an automatic system for switching off internal lights;
- do not leave devices (e.g. sound system, hazard lights, etc.) switched on for a long time when the engine is not running;
- before performing any operation on the electrical system, disconnect the negative battery cable;
- make sure battery terminals are fully tightened.

**IMPORTANT** If the battery remains with the charge below 50% for a long time it becomes damaged through sulphation and its starting capacity is reduced.

The battery will also be more at risk of freezing (this can happen as early as  $-10^{\circ}\text{C}$ ). Refer to “Car inactivity” in “Starting and driving” if the car is left parked for a long time.

If, after buying the car, you want to install electrical devices that require a permanent electric supply (alarm, etc.) or devices that use a lot of electricity, contact a Fiat Dealership. Their qualified personnel, in addition to suggesting the most suitable devices from the Lineaccessori Fiat range, will evaluate the overall electricity consumption, checking whether the car’s electrical system is capable of withstanding the load required, or whether it should be integrated with a more powerful battery.

Since these devices continue to consume energy even when the engine is switched off, they gradually run down the battery.

## WHEELS AND TYRES

Check the pressure of each tyre, including the spare, every two weeks and before long journeys. The pressure should be checked with the tyre rested and cold.

It is normal for the pressure to increase when the car is used; for the correct tyre inflation pressure, see “Wheels” in the “Technical specifications” section.

Incorrect pressure causes abnormal tyre wear fig. 211:

- A normal pressure: tread evenly worn.
- B low pressure: tread particularly worn at the edges.
- C high pressure: tread particularly worn in the centre.

The tyres must be replaced when the tread is less than 1.6 mm thick. In all cases, follow the laws in force in the country where you are driving.

### IMPORTANT NOTES

- Where possible, avoid braking suddenly, wheel-spinning and crashing into kerbs, potholes or other obstacles. Long distances on uneven roads can damage the tyres;

KNOWING  
YOUR  
VEHICLE

SAFETY

STARTING  
AND DRIVING

WARNING LIGHTS  
AND MESSAGES

IN AN  
EMERGENCY

**SERVICING  
AND CARE**

TECHNICAL  
SPECIFICATIONS

CONTENTS

- check the tyres regularly for cuts on the sides, swelling or irregular tread wear. Go to a Fiat Dealership if required;
- avoid overloading the car when travelling: this may cause serious damage to the wheels and tyres;
- if a tyre is punctured, stop the vehicle immediately and change it to avoid damage to the tyre, the rim, and the suspension and steering systems;
- a tyre will age even if it is not used much. Cracks in the tread and on the sidewalls are a sign of ageing. In any event, have the tyres checked by specialised personnel if they have been fitted for longer than 6 years. Remember to check the spare wheel very carefully;
- in case of replacement, always fit new tyres, avoiding those with an unknown origin;
- if a tyre is replaced, you should also change the inflation valve;
- to allow even wear between the front and rear tyres, it is advisable to switch them every 10-15 thousand kilometres, keeping them on the same side of the car so as not to reverse the direction of rotation.

**WARNING**

**Remember that the car's road holding depends on correct tyre pressures**

**WARNING**

**If the pressure is too low, the tyre will overheat and could be seriously damaged.**

**WARNING**

**Avoid switching the tyres from the right side of the vehicle to the left side and vice versa.**

**Do not re-spray alloy wheel rims at temperatures higher than 150°C. The mechanical characteristics of the wheels may be compromised.**

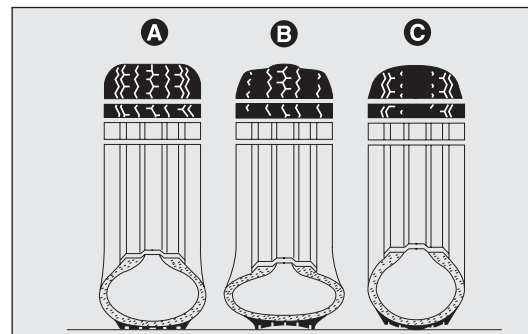


fig. 211

FOU0289m

## RUBBER TUBES

As far as the brake system and fuel rubber hoses are concerned, stick closely to the “Scheduled Servicing Plan” in this section.

Ozone, high temperatures and a prolonged lack of fluid in the system may cause hardening and cracking of the tubes, which could result in leaks.

Careful inspections are therefore necessary.

## WINDSCREEN WIPER

### BLADES

Clean the rubber part regularly using special products; TUTELA PROFESSIONAL SC35 is recommended.

Replace the blades if the rubber edge is misshapen or worn. In any event, it is advisable to replace them approximately once a year.

A few simple precautions can reduce the possibility of damage to the blades:

- make sure that the rubber part is not frozen to the windscreen in sub-zero temperatures. Use an antifreeze product to release it if required;
- remove any snow from the glass: in addition to protecting the blades, this prevents the electric motor from overheating;
- do not operate the windscreen wipers on dry glass.



### WARNING

***Driving with worn wiper blades is a serious hazard, because visibility is reduced in bad weather.***

KNOWING  
YOUR  
VEHICLE

SAFETY

STARTING  
AND DRIVING

WARNING LIGHTS  
AND MESSAGES

IN AN  
EMERGENCY

SERVICING  
AND CARE

TECHNICAL  
SPECIFICATIONS

CONTENTS

**Replacing the windscreen wiper blades fig. 212**

How to remove the blade:

- lift the arm **A** off the windscreen;
- turn blade **B** 90° around pin **C**, located at the end of the wiper arm;
- remove the blade from the pin **C**.

How to insert the blade:

- fit pin **C** into the hole located in the middle of the blade **B**;
- refit the arm with the blade on the windscreen.

**Changing the rear window wiper blade fig. 213**

Proceed as follows:

- raise the car **A** and remove the arm from the car, slackening the nut **B** that fastens it to the pivot pin;
- fit the new arm, positioning it correctly, and fully tighten the nut;
- lower the cover.

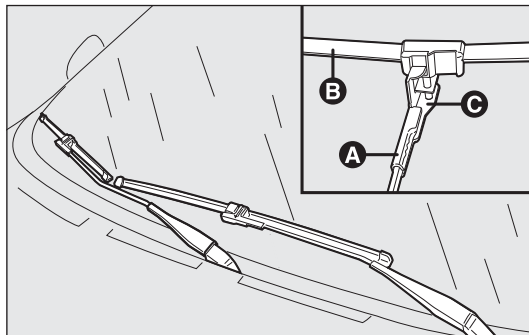


fig. 212

FOU0290m

**SPRAY NOZZLES****Windscreen washer fig. 214**

If the jet is not coming out, firstly check that there is fluid in the reservoir (see “Checking levels” in this section).

Then check that the nozzle holes are not clogged; use a needle to unblock them if necessary.

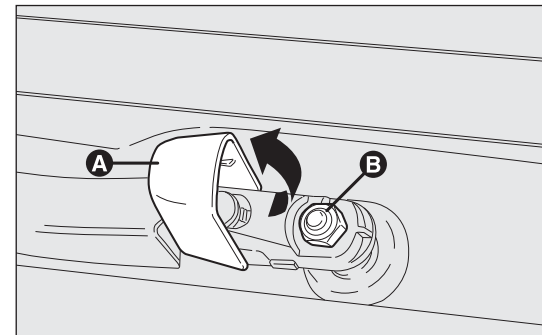


fig. 213

FOU0291m

## Rear window washer fig. 215

The rear window washer jets are fixed.

The nozzle holder is located above the rear window.

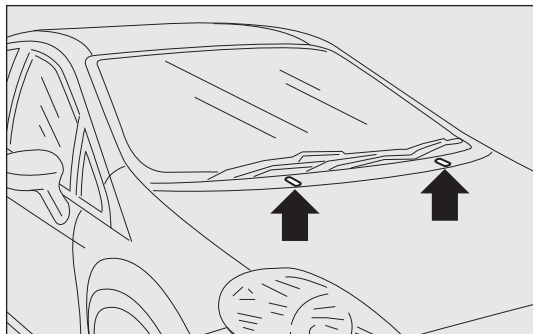


fig. 214

FOU0292m

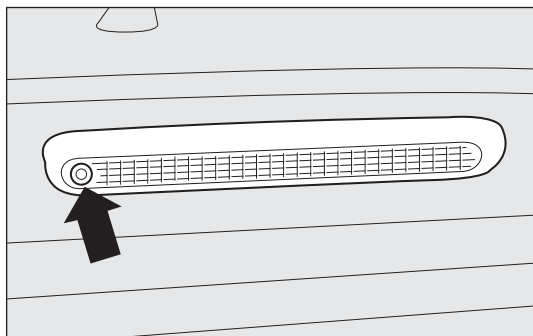


fig. 215

FOU0293m

## BODYWORK

### PROTECTION FROM ATMOSPHERIC AGENTS

The main causes of corrosion are the following:

- atmospheric pollution;
- salty air and humidity (coastal areas or hot and humid climates);
- seasonal environmental conditions.

The abrasive action of wind-borne atmospheric dust and sand, as well as mud and gravel raised by other cars is also not to be underestimated.

Fiat used the best manufacturing technologies on your car to effectively protect the bodywork against corrosion.

These are the most important:

- painting products and systems which give the car particular resistance to corrosion and abrasion;
- use of galvanised (or pre-treated) steel sheets with high resistance to corrosion;
- spraying the underbody, engine compartment, wheel-house internal parts and other elements with highly protective wax-based products;
- spraying protective plastic materials in the most exposed areas: underdoor, inner mudguard parts, edges, etc.;
- using “open” boxed sections to prevent condensation and pockets of moisture from triggering rust inside.

KNOWING  
YOUR  
VEHICLE

SAFETY

STARTING  
AND DRIVING

WARNING LIGHTS  
AND MESSAGES

IN AN  
EMERGENCY

SERVICING  
AND CARE

TECHNICAL  
SPECIFICATIONS

CONTENTS



## VEHICLE BODY AND UNDERBODY WARRANTY

Your car is covered by warranty against perforation, due to rust, of any original element of the structure or bodywork.

For the general terms of this warranty, refer to your Warranty Booklet.

## ADVICE FOR PRESERVING THE BODYWORK

### Paint

Paintwork does not only serve an aesthetic purpose, but also protects the underlying sheet metal.

Touch up abrasions and scratches immediately to prevent the formation of rust. Use only original paint products for touch-ups (see “Bodywork paint identification plate” in the “Technical specifications” section).

Normal care for paintwork consists of washing the car; how often depends on the conditions and environment where the car is used. For example, it is advisable to wash the car more often in areas with high atmospheric pollution or if you are travelling on gritted roads.

To wash the car properly, proceed as follows:

- if taking your car through an automatic car wash, remove the aerial from the roof;
- wash the body using a low-pressure jet of water;
- use a sponge to wipe a slightly soapy solution over the bodywork, frequently rinsing the sponge;

- rinse with plenty of water and dry with a jet of air or a chamois leather.

Dry the less visible parts particularly carefully, such as the door frames, bonnet and the headlight frames, where water may stagnate more easily. It is a good idea to leave the car in the open for a while after washing it to give time for the water to evaporate.

Do not wash the car after it has been left in the sun or with the bonnet hot: this may alter the shine of the paintwork.

Exterior plastic parts must be cleaned in the same way as the rest of the car.

Where possible, do not park under trees; the resinous substances that fall off many species give the paint a dull appearance and increase the possibility of triggering rust processes.

**IMPORTANT** Bird droppings should be washed off immediately and thoroughly as the acid they contain is particularly aggressive.



**Detergents cause water pollution. The vehicle should be washed only in areas equipped for collecting and purifying the liquids used in the washing process.**

## Windows

Use specific detergents to clean the windows.

Also use clean cloths to avoid scratching the glass or altering the transparency.

**IMPORTANT** Wipe the rear window gently with a cloth in the direction of the filaments to avoid damaging the heating device.

## Engine compartment

Wash the engine compartment thoroughly at the end of every winter. Be careful not to direct the jet of water onto electronic control units. Adequately protect the upper air vents to prevent damage to the windscreen wiper motor. Have this operation performed at a specialised workshop.

**IMPORTANT** The washing should take place with the engine cold and the ignition key in the STOP position. After the wash, make sure that the various protective devices (e.g. rubber caps and guards) have not been removed or damaged.

## Front headlights

**IMPORTANT** Never use aromatic substances (e.g. petrol) or ketenes (e.g. acetone) for cleaning the plastic lenses of the front headlights.

## INTERIOR

Check regularly that water is not trapped under the mats (due to drops from shoes, umbrellas, etc.), as this could cause the sheet metal to rust.



### WARNING

**Never use flammable products, such as petroleum ether or modified petrol, to clean inside the car. The electrostatic charges which are generated by rubbing during cleaning may cause a fire.**



### WARNING

**Do not keep aerosol cans in the vehicle: these could explode. Aerosol cans must not be exposed to temperatures exceeding 50°C. When the vehicle is exposed to sunlight, the temperature inside can greatly exceed this value.**

KNOWING  
YOUR  
VEHICLE

SAFETY

STARTING  
AND DRIVING

WARNING LIGHTS  
AND MESSAGES

IN AN  
EMERGENCY

SERVICING  
AND CARE

TECHNICAL  
SPECIFICATIONS

CONTENTS

## SEATS AND FABRIC PARTS

Remove dust with a soft brush or a vacuum cleaner. It is advisable to use a damp brush on velvet upholstery.

Wipe the seats with a sponge soaked in a solution of mild detergent and water.



***The fabric upholstery of your car is designed to withstand normal wear and tear for a long time. Some precautions are needed though. Avoid prolonged and/or excessive rubbing against clothing accessories such as metal buckles and Velcro strips which, by applying a high pressure on the fabric in a small area, could cause some threads to break, thereby damaging the upholstery.***

## PLASTIC PARTS

It is advisable to clean interior plastic parts with a damp cloth and a solution of water and non-abrasive mild soap. To remove grease and tough stains, use products designed specifically for cleaning plastics. These have no solvents and have been designed so that they do not alter the appearance and colour of the components.

**IMPORTANT** Never use spirits or petroleum to clean the instrument panel.

## REAL LEATHER STEERING WHEEL/GEAR LEVER KNOB

These components must be cleaned with mild soap and water only.

Never use spirits and/or alcohol-based products.

Before using off-the-shelf products designed for cleaning vehicle interiors, make sure that they do not contain spirits and/or alcohol-based substances.

If window cleaner accidentally drips onto the steering wheel or gear lever knob, wipe away immediately and then wash the affected area with mild soap and water.

**IMPORTANT** When arranging a steering wheel locking device, be careful not to damage the leather upholstery.

# TECHNICAL SPECIFICATIONS

## IDENTIFICATION DATA

We recommend taking note of the identification codes. The following identification codes are printed and shown on the plates:

- Vehicle identification number (VIN) plate.
- Chassis marking.
- Bodywork paint identification plate.
- Engine marking.

### VIN PLATE fig. 216

The plate can be found on the left side of the boot floor and it bears the following identification data:

- B** Type-approval number.
- C** Vehicle type identification code.
- D** Chassis manufacturing serial number.
- E** Maximum authorised weight of vehicle fully laden.
- F** Maximum authorised weight of vehicle fully laden plus trailer.
- G** Maximum authorised weight on front axle.

- H** Maximum authorised weight on rear axle.
- I** Engine type.
- L** Bodywork version code.
- M** Number for spare parts.
- N** Correct value of smoke coefficient (for diesel engines).

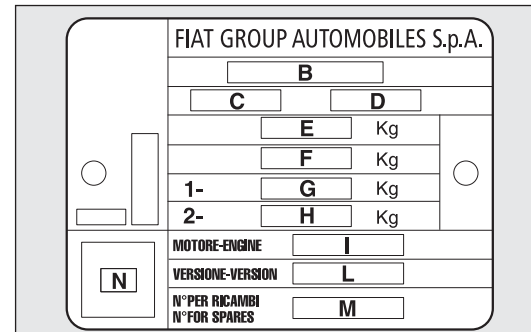


fig. 216

FOU0294m

KNOWING  
YOUR  
VEHICLE

SAFETY

STARTING  
AND DRIVING

WARNING LIGHTS  
AND MESSAGES

IN AN  
EMERGENCY

SERVICING  
AND CARE

TECHNICAL  
SPECIFICATIONS

CONTENTS

## BODYWORK PAINT IDENTIFICATION PLATE fig. 217

This can be found on the external rear door pillar (left-hand side) and it bears the following information:

- A Paint manufacturer.
- B Colour name.
- C Fiat colour code.
- D Re-spray and touch-up colour code.

## CHASSIS MARKING fig. 218

This is printed on the passenger compartment floor, near the right front seat.

- vehicle type (ZFA 199000);
- chassis serial number.

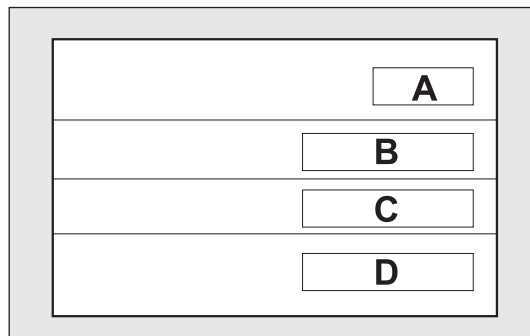


fig. 217

FOU0295m

## ENGINE MARKING

This is printed onto the cylinder block and shows the type and production serial number.

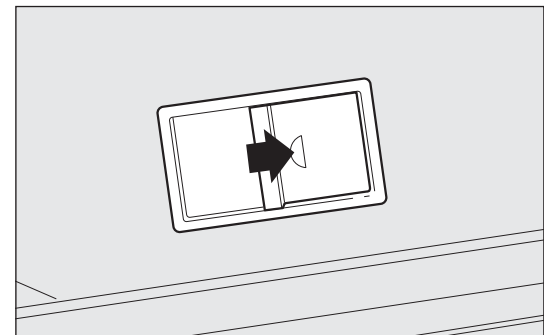


fig. 218

FOU0296m

# ENGINE CODES – BODYWORK VERSIONS

Version	Type code engine	Bodywork version code	
		3 doors / 5 seats	5 doors / 5 seats
<b>1.2 (Euro 4)</b>	199A4000	199AXA1A 00H	199BXA1A 01E
<b>1.2 (Euro 5)</b>	169A4000	199AXZ1A 50C (*)	199BXZ1A 51C (*)
<b>1.2 (ECO)</b>	169A4000	199AXZ1A 50F (*)	199BXZ1A 51F (*)
<b>1.4 (Euro 4)</b>	350A1000	199AXB1A 02S 199AXB1A 02AN (**)	199BXB1A 03S 199BXB1A 03AN (**)
<b>1.4 (Euro 4) (**)</b>	199A7000	199AXH1A 19G	199BXH1A 20G
<b>1.4 (Euro 5)</b>	350A1000	199AXB1A 02Y (*)	199BXB1A 03Y (*)
<b>1.4 (Euro 5) (**)</b>	199A7000	199AXH1A 19L (*)	199BXH1A 20L (*)
<b>1.4 Multi Air</b>	955A6000	199AXV1B 43 (*)	199BXV1B 44 (*)
<b>1.4 Turbo Multi Air</b>	955A2000	199AXW1A 45 (*) 199AXW1A 45C (*) (Δ)	199BXW1A 46 (*) 199BXW1A 46C (*) (Δ)
<b>1.3 Multijet 70HP (Euro 4) (**)</b>	199B2000	199AXP1A 29G	199BXP1A 30G
<b>1.3 Multijet 75HP (Euro 4)</b>	199A2000	199AXC1A 04H 199AXC1A 04M (○)	199BXC1A 05L 199BXC1A 05N (○)
<b>1.3 Multijet 75HP ECO (Euro 5 with DPF)</b>	199A9000	199AXT1A 37E	199BXT1A 38E
<b>1.3 Multijet 75HP (Euro 5 with DPF)</b>	199A9000	199AXT1A 37 (*)	199BXT1A 38 (*)
<b>1.3 Multijet 85HP (Euro 4 without DPF) (**)</b>	223A9000	199AXR1B 31E (□) 199AXR1A 33C	199BXR1B 32E (□) 199BXR1A 34C
<b>1.3 Multijet 85HP ECO (Euro 5 with DPF) (*)</b>	199B4000	199AXY1A 48	199BXY1A 49
<b>1.3 Multijet 90HP (Euro 4 without DPF)</b>	199A3000	199AXD1B 06L (□) 199AXD1A 11E	199BXD1B 07L (□) 199BXD1A 12E
<b>1.3 Multijet 95HP (Euro 5)</b>	199B1000	199AXU1A 39 (*)	199BXU1A 40 (*)
<b>1.6 Multijet (Euro 5 with DPF)</b>	955A3000	199AXS1B 35L	199BXS1B 36L

(\*) Start&Stop version

(Δ) Sport versions with specific tyres

(\*\*) For versions/markets where provided

(○) ECO 109 g CO<sub>2</sub> versions

(□) Version with six-speed gearbox

KNOWING  
YOUR  
VEHICLE

SAFETY

STARTING  
AND DRIVING

WARNING LIGHTS  
AND MESSAGES

IN AN  
EMERGENCY

SERVICING  
AND CARE

TECHNICAL  
SPECIFICATIONS

CONTENTS

KNOWING  
YOUR  
VEHICLE**ENGINE****GENERAL INFORMATION**

		<b>1.2 (Euro 4)</b>	<b>1.2 (Euro 5)</b>	<b>1.4</b>	<b>1.4 Multi Air</b>	<b>1.4 Turbo Multi Air</b>	
SAFETY	Type code	199A4000	169A4000	350A1000 199A7000 (*)	955A6000	955A2000	
	Cycle	Otto	Otto	Otto	Otto	Otto	
STARTING AND DRIVING	Number and layout of cylinders	4 in line	4 in line	4 in line	4 in line	4 in line	
	Piston bore and stroke	mm	70.8 x 78.86	70.8 x 78.86	72 x 84	72 x 84	72 x 84
WARNING LIGHTS AND MESSAGES	Total capacity	cm <sup>3</sup>	1242	1242	1368	1368	1368
	Compression ratio		11.1 : 1	11.1 : 1	11.1 : 1	10.8 : 1	9.8 : 1
IN AN EMERGENCY	Max. power (EEC)	kW	48	51	57/55 (*)	77	99
		HP	65	69	77/75 (*)	105	135
	corresponding speed	rpm	5500	5500	6000	6500	5000
SERVICING AND CARE	Max. torque (EEC)	Nm	102	102	115	130	206
		kgm	10.4	10.4	11.7	13.2	21
	corresponding speed	rpm	3000	3000	3250	4000	1750
TECHNICAL SPECIFICATIONS	Spark plugs		NGK ZKR7A-10	NGK ZKR7A-10	NGK ZKR7A-10	NGK DCPR7E-N10	NGK IKR9F8
	Fuel		Unleaded petrol 95 RON (EN228 Specification)				

(\*) For versions/markets where provided

CONTENTS

<b>GENERAL INFORMATION</b>		<b>1.3 Multijet 75HP</b>	<b>1.3 Multijet 85HP ECO</b>	<b>1.3 Multijet 90HP</b>	<b>1.3 Multijet 95HP</b>	<b>1.6 Multijet 120HP</b>
Type code		199A9000 199B2000 (*) (Δ)	199B4000	199A3000 223A9000 (*) (Δ)	199B1000	955A3000
Cycle		Diesel	Diesel	Diesel	Diesel	Diesel
Number and layout of cylinders		4 in line	4 in line	4 in line	4 in line	4 in line
Piston bore and stroke	mm	69.6 x 82	69.6 x 82	69.6 x 82	69.6 x 82	79.5 x 80.5
Total capacity	cm <sup>3</sup>	1248	1248	1248	1248	1598
Compression ratio		16.8 : 1/17.6 : 1 (Δ)	16.8 : 1	17.6 : 1	16.8 : 1	16.5 : 1
Max power (EEC)	kW	55/51 (*)	62	66/62 (*)	70	88
	HP	75/70 (*)	85	90/85 (*)	95	120
corresponding speed	rpm	4000	3500	4000	4000	3750
Max torque (EEC)	Nm	190	200	200	200	320
	kgm	19.4	20.4	20.4	20.4	32.6
corresponding speed	rpm	1750 (Δ)/1500	1500	1750	1500	1750
Fuel		Diesel for motor vehicles (EN590 Specification)				

(\*) For versions/markets where provided

(Δ) Euro 4

KNOWING  
YOUR  
VEHICLE

SAFETY

STARTING  
AND DRIVING

WARNING LIGHTS  
AND MESSAGES

IN AN  
EMERGENCY

SERVICING  
AND CARE

**TECHNICAL  
SPECIFICATIONS**

CONTENTS



KNOWING  
YOUR  
VEHICLE

## FUEL SUPPLY

SAFETY

	1.2 – 1.4 – 1.4 Multi Air	1.4 Turbo Multi Air	1.3 Multijet – 1.6 Multijet
Fuel supply	Multipoint electronic injection	Electronically controlled phased sequential multipoint electronic injection with turbo and intercooler	Common Rail Multijet direct injection

STARTING  
AND DRIVING



### WARNING

**Modifications or repairs to the fuel supply system that are not carried out properly or do not take the system's technical specifications into account can cause malfunctions leading to the risk of fire.**

WARNING LIGHTS  
AND MESSAGES

IN AN  
EMERGENCY

## TRANSMISSION

SERVICING  
AND CARE

	1.2 - 1.4 - 1.4 Turbo Multi Air - 1.3 Multijet 75HP 1.3 Multijet 85HP ECO - 1.3 Multijet 95HP	1.3 Multijet 90HP	1.4 Multi Air 1.6 Multijet
Gearbox	Five forward gears plus reverse with synchronisers for selecting forward gears	Five or six forward gears plus reverse with synchronisers for selecting forward gears	Six forward gears plus reverse with synchronizers for selecting forward gears
Clutch	Self-adjusting with no free travel		
Traction	Front		

TECHNICAL  
SPECIFICATIONS

CONTENTS

## BRAKES

Service brakes:	front	self-ventilated discs
	rear	drum or disc (for versions/markets where provided)
Parking brake		controlled by hand lever, acting on rear brakes

**IMPORTANT** Water, ice and salt on the roads may deposit on the brake discs, reducing braking efficiency the first time the brakes are applied.

## SUSPENSIONS

	1.2 – 1.4	1.4 Multi Air – 1.4 Turbo Multi Air – 1.3 Multijet – 1.6 Multijet
Front	Independent wheel McPherson-type	Independent wheel McPherson-type with anti-roll bar
Rear	Torsion beam with interconnected wheels	

## STEERING SYSTEM

Type	rack and pinion with electric power steering	
Turning circle (kerb to kerb)	m	10.9

KNOWING  
YOUR  
VEHICLE

SAFETY

STARTING  
AND DRIVING

WARNING LIGHTS  
AND MESSAGES

IN AN  
EMERGENCY

SERVICING  
AND CARE

TECHNICAL  
SPECIFICATIONS

CONTENTS

## WHEELS

### RIMS AND TYRES

Pressed steel or alloy rims. Tubeless radial carcass tyres. All approved tyres are listed in the Log Book.

**IMPORTANT** In the event of discrepancies between the information provided in this Owner Handbook and the Log Book, the latter takes precedence.

To ensure driving safety, ensure that tyres of the same make and type are fitted on all wheels.

**IMPORTANT** Do not use inner tubes with tubeless tyres.

### SPARE WHEEL

Pressed steel rim  
Tubeless tyre.

### WHEEL GEOMETRY

Total front toe in:  $+ 1 \pm 1$  mm

Total rear toe in:  $+ 1.7 \pm 2$  mm

The values refer to the car in running order.

## CORRECT READING OF THE TYRE

**Example: 175/65 R 15 84T**

175 = Nominal width

(S, distance in mm between sidewalls).

65 = Height/width ratio (H/S) as a percentage.

R = Radial tyre.

15 = Rim diameter in inches ( $\emptyset$ ).

84 = Load index.

T = Maximum speed index.

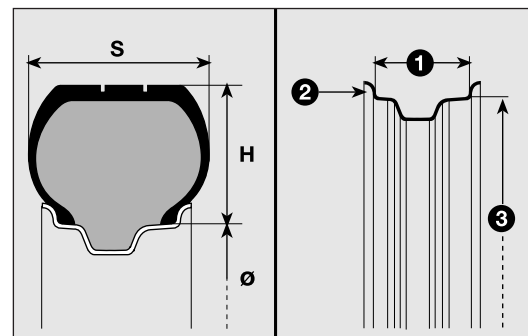


fig. 219

F0U0193m

## Maximum speed index

**Q** = up to 160 km/h.

**R** = up to 170 km/h.

**S** = up to 180 km/h.

**T** = up to 190 km/h.

**U** = up to 200 km/h.

**H** = up to 210 km/h.

**V** = up to 240 km/h.

## Maximum speed index for snow tyres

**QM + S** = up to 160 km/h.

**TM + S** = up to 190 km/h.

**HM + S** = up to 210 km/h.

## Load index

**70** = 335 kg

**71** = 345 kg

**72** = 355 kg

**73** = 365 kg

**74** = 375 kg

**75** = 387 kg

**76** = 400 kg

**77** = 412 kg

**78** = 425 kg

**79** = 437 kg

**80** = 450 kg

**81** = 462 kg

**82** = 475 kg

**83** = 487 kg

**84** = 500 kg

**85** = 515 kg

**86** = 530 kg

**87** = 545 kg

**88** = 560 kg

**89** = 580 kg

**90** = 600 kg

**91** = 615 kg

## CORRECT READING OF THE WHEEL RIM

**Example: 6J x 15 ET43**

**6** = rim width in inches 1.

**J** = rim drop centre outline (side projection where the tyre bead rests) 2.

**15** = rim nominal diameter in inches (corresponds to diameter of the tyre to be fitted) 3 = Ø.

**ET43** = wheel camber (distance between the disc/rim support plane and the wheel rim centre line).

## TYRES RIM PROTECTOR fig. 220



### WARNING

*If after-sale tyres with rim protector are used (fig. 220) and the car has integral cups fixed (by springs) to the sheet wheel, DO NOT fit wheel cups. The use of unsuitable tyres and wheel cups could cause a sudden pressure loss of the tyre.*



fig. 220

F0U0549m

KNOWING  
YOUR  
VEHICLE

SAFETY

STARTING  
AND DRIVING

WARNING LIGHTS  
AND MESSAGES

IN AN  
EMERGENCY

SERVICING  
AND CARE

TECHNICAL  
SPECIFICATIONS

CONTENTS

	Version	Rims (*)	Tyres		Spare wheel (●)	
			provided	snow	Rim (*)	Tyre
KNOWING YOUR VEHICLE	<b>1.2</b>	6J X 15" - ET 43	175/65 R15 84T	175/65 R15 84Q (M+S)	6J X 15" - ET 43	175/65 R15 84T
		6J X 15" - ET 43 (Δ)	185/65 R15 88T	185/65 R15 88Q (M+S)		185/65 R15 88T
SAFETY	<b>1.2 ECO</b>	6J X 16" - ET 45 (Δ)	195/55 R16 87H (**)	195/55 R16 87Q (M+S)	6J X 15" - ET 43	185/65 R15 88T
		6J X 15" - ET 43 (Δ)	185/65 R15 88T	185/65 R15 88Q (M+S)		
STARTING AND DRIVING	<b>1.4</b> <b>1.3 Multijet 75HP</b>	6J X 15" - ET 43	175/65 R15 84T	175/65 R15 84Q (M+S)	6J X 15" - ET 43	175/65 R15 84T
		6J X 15" - ET 43 (Δ)	185/65 R15 88T	185/65 R15 88Q (M+S)		185/65 R15 88T
WARNING LIGHTS AND MESSAGES	<b>1.3 Multijet 75HP ECO</b> <b>1.3 Multijet 85HP ECO</b>	6J X 16" - ET 45 (Δ)	195/55 R16 87H	195/55 R16 87Q (M+S)	6J X 15" - ET 43	185/65 R15 88T
		6.5J X 17" - ET 46 (Δ)	205/45 R17 88V	205/45 R17 88Q (M+S)		
IN AN EMERGENCY	<b>1.4 Turbo Multi Air</b>	6J X 15" - ET 43	185/65 R15 88H (○)	185/65 R15 88Q (M+S)	6J X 15" - ET 43	185/65 R15 88T
		6J X 15" - ET 43 (Δ)	185/65 R15 88V (□)	185/65 R15 88Q (M+S)		
SERVICING AND CARE	<b>1.4 Multi Air</b> <b>1.3 Multijet 90HP</b> <b>1.3 Multijet 95HP</b>	6J X 16" - ET 45 (Δ)	195/55 R16 87H (○)	195/55 R16 87Q (M+S)	6J X 15" - ET 43	185/65 R15 88H
		6J X 16" - ET 45 (Δ)	195/55 R16 87V (□)	195/55 R16 87Q (M+S)		
TECHNICAL SPECIFICATIONS	<b>1.6 Multijet 120HP</b>	6.5J X 17" - ET 46 (Δ)	205/45 R17 88V	205/45 R17 88Q (M+S)	6J X 15" - ET 43	185/65 R15 88H
		6J X 15" - ET 43 (Δ)	185/65 R15 88H	185/65 R15 88Q (M+S)		
CONTENTS		6J X 16" - ET 45 (Δ)	195/55 R16 87H	195/55 R16 87Q (M+S)	6J X 15" - ET 43	185/65 R15 88H
		6.5J X 17" - ET 46 (Δ)	205/45 R17 88V	205/45 R17 88Q (M+S)		

(\*) 100 mm wheel stud distance and M12 x 1.5 studs; use only wheels specified for this car.

(●) Depending on the configuration, the spare wheel has a 175/65 R15 84T tyre and a 6Jx15" - ET43 rim. In this case the 175/65 R15 84T tyre has the same specifications as the spare wheel: the information in "Changing a tyre" therefore refers to the 175/65 R15 84T tyre.

(Δ) Alloy rim (○) Not available for SPORT configuration (\*\*\*) Racing version (□) 1.4 Turbo Multi Air SPORT configuration

## COLD TYRE PRESSURE (bar)

Versions	1.2 – 1.4		1.4 Multi Air		1.4 Turbo Multi Air		1.3 Multijet 75HP 1.3 Multijet 85HP		1.3 Multijet 90HP 1.3 Multijet 95HP		1.6 Multijet	
	Front	Rear	Front	Rear	Front	Rear	Front	Rear	Front	Rear	Front	Rear
175/65 R15 84T Medium load Full load	2.2 2.2	2.1 2.2	– –	– –	– –	– –	2.4 2.5	2.1 2.2	– –	– –	– –	– –
185/65 R15 88T Medium load Full load	2.2 2.2	2.0 2.2	– –	– –	– –	– –	2.3 2.3	2.1 2.3	2.3 2.3	2.1 2.3	– –	– –
185/65 R15 88H Medium load Full load	– –	– –	2.2 2.2	2.0 2.2	2.2 2.2	2.0 2.2	– –	– –	– –	– –	2.4 2.6	2.2 2.2
185/65 R15 88V Medium load Full load	– –	– –	– –	– –	2.2 (□) 2.2 (□)	2.0 (□) 2.2 (□)	– –	– –	– –	– –	– –	– –
195/55 R16 87H Medium load Full load	2.2 2.2	2.0 2.2	2.2 2.2	2.0 2.2	2.2 2.2	2.0 2.2	2.3 2.4	2.1 2.4	2.3 2.4	2.1 2.4	2.4 2.6	2.2 2.4
195/55 R16 87V Medium load Full load	– –	– –	– –	– –	2.2 (□) 2.2 (□)	2.0 (□) 2.2 (□)	– –	– –	– –	– –	– –	– –
205/45 R17 88V Medium load Full load	2.4 (Δ) 2.4 (Δ)	2.2 (Δ) 2.4 (Δ)	2.4 2.4	2.2 2.4	2.4 2.4	2.2 2.4	2.4 2.5	2.2 2.4	2.4 2.5	2.2 2.4	2.6 2.8	2.3 2.5

(□) SPORT configuration

(Δ) Tyre provided only for 1.4 engine

Add +0.3 bar to the prescribed inflation pressure when the tyres are warm. However, recheck that the value is correct with the tyre cold. With snow tyres, add +0.2 bar to the pressure recommended for standard tyres. When running at speeds higher than 160 km/h, inflate tyres to full-load pressures. If there is a TPMS system, add +0.1 bar to the prescribed pressure. 175/65 R15 84T tyres do not come with a TPMS system.

KNOWING  
YOUR  
VEHICLE

SAFETY

STARTING  
AND DRIVING

WARNING LIGHTS  
AND MESSAGES

IN AN  
EMERGENCY

SERVICING  
AND CARE

TECHNICAL  
SPECIFICATIONS

CONTENTS

KNOWING  
YOUR  
VEHICLE

## DIMENSIONS

Dimensions are expressed in mm and refer to the vehicle equipped with its original tyres.

SAFETY

Height is measured with the vehicle unladen.

Boot capacity

STARTING  
AND DRIVING

Capacity with vehicle unladen  
(VDA standards) ..... 275 dm<sup>3</sup>

Capacity with rear seat and  
backrest folded over ..... 1,030 dm<sup>3</sup>

WARNING LIGHTS  
AND MESSAGES

IN AN  
EMERGENCY

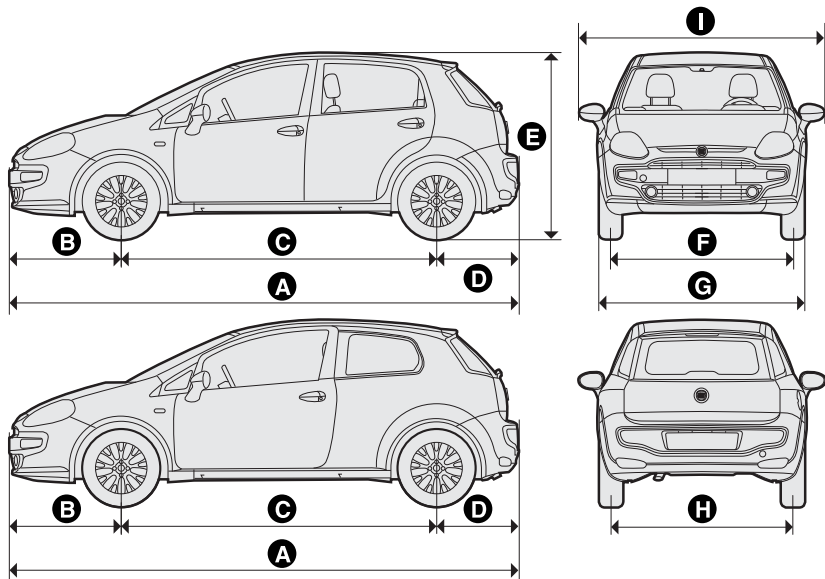


fig. 221

FOU0341m

SERVICING  
AND CARE

Version	A	B	C	D	E	F	G	H	I
3 – 5 doors									
1.2 – 1.4									
1.4 MultiAir									
1.4 Turbo Multi Air	4065	890	2510	665	1490	1473	1687	1466	1967
1.3 Multijet									
1.6 Multijet									

IMPORTANT Measurements may vary according to rim/tyre size.

TECHNICAL  
SPECIFICATIONS

CONTENTS

## PERFORMANCES

Maximum speeds that can be reached after initial car use, in km/h.

### PETROL VERSIONS

1.2 (Euro 4)	1.2 (Euro 5) - 1.2 ECO	1.4	1.4 Multi Air	1.4 Turbo Multi Air
155	156	165	185	200 205 (*)

(\*) A slight increase in maximum speed is possible with the SPORT version.

### MULTIJET VERSIONS

1.3 Multijet 75HP	1.3 Multijet 85HP ECO	1.3 Multijet 90HP	1.3 Multijet 95HP	1.6 Multijet
165	172	175	178	190

KNOWING  
YOUR  
VEHICLE

SAFETY

STARTING  
AND DRIVING

WARNING LIGHTS  
AND MESSAGES

IN AN  
EMERGENCY

SERVICING  
AND CARE

**TECHNICAL  
SPECIFICATIONS**

CONTENTS



# WEIGHTS

## Petrol versions

### 1.2

### 1.4

### 1.4 Multi Air

## Weights (kg)

3 doors  
5 seats

5 doors  
5 seats

3 doors  
5 seats

5 doors  
5 seats

3 doors  
5 seats

5 doors  
5 seats

Unladen weight  
(with all fluids,  
fuel tank filled to 90%  
and without  
optional equipment):

1015

1030

1025

1040

1060  
1155 (□)

1075  
1170 (□)

Payload (\*)  
including the driver:

560

560

560

560

560

560

Maximum permitted  
loads (\*\*)

– front axle:

850

850

850

850

850

850

– rear axle:

850

850

850

850

850

850

– total:

1575

1590

1585

1600

1715 (□)/1620

1730 (□)/1635

Towable loads:

– braked trailer:

900/500 (Δ)

900/500 (Δ)

1000/700 (●)

1000/700 (●)

1000

1000

– non-braked trailer:

400

400

400

400

400

400

Maximum load on roof:

50

50

50

50

50

50

Maximum load on the  
ball joint (braked trailer):

60

60

60

60

60

60

(\*) If special equipment is fitted (sunroof, tow hitch, etc.) the unladen car weight increases, thus reducing the specified payload with respect to the maximum permitted load.

(\*\*) Loads that must not be exceeded. The driver is responsible for arranging goods in the boot and/or on the load carrying platform within the maximum permitted loads.

(□) 1.4 Turbo Multi Air configuration. (●) For versions/markets where provided. (Δ) ECO versions.

Multijet versions	1.3 Multijet 75HP		1.3 Multijet 85HP ECO 1.3 Multijet 90HP 1.3 Multijet 95HP		1.6 Multijet	
	3 doors 5 seats	5 doors 5 seats	3 doors 5 seats	5 doors 5 seats	3 doors 5 seats	5 doors 5 seats
Weights (kg)						
Unladen weight (with all liquids, fuel tank filled to 90% and without optional equipment):	1090	1105	1130	1145	1190	1205
Payload (*) including the driver:	560	560	560	560	560	560
Maximum permitted loads (**)						
– front axle:	950	950	950	950	1000	1000
– rear axle:	850	850	850	850	850	850
– total:	1650	1665	1690	1705	1750	1765
Towable loads:						
– braked trailer:	1000	1000	1000	1000	1000	1000
– non-braked trailer:	400	400	400	400	400	400
Maximum load on roof:	50	50	50	50	50	50
Maximum load on the ball joint (braked trailer):	60	60	60	60	60	60

(\*) If special equipment is fitted (sunroof, tow hitch, etc.) the unladen car weight increases, thus reducing the specified payload in relation to the maximum permissible loads.

(\*\*) Loads that must not be exceeded. The driver is responsible for arranging the goods in the boot and/or on the load carrying platform within the maximum permitted loads.

KNOWING  
YOUR  
VEHICLE

SAFETY

STARTING  
AND DRIVING

WARNING LIGHTS  
AND MESSAGES

IN AN  
EMERGENCY

SERVICING  
AND CARE

TECHNICAL  
SPECIFICATIONS

CONTENTS

# CAPACITIES

KNOWING YOUR VEHICLE			1.2	1.4	1.4 Turbo	1.3	1.3	1.3	1.6	Recommended fuels and original lubricants
			1.4	Multi Air	Multi Air	Multijet 75HP	Multijet 85HP ECO	Multijet 90HP-95HP	Multijet 120HP	
SAFETY	Fuel tank:	litres	45	45	45	–	–	–	–	Unleaded petrol with no less than 95 R.O.N. (EN228 Specification)
	including a reserve of:	litres	5 ÷ 7	5 ÷ 7	5 ÷ 7	–	–	–	–	
STARTING AND DRIVING	Fuel tank:	litres	–	–	–	45	45	45	45	Diesel for motor vehicles (EN590 Specification)
	including a reserve of:	litres	–	–	–	5 ÷ 7	5 ÷ 7	5 ÷ 7	5 ÷ 7	
WARNING LIGHTS AND MESSAGES	Engine cooling system:	litres	5.3	5.3	6.0	7.4 (E4) 6.7 (E5)	6.7	7.4 (E4) 6.7 (E5)	5.6	50-50 mixture of water and <b>PARAFLU<sup>UP</sup></b> liquid (□)
	Engine sump:	litres	2.4	3.1	3.1	–	–	–	–	<b>SELENIA K P.E.</b>
Engine sump and filter:	litres	2.6	3.4	3.5	–	–	–	–		
IN AN EMERGENCY	Engine sump:	litres	–	–	–	3.0	3.0	3.0	4.3	<b>SELENIA WR P.E.</b>
	Engine sump and filter:	litres	–	–	–	3.2	3.2	3.2	4.6	
SERVICING AND CARE	Gearbox/differential casing:	kg	1.5 (▲)	1.65 (▲)	1.7 (▲)	1.7 (▲)	1.7 (▲)	1.7 (▲) 2.0 (○) (*)	1.7 (●)	<b>TUTELA CAR TECHNYX (▲)</b> <b>TUTELA CAR MATRYX (○)</b> <b>TUTELA TRANSMISSION GEARFORCE (●)</b>
	Hydraulic brake circuit:	kg	0.5	0.5	0.5	0.5	0.5	0.5	0.5	<b>TUTELA TOP 4</b>
TECHNICAL SPECIFICATIONS	Windscreen/rear window washer fluid reservoir:	litres	2.2	2.2	2.2	2.2	2.2	2.2	2.2	Mixture of water and <b>TUTELA PROFESSIONAL SC35</b>
	with headlight washers:	litres	4.5	4.5	4.5	4.5	4.5	4.5	4.5	
CONTENTS	(*) Version with six-speed gearbox									
	(□) For particularly harsh climate conditions, a mixture of 60% <b>PARAFLU<sup>UP</sup></b> and 40% distilled water is recommended.									

# FLUIDS AND LUBRICANTS

## SPECIFICATIONS AND RECOMMENDED PRODUCTS

Use	Quality specifications of fluids and lubricants for correct car operation	Original fluids and lubricants	Replacement interval
Lubricants for petrol engines	SAE 5W-40 ACEA C3 grade synthetic base lubricant. <b>FIAT 9.55535-S2 certification.</b>	<b>SELENIA K P.E.</b> Contractual Technical Reference N° F603.C07	As per the Scheduled Servicing Plan
Lubricants for Diesel engines	SAE 5W-30 grade synthetic base lubricant. <b>FIAT 9.55535-SI certification.</b>	<b>SELENIA WR P.E.</b> Contractual Technical Reference N° F510.D07	As per the Scheduled Servicing Plan

For diesel engines, in the event of an emergency in which the original products are not available, lubricants with at least ACEA C2 performance are acceptable; however, in this case optimum engine performance is not guaranteed and the lubricants should be replaced with recommended products as soon as possible at a Fiat Dealership.

The use of products with characteristics that are not up to ACEA C3 (for petrol engines) and ACEA C2 (for diesel engines) standard could cause engine damage not covered by the warranty.

For petrol versions with Multi Air system, the use of lubricants with features below ACEA C3 and SAE grade other than 5W-40 could cause damage to the engine, not covered by the warranty.

KNOWING YOUR VEHICLE

SAFETY

STARTING AND DRIVING

WARNING LIGHTS AND MESSAGES

IN AN EMERGENCY

SERVICING AND CARE

**TECHNICAL SPECIFICATIONS**

CONTENTS

	Use	Quality specifications of fluids and lubricants for correct car operation	Original fluids and lubricants	Applications
KNOWING YOUR VEHICLE		SAE 75W-85 grade synthetic base lubricant. <b>FIAT 9.55550-MX3 certification</b>	<b>TUTELA CAR TECHNIX</b> Contractual Technical Reference N° F010.B05	Mechanical gearbox and differential (petrol versions and 1.3 Multijet 75HP and 85HP versions)
SAFETY		SAE 75W-85 grade synthetic base lubricant. <b>FIAT 9.55550-MZ1 certification</b>	<b>TUTELA CAR MATRYX</b> Contractual Technical Reference N° F108.F02	Mechanical gearbox and differential (1.3 Multijet 90HP - 95HP)
STARTING AND DRIVING	Lubricants and greases for drive transmission system	SAE 75W grade synthetic lubricant. <b>FIAT 9.55550-MZ6 certification</b>	<b>TUTELA TRANSMISSION GEARFORCE</b> Contractual Technical Reference N° F002.F10	Mechanical gearbox and differential (1.6 Multijet versions)
WARNING LIGHTS AND MESSAGES		Molybdenum disulphide grease, for use at high temperatures. <b>FIAT 9.55580 certification.</b> NL.GI. 1-2 consistency	<b>TUTELA ALL STAR</b> Contractual Technical Reference N° F702.G07	Wheel side constant-velocity joints
		Grease for constant-velocity joints with low friction coefficient. <b>FIAT 9.55580 certification.</b> NL.GI. 0-2 consistency	<b>TUTELA STAR 700</b> Contractual Technical Reference N° F701.C07	Differential side constant-velocity joints (1.6 Multijet versions excluded)
IN AN EMERGENCY		Polyurea-based synthetic grease for high temperatures. <b>FIAT 9.55580 certification.</b> NL.GI. 2 consistency	<b>TUTELA STAR 325</b> Contractual Technical Reference N° F301.D03	Differential side constant-velocity joints (1.6 Multijet versions)
SERVICING AND CARE	Brake liquid	Synthetic fluid FMVSS n° 116 DOT 4, ISO 4925 SAE J1704, CUNA NC 956- 01. <b>FIAT 9.55597 certification</b>	<b>TUTELA TOP 4</b> Contractual Technical Reference N° F001.A93	Hydraulic brakes and hydraulic clutch controls
	Radiator protection	Red protective with antifreeze action, based on inhibited monoethyl glycol with organic formula. Exceeds CUNA NC 956-16, ASTM D 3306 specifications. <b>FIAT 9.55523 certification</b>	<b>PARAFLU<sup>UP</sup> (*)</b> Contractual Technical Reference N° F101.M01	Cooling circuits. Mixture: 50% water and 50% <b>PARAFLU<sup>UP</sup> (□)</b>
TECHNICAL SPECIFICATIONS	Fuel additive	Additive for diesel antifreeze, protecting diesel engines	<b>TUTELA DIESEL ART</b> Contractual Technical Reference N° F601.L06	Mix 25cc per 10 litres of diesel
CONTENTS	Windscreen/rear window washer fluid	Mixture of alcohol, water and surfactants CUNA NC 956-II <b>FIAT 9.55522 certification.</b>	<b>TUTELA PROFESSIONAL SC35</b> Contractual Technical Reference N° F201.D02	To be used diluted or undiluted in windscreen/rear window washer/wiper systems

(\*) IMPORTANT Do not use fluids with other specifications for topping up or mixing.

(□) When the vehicle is used in particularly harsh climate conditions, we recommend using a 60-40 mixture of **PARAFLU<sup>UP</sup>** and distilled water.

## FUEL CONSUMPTION

The fuel consumption figures given in the table below are determined on the basis of the homologation tests set down by specific European Directives. The procedures below are followed for measuring consumption:

- urban cycle: cold starting followed by driving that simulates urban use of the car;
- extra-urban cycle: driving that simulates using the vehicle out of town with frequent acceleration in all gears; the speed varies from 0 to 120 km/h;

combined consumption: this is calculated with a weighting of about 37% urban cycle consumption and about 63% extra-urban consumption.

**IMPORTANT** The type of route, traffic situations, weather conditions, driving style, general state of the car, trim level/equipment/accessories, load, climate control system, roof rack, and other situations that affect how the car moves through the air may lead to different fuel consumption levels than those measured.

### Fuel consumption according to the current european directive (litres / 100 km)

Versions	Urban	Extra-urban	Combined
<b>1.2 (Euro 4)</b>	7.3	4.8	5.7
<b>1.2 (Euro 5)</b>	6.7	4.4	5.2
<b>1.2 (ECO)</b>	6.6	4.3	5.1
<b>1.4 (□)</b>	6.9	4.6	5.4
<b>1.4 (Euro 4)</b>	7.5	5.0	5.9
<b>1.4 (Euro 5)</b>	7.4	4.7	5.7
<b>1.4 Multi Air (Euro 5)</b>	7.4	4.7	5.7
<b>1.4 Turbo Multi Air (Euro 5)</b>	7.3	4.6	5.6
<b>1.3 Multijet 70HP (Euro 4) (□)</b>	4.9	3.4	4.0
<b>1.3 Multijet 75HP (Euro 4)</b>	6.2	3.5	4.5
<b>1.3 Multijet 75HP (Euro 5) (○)</b>	5.1	3.3	4.0
<b>1.3 Multijet 75HP (Euro 5)</b>	5.2	3.5	4.1
<b>1.3 Multijet 75HP (Euro 4) (○)</b>	5.2	3.5	4.1
<b>1.3 Multijet 85HP ECO</b>	4.6	3.0	3.6
<b>1.3 Multijet 90HP (Euro 4)</b>	5.9	3.7	4.5
<b>1.3 Multijet 95HP (Euro 5)</b>	5.3	3.5	4.2
<b>1.6 Multijet 120HP (Euro 5)</b>	5.3	3.8	4.4

(□) For versions/markets where provided      (○) ECO versions

KNOWING  
YOUR  
VEHICLE

SAFETY

STARTING  
AND DRIVING

WARNING LIGHTS  
AND MESSAGES

IN AN  
EMERGENCY

SERVICING  
AND CARE

TECHNICAL  
SPECIFICATIONS

CONTENTS

## CO<sub>2</sub> EMISSIONS

The CO<sub>2</sub> emission figures in the table below refer to combined fuel consumption.

**Version****CO<sub>2</sub> emissions  
according to the current european directive (g/km)**

<b>I.2</b>	135 (Euro 4) / 123 (Euro 5) / 119 (Euro 5) (▲)
<b>I.4</b>	139 (Euro 4) / 132 (Euro 5)
<b>I.4 (□)</b>	129
<b>I.4 Multi Air</b>	133 (Euro 5)
<b>I.4 Turbo Multi Air</b>	129 (Euro 5)
<b>I.3 Multijet 70HP (□)</b>	104 (Euro 4)
<b>I.3 Multijet 75HP</b>	119 (Euro 4) / 109 (Euro 4)(▲) / 108 (Euro 5) / 104 (Euro 5) (▲)
<b>I.3 Multijet 85HP ECO</b>	95
<b>I.3 Multijet 90HP</b>	119 (Euro 4)
<b>I.3 Multijet 95HP</b>	110 (Euro 5)
<b>I.6 Multijet 120HP</b>	114 (Euro 5)

(▲) ECO versions

(□) For versions/markets where provided

## ARRANGEMENTS FOR DEALING WITH THE VEHICLE AT THE END OF ITS LIFE

Fiat has been committed for many years to safeguarding the environment through the constant improvement of its production processes and manufacturing products that are increasingly “eco-compatible”.

To give customers the best possible service in terms of respecting environmental laws and in response to European Directive 2000/53/EC governing vehicles at the end of their life, Fiat is offering its customers the opportunity of handing over their vehicle\* at the end of its life without incurring any additional costs.

The European Directive sets out that when the vehicle is handed over the last keeper or owner should not incur any expenses as a result of it having a zero or negative market value.

In all European Union countries, until 1st January 2007, only vehicles registered after 1st July 2002 were collected free of charge, while since 2007 collection has been free of charge irrespective of the year of registration as long as the vehicle contains its basic components (in particular, the engine and bodywork) and has no additional waste.

To hand your vehicle over at the end of its life without extra cost, go to one of our Dealerships or Fiat-authorized collection and scrapping centres.

These centres have been carefully chosen to offer high quality service for the collection, treatment and recycling of unused vehicles with respect to the environment.

You can find further information on these collection and scrapping centres either from a Fiat or Fiat Commercial Vehicle Dealership or by calling the freephone number 00800 3428 0000 or by going on the Fiat website.

(\*) Vehicle for transporting passengers with a maximum of nine seats and a total permitted weight of 3.5 t

KNOWING  
YOUR  
VEHICLE

SAFETY

STARTING  
AND DRIVING

WARNING LIGHTS  
AND MESSAGES

IN AN  
EMERGENCY

SERVICING  
AND CARE

**TECHNICAL  
SPECIFICATIONS**

CONTENTS



# SELENIA<sup>®</sup>

***In the heart of your engine.***



Always ask your mechanic for **SELENIA<sup>®</sup>**

*Oil change? The experts recommend Selenia*

*The engine of your car is factory filled with **Selenia**. This is an engine oil range which satisfies the most advanced international specifications. Its superior technical characteristics allow **Selenia** to guarantee the **highest performance and protection of your engine**.*

---

*The Selenia range includes a number of technologically advanced products:*

**SELENIA K PURE ENERGY**

Synthetic lubricant designed for latest generation, low emission, petrol engines. Its specific formulation warrants the utmost protection also for high performance turbocharged engines with high thermal stress. Its low ash content helps to maintain the total cleanliness of modern catalyts.

**SELENIA WR PURE ENERGY**

Fully synthetic lubricant that can meet the requirements of the latest diesel engines. Low ash content to protect the particulate filter from the residual products of combustion. High Fuel Economy System that allows considerable fuel saving. It reduces the danger of dirtying the turbine to ensure the protection of increasingly high performance diesel engines

**SELENIA MULTIPOWER**

Particularly ideal for the protection of new generation petrol engines, very effective even in the most severe weather conditions. It guarantees a reduction in fuel consumption (Energy conserving) and it is also ideal for alternative engines.

**SELENIA SPORT**

Fully synthetic lubricant capable of meeting the needs of high performance engines. Studied to protect the engine also in high thermal stress conditions, it prevents deposits on the turbine to achieve the utmost performance in total safety.

**The range also includes Selenia StAR Pure Energy, Selenia Racing, Selenia K, Selenia WR, Selenia 20K, Selenia 20K AR. For further information on Selenia products visit the web site [www.selenia.com](http://www.selenia.com).**

---



# CONTENTS

<b>ABS</b> .....	103	– extending the boot.....	94	Changing a wheel .....	176
ABS system .....	103	– parcel shelf (removing) .....	96	– general information and	
Additional brake light		– removing the parcel shelf.....	96	warnings.....	176
– bulb replacement .....	194	– unlocking with remote control..6		– tyre inflation pressure .....	245
Adjusting the lighting inside the car	18	Boot courtesy light.....	197	– tyre and rim types .....	244
Adjusting the mirrors .....	44	Brake fluid		Changing bulbs	
Adjusting the seats .....	39-41	– checking and topping up.....	224	– bulb types .....	186
Adjusting the steering wheel .....	43	– specifications.....	252	– general information .....	186
Air conditioning controls.....	52-56	Brake lights		– inside .....	195
Air filter .....	225	– bulb replacement .....	193-194	– outside .....	189
Air recirculation .....	51-55-58	Brakes		Chassis (marking) .....	236
Air vents.....	48	– brake fluid (type).....	252	Checking engine oil .....	220
Ashtray.....	78	– checking and topping		– consumption .....	221
ASR function / system .....	107	up fluid level .....	224	– engine oil specifications .....	251
Automatic climate control.....	56	– handbrake.....	152	Checking levels .....	217
		– technical specifications.....	241	– brake fluid .....	224
<b>Battery</b>		Bulbs		– engine cooling fluid .....	222
– jump starting.....	175	– bulb types.....	186-187-188	– engine oil .....	221
– maintenance .....	225	– general information on		– windscreen/rear window	
– replacement .....	226	replacing.....	186	washer fluid .....	223
– tips for extending life .....	226	<b>Capacities</b>		Child safety .....	84
Bodywork		– technical specifications		Child safety device .....	87
– bodywork version codes.....	237	(quantities).....	250	Child seats .....	138
– cleaning, care and maintenance..	231	Capacity for installing child seats.....	138	– capacity for installing child	
Bodywork codes .....	237	Car dimensions .....	246	seats .....	138
Bodywork versions .....	237	Car identification data .....	235	– suitability for using child seats .....	137
Bonnet		Carrying children .....	134	Children (carrying them safely) .....	134
– opening/closing .....	97-98-99	Catalytic converter .....	128	– acity for installing an Isofix	
Boot.....	92	Central locking .....	73	child seat .....	138
– emergency unlocking from				Cigarette lighter .....	78
the inside.....	94				

KNOWING  
YOUR  
VEHICLE

SAFETY

STARTING  
AND DRIVING

WARNING LIGHTS  
AND MESSAGES

IN AN  
EMERGENCY

SERVICING  
AND CARE

TECHNICAL  
SPECIFICATIONS

**CONTENTS**

KNOWING  
YOUR  
VEHICLE

## Cleaning and maintenance

- bodywork ..... 231
- engine compartment ..... 233
- fabric seats ..... 234
- interiors ..... 233
- leather upholstery ..... 234
- windows ..... 233
- plastic parts ..... 234

SAFETY

- Climate control ..... 53
- air vents ..... 47-48

STARTING  
AND DRIVING

- Clock
- adjusting ..... 30

- Clutch
- technical specifications ..... 240

- CO<sub>2</sub> emissions at exhaust ..... 254

- CODE card ..... 5

- Control buttons ..... 71

- Cruise Control ..... 66

WARNING LIGHTS  
AND MESSAGES

- Dashboard ..... 3-265

- Deactivating airbags ..... 36-143

- Dead lock ..... 86

- Defrosting/demisting

- rear window ..... 51-55-72
- windscreen and front  
side windows ..... 50-54-57

- Demisting/defrosting

- rear window ..... 51-55-72
- windscreen and front  
side windows ..... 50-54-57
- wing mirrors ..... 51-55-58

- Digital display ..... 17

- control buttons ..... 18
- setup menu ..... 18
- standard screen ..... 17

## Dipped beam headlights

- bulb replacement ..... 190
- switching on ..... 61

## Direction indicators

- switching on ..... 62
- front bulb replacement ..... 191
- rear bulb replacement ..... 193
- side bulb replacement ..... 192

- Disposing of the car ..... 255

- Door locks ..... 73

## Doors

- central locking ..... 73
- child safety device ..... 87
- locking/unlocking  
from the inside ..... 73-84
- remote control ..... 6
- remote locking/unlocking ..... 6

- DPF (particulate filter) ..... 128

- Driving economically ..... 154

- Electrical/electronic devices ..... 124

- Emergency rear door locking  
device ..... 88

- Emergency starting ..... 175

- bump starting ..... 176
- jump starting ..... 175

- End of vehicle life ..... 255

## Engine

- engine immobiliser (Fiat CODE) .. 4
- identification codes ..... 237
- marking ..... 236
- technical specifications ..... 238
- Engine codes ..... 237

## Engine compartment

- checking levels ..... 217
- opening/closing the bonnet ..... 97
- washing ..... 233

## Engine coolant

- checking levels and topping up ... 222
- specifications ..... 252
- temperature gauge and  
warning light ..... 16
- type of coolant ..... 222

- Engine immobiliser (Fiat CODE) ..... 4

- Engine marking ..... 236

## Engine oil

- checking levels and topping up ... 220
- consumption ..... 220
- specifications ..... 251

## Environment

- devices for reducing emissions .. 127

- EOBD system ..... 109

- ESP system ..... 105

- Extending the boot ..... 94

- Exterior lights (switching on) ..... 61

- Extinguisher ..... 81

- Fiat CODE system ..... 4

- Fix&Go automatic  
(quick tyre repair kit) ..... 181

- Flashing (main beams) ..... 61

- Fluids and lubricants  
(specifications) ..... 251

## Fog lights

- bulb replacement ..... 192
- switching on ..... 71

CONTENTS

Follow Me Home (headlight device) .....	62	Fuel reserve .....	167	Headrests	
Front airbags .....	141	Fuel supply (technical specifications) .....	240	– front .....	42
– disabling .....	143	Fuel tank (capacity) .....	250	– rear .....	43
– driver .....	142	Fuel tank cap .....	126	Heated rear window .....	51-55-72
– passenger .....	142	Fuse boxes (location)..	200-201-202-268	Heating and ventilation system .....	47
Front armrest .....	76	Fuse list .....	203-204-205	Heavy-duty use of the car .....	216
Front ceiling light .....	68	Fuse replacement		Hill Holder (system) .....	106
– bulb replacement .....	195	– list .....	203-204-205	Hydraulic Brake Assist .....	105
Front fog lights		– general information and warnings .....	198	Ignition lock .....	11
– bulb replacement .....	192	– location .....	200-201-202-268	Ignition switch and steering lock .....	11-12
– switching on .....	71	Fuses .....	203-204-205	Ignition .....	11
Front light clusters		– general information and warnings .....	198	<b>In an emergency</b> .....	175
– bulb arrangement .....	189	– location .....	200-201-202-268	Installing electrical/electronic devices .....	124
Front seats .....	39	<b>Gear lever</b> .....	153	– radio transmitters and mobile phones .....	125
– adjusting .....	39	Gearbox .....	153	Installing the tow hook .....	157
– armrest .....	76	– technical specifications .....	240	Instrument panel .....	13-266-267
– cleaning .....	234	Glove compartment .....	74	Interior lighting .....	68
– headrests .....	42	<b>Handbrake</b> .....	152	Interiors (cleaning) .....	233
– heating .....	41	Hazard warning lights		Internal equipment .....	74
Fuel		– switching on .....	71	Internal features .....	74
– fuel cut-off (system) .....	73	Headlight alignment corrector .....	101	Isofix Universale (child seat)	
– consumption .....	253	Headlights .....	101	– capacity for installing child seats .....	138
– fuel tank cap .....	126	– alignment corrector .....	101	– suitability for the child seats .....	140
– gauge and warning light .....	15	– bulbs (type) .....	188	Jack	
– opening the flap .....	126	– bulb replacement .....	186	– usage .....	178
– refuelling the car .....	125	– light beam direction .....	101	– warnings .....	177
– specifications .....	238-239	– adjusting headlights abroad .....	102		
Fuel cut-off system .....	73	– bulb replacement .....	186		
Fuel economy .....	154				
Fuel flap .....	126				
Fuel gauge .....	15				
– type of fuel .....	125-238				

KNOWING  
YOUR  
VEHICLE

SAFETY

STARTING  
AND DRIVING

WARNING LIGHTS  
AND MESSAGES

IN AN  
EMERGENCY

SERVICING  
AND CARE

TECHNICAL  
SPECIFICATIONS

CONTENTS

KNOWING  
YOUR  
VEHICLE

<b>Keys</b> .....	5
– key with remote control .....	6
– key without remote control ....	9
– opening/closing doors remotely...	6
– requesting additional remote control keys .....	8
– replacing remote control battery .....	8
<b>Knowing your vehicle</b> .....	3

SAFETY

STARTING  
AND DRIVING

<b>Lights</b>	
(controls to switch on) .....	61-71
Load limiters .....	131
Long periods of inactivity .....	160
Lubricant specifications .....	251-252

WARNING LIGHTS  
AND MESSAGESIN AN  
EMERGENCY

<b>Main beam headlights</b>	
– bulb replacement .....	190
– switching on .....	61
<b>Main beam headlights</b>	
– bulb replacement .....	190
– flashing .....	61
– switching on .....	61

SERVICING  
AND CARETECHNICAL  
SPECIFICATIONS

Manual climate control .....	52
Maximum speeds .....	247
Mechanical Brake Assist .....	103
<b>Mirrors</b>	
– rear-view .....	44
– wing .....	45
MSR system .....	108
Multifunctional display .....	23
– setup menu .....	26

<b>Nozzles</b>	
– windscreen/rear window/ headlamp washer .....	230
Number plate lights	
– bulb replacement .....	194
<b>Odometer</b> .....	15
On-board computer (trip) .....	37
On-board instruments (panel) .....	13

<b>Paintwork (maintenance)</b> .....	232
– bodywork colour plate .....	236
Paintwork plate .....	236
Parafllu <sup>UP</sup>	
– checking levels and topping up ...	222
– specifications .....	252
Parking sensors .....	120
Particulate filter (DPF) .....	128
Performance .....	247
Pollen filter .....	225
Protecting the environment .....	127
– particulate filter (DPF) .....	128
<b>Punctures</b>	
– changing a wheel .....	176
– Fix&Go automatic quick tyre repair kit .....	181
– general information .....	176

<b>Quick tyre repair kit</b> (Fix&Go automatic) .....	181
--	-----

<b>Radio transmitters and mobile</b> phones .....	125
--	-----

<b>Raising the car</b>	
– with the jack .....	177
– with the lift arms .....	207
– with the workshop lift .....	208
Rear ceiling lights .....	68
– bulb replacement .....	196
Rear fog light .....	72
– bulb replacement .....	194
– switching on .....	72
Rear light clusters	
– bulb replacement .....	193
Rear seats	
– cleaning .....	234
– headrests .....	43
Rear window washer .....	65
– activating .....	65
– checking levels and topping up ...	252
– nozzle .....	231
Rear window wiper	
– activating .....	65
– blade replacement .....	230
– rear window washer fluid specifications .....	252
Reconfigurable multifunctional display .....	24
– control buttons .....	25
– setup menu .....	26
– standard screen .....	24
Regular checks .....	216
Remote control .....	6
– additional remote controls .....	8
– battery replacement .....	7
– opening/closing doors remotely .....	6
– opening the tail gate .....	6

CONTENTS

Replacing battery of key with remote control .....	7	– general information .....	147	Switching ceiling lights on/off .....	68
Rev counter .....	15	Side lights/taillights		Symbols .....	4
Reverse light		– front bulb replacement .....	189		
– bulb replacement .....	194	– rear bulb replacement .....	193	<b>Tail gate</b>	
Right hand drive version .....	265	– switching on .....	61	– emergency unlocking from the inside .....	94
Rim protector /tyres).....	243	Smart washing (windscreen wipers) .....	64	– unlocking with remote control ..	6
Roof bar attachments .....	99	Snow chains .....	159	<b>Technical specifications</b> .....	235
Rubber tubes .....	229	Sockets .....	80	Third brake light .....	194
		Spare wheel .....	176	Topping up engine oil .....	220
		– technical specifications .....	244	– specifications .....	251
<b>Safety</b> .....	129	Spark plugs (type) .....	238-239	Tow hook	
Satellite navigation socket .....	124	Speedometer .....	15	– installing .....	207
SBR system .....	130	– standard screen .....	23	Towing the car .....	208
Scheduled servicing plan .....	212-214	Start&Stop system .....	115	Towing trailers .....	156
Scrappage .....	255	<b>Starting and driving</b> .....	149	Trailer (towing) .....	156
Seat belt pretensioners .....	131	Starting the engine .....	149	– installing the tow hook .....	157
– load limiters .....	131	– emergency starting .....	175	Transmission	
Seat belts .....	129	– ignition switch .....	11	– technical specifications .....	240
– carrying children safely .....	134	– procedure for diesel versions ....	150	Trip computer .....	37
– general information .....	132	– procedure for petrol versions ....	149	Turning circle .....	241
– load limiters .....	131	– stopping the engine .....	151	Tyre pressures .....	245
– maintenance .....	225	– warming the engine .....	151	Tyres	
– pretensioners .....	131	Steering lock .....	12	– changing a wheel .....	156
– SBR .....	130	Steering system		– Fix&Go automatic quick repair kit .....	181
– using the seat belts .....	129	– technical specifications .....	241	– in the event of a puncture .....	176
Seat heating .....	41	– steering wheel adjustment lever....	43	– inflation pressure .....	245
<b>Servicing and care</b> .....	211	Steering wheel		– reading the tyre .....	243
– checking fluid levels .....	217	– adjustment lever .....	43	– rim protector.....	243
– heavy-duty use of the car .....	216	– turning circle .....	241	– snow chains .....	159
– regular checks .....	216	Steering wheel stalks .....	61-63	– storing toolbox and spare wheel .....	177
– scheduled servicing plan.....	212-214	Stereo (wiring) .....	122	– winter .....	244
Setting the clock .....	21-30	Storage compartments .....	74	– tyre and rim types .....	244
Side bags		Sun visors .....	79		
– side bag / window bag ...	144-145-146	Suspensions .....	241		

KNOWING  
YOUR  
VEHICLE

SAFETY

STARTING  
AND DRIVING

WARNING LIGHTS  
AND MESSAGES

IN AN  
EMERGENCY

SERVICING  
AND CARE

TECHNICAL  
SPECIFICATIONS

**CONTENTS**



KNOWING  
YOUR  
VEHICLE

Using the gearbox ..... 153

Vehicle identification plates ..... 235

Vehicle identification ..... 235

Vehicle inactivity ..... 160

Vehicle lifting points ..... 207

Vehicle weights ..... 248

SAFETY

**Warning lights and messages**..... 61

Washer fluid for windscreen/  
rear window

– checking and topping up ..... 223

– specifications ..... 252

Washing the car

– engine compartment ..... 233

– inside ..... 233

– outside ..... 232

Wheel geometry ..... 242

Wheel rims ..... 244

– reading ..... 243

Wheels and tyres

– changing a wheel ..... 176

– Fix&Go automatic quick  
repair kit ..... 181

– geometry ..... 242

– in the event of a puncture.... 76-181

– reading the tyre ..... 242

– snow tyres ..... 244

– snow chains ..... 159

– tyre inflation pressure ..... 245

– tyre and rim types ..... 244

– winter tyres ..... 244

When parked ..... 152

STARTING  
AND DRIVING

WARNING LIGHTS  
AND MESSAGES

IN AN  
EMERGENCY

SERVICING  
AND CARE

TECHNICAL  
SPECIFICATIONS

CONTENTS

Windows

– cleaning ..... 63-229-233

– electric ..... 89

– manual rear ..... 91

– windscreen washer fluid

(specifications) ..... 252

Windscreen washer

– activating ..... 63

– checking levels and

topping up ..... 223

– nozzles ..... 230

– "smart washing" function ..... 64

– windscreen washer fluid

specifications ..... 252

Windscreen wiper blades

– replacing ..... 229

Windscreen wipers

– activating ..... 63

– nozzles ..... 230

– replacing wiper blades ..... 230

– windscreen washer fluid

specifications ..... 252

Winter

– snow chains ..... 159

– snow tyres ..... 159

Wiring for stereo ..... 122

# RIGHT HAND DRIVE VERSION

## DASHBOARD

The presence and position of the controls, the instruments and the indicators may vary according to the versions.

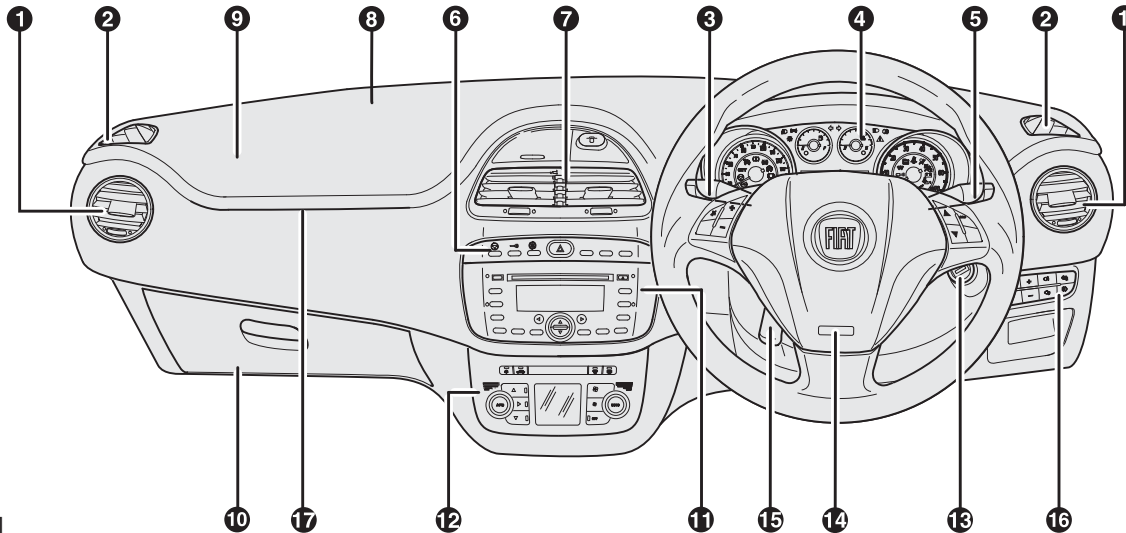


fig. 221

F0U0531m

1. Adjustable side air vents - 2. Fixed side air vents - 3. Left-hand lever: exterior lights control - 4. Instrument panel - 5. Right-hand lever: front and rear windscreen wiper controls, trip computer - 6. Controls on dashboard - 7. Adjustable central air vents - 8. Fixed upper air vent - 9. Front airbag, passenger side - 10. Glove compartment - 11. Sound system (for versions/markets where provided) - 12. HVAC controls - 13. Ignition - 14. Front airbag, driver's side - 15. Steering wheel adjustment lever - 16. Control panel: headlight position adjustment/digital display/multifunction display - 17. Light-guiding plate.

## INSTRUMENT PANEL

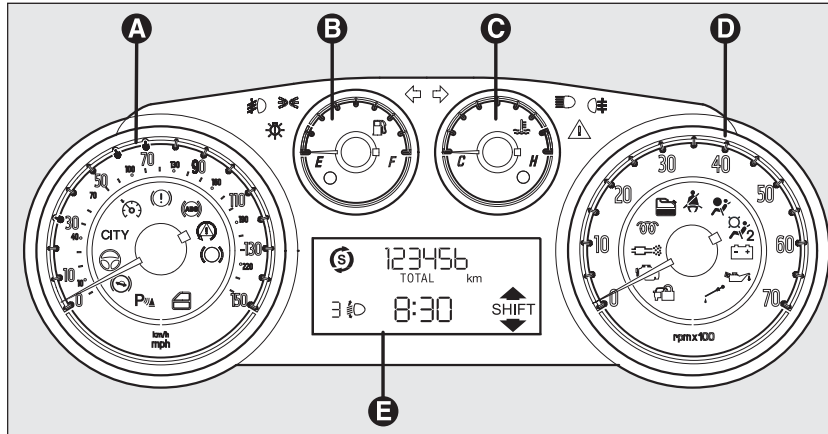


fig. 222

FOU0527m

## Versions with digital display

- A Speedometer
- B Fuel level gauge with reserve warning light
- C Engine coolant temperature gauge with overheating warning light
- D Rev counter
- E Digital display

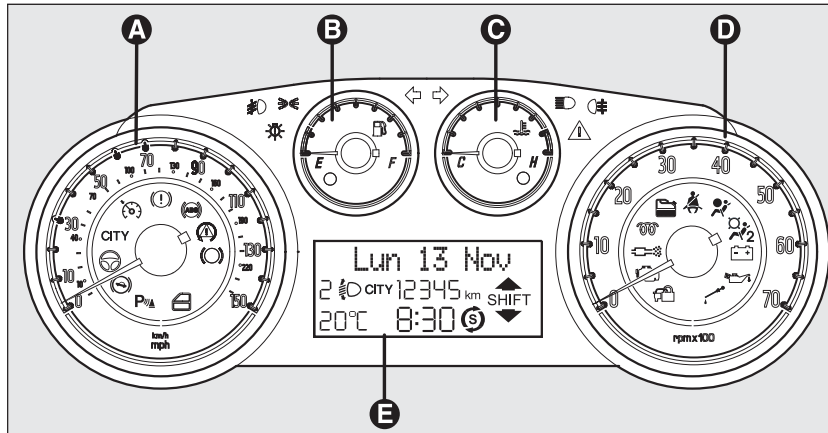


fig. 223

FOU0528m

## Versions with multifunction display

- A Speedometer
- B Fuel level gauge with reserve warning light
- C Engine coolant temperature gauge with overheating warning light
- D Rev counters
- E Multifunction display

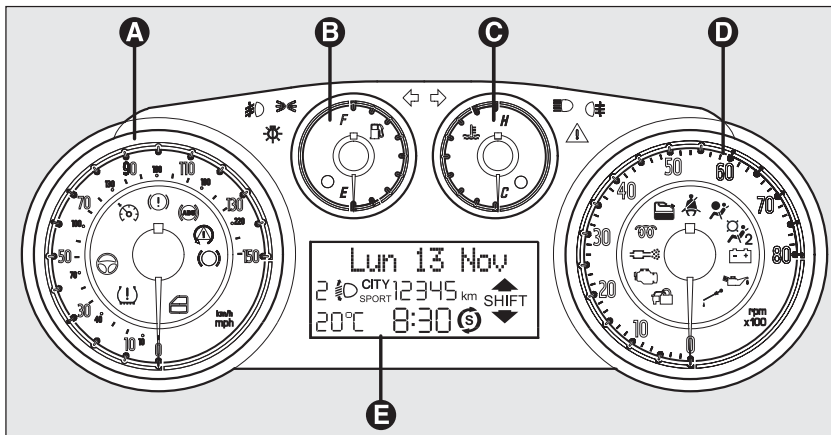


fig. 224

F0U0529m

### Sport versions (with multifunction display)

- A Speedometer
- B Fuel level gauge with reserve warning light
- C Engine coolant temperature gauge with overheating warning light
- D Rev counter
- E Multifunction display

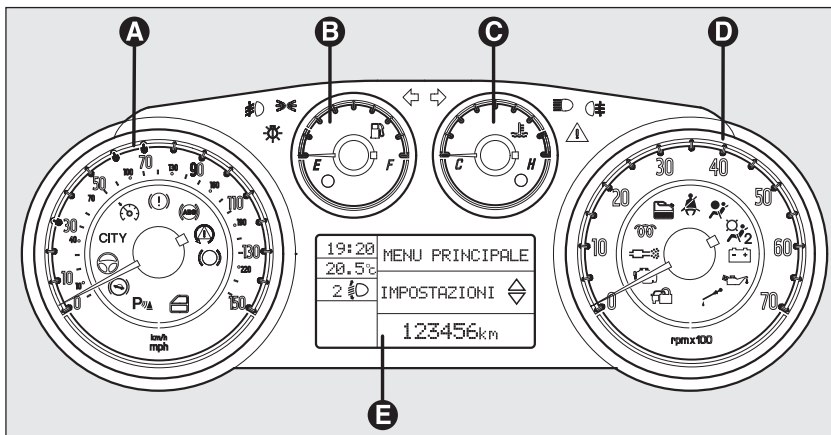


fig. 225

F0U0530m

### Versions with reconfigurable multifunction display

- A Speedometer
- B Fuel level gauge with reserve warning light
- C Engine coolant temperature gauge with overheating warning light
- D Rev counters
- E Reconfigurable multifunction display

## ACCESS TO DASHBOARD FUSE BOX

To access the dashboard fuse box fig. 226, open the glove compartment.

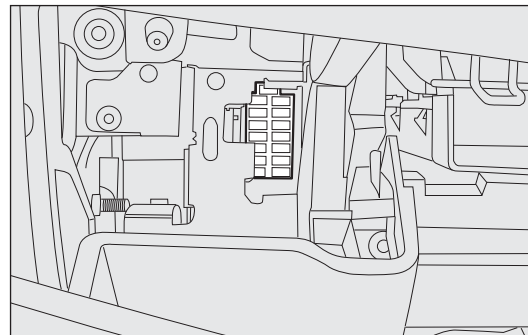


fig. 226

F0U0532m



The data contained in this publication is intended merely as a guide. FIAT reserves the right to modify the models and versions described in this booklet at any time for technical and commercial reasons.

If you have any further questions please consult your FIAT dealer.

Printed in recycled paper without chlorine.